

John Deere > Construction And Forestry >DOZER, CRAWLER >950C - DOZER, CRAWLER >950C Crawler Dozer (Worldwide Edition) >04 ENGINE >0404 CYLINDER BLOCK >ST121021 - ENGINE CYLINDER BLOCK WITH BEARING CAPS, FROST PLUGS, AND SEALS

KEY	PART NO.	PART NAME	QTY	REMARKS
1	AT276710	CYLINDER BLOCK	1	
2	AT274036	PLUG	6	
3	AT274044	PLUG	4	
4	AT260902	RING	4	
5	AT274067	PIPE PLUG	4	
6	AT301942	SEALING RING	9	SUB FOR AT274551
7	PMH3075	FITTING	9	SUB FOR AT274648
7	XED10X1X	FITTING	1	
8	AT274600	SEAL	2	
9	PMH3085	FITTING	2	SUB FOR AT274552 OR LW7362698
9	PMH3831	FITTING	1	
10	AT274018	SEAL	1	
11	PMH3803	FITTING	1	SUB FOR AT261789
11	PMH3829	FITTING	1	
12	AT279894	ORIFICE	12	
13	AT274043	PLUG	2	
14	AT274041	SPRING PIN	12	
15	AT275334	BOLT	14	
16	AT275341	SPACER	14	
18	AT275296	BUSHING	7	

**<https://www.ebooklibonline.com>**

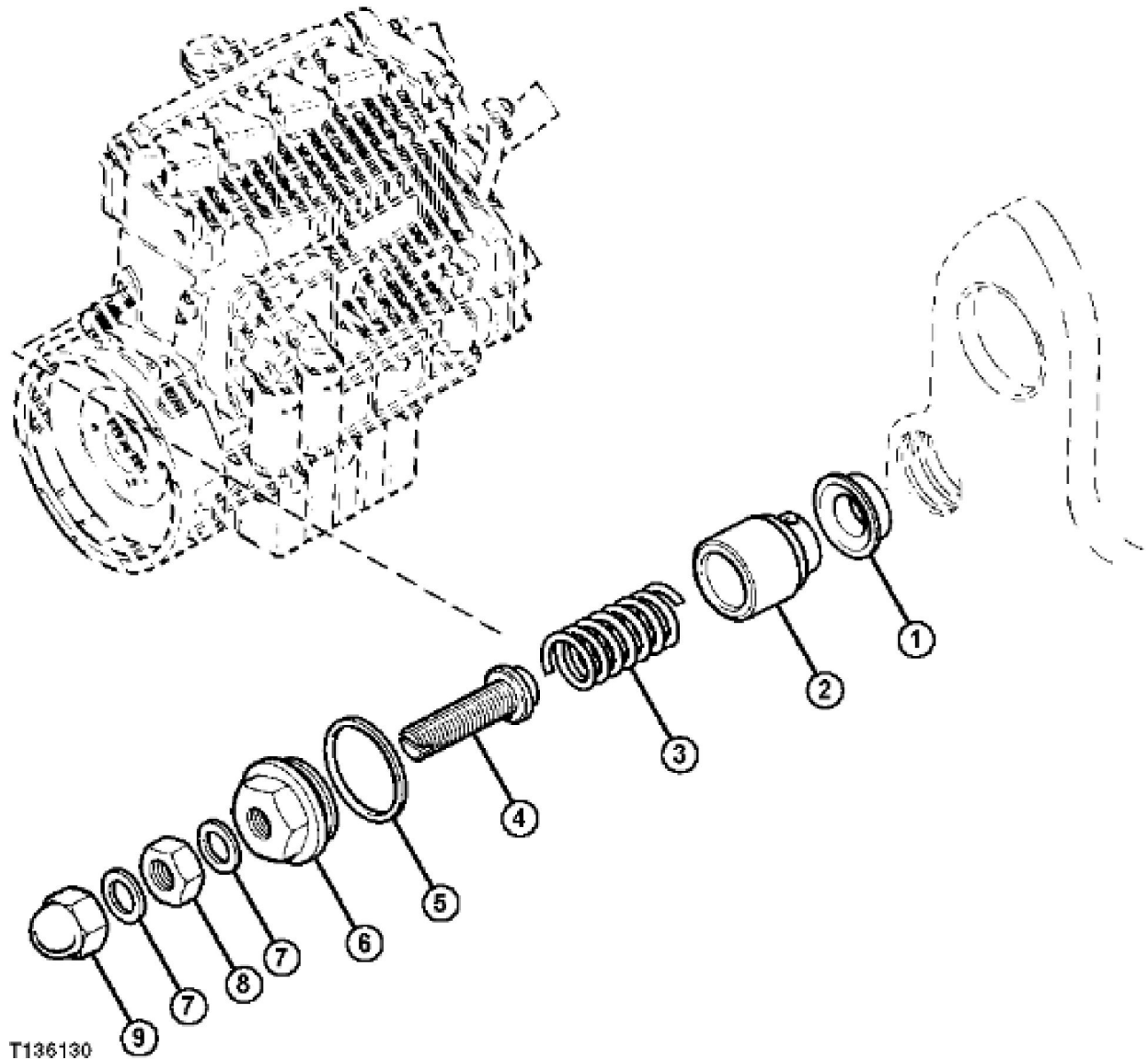
Hello dear friend!

Thank you very much for reading.

Enter the link into your browser.

The full manual is available for immediate download.

**<https://www.ebooklibonline.com>**



T136130

## PRESSURE REGULATING VALVE

KEY	PART NO.	PART NAME	QTY	REMARKS	
1	AT275298	VALVE SEAT	1		
2	AT275305	PISTON	1		
3	AT275316	COMPRESSION SPRING	1		
4	AT275346	BOLT	1		
5	AT218825	SEALING WASHER	1		
6	AT275345	PIPE PLUG	1		
7	AT218823	SEALING WASHER	2		
8	AT275308	NUT	1		
9	AT274096	NUT	1		



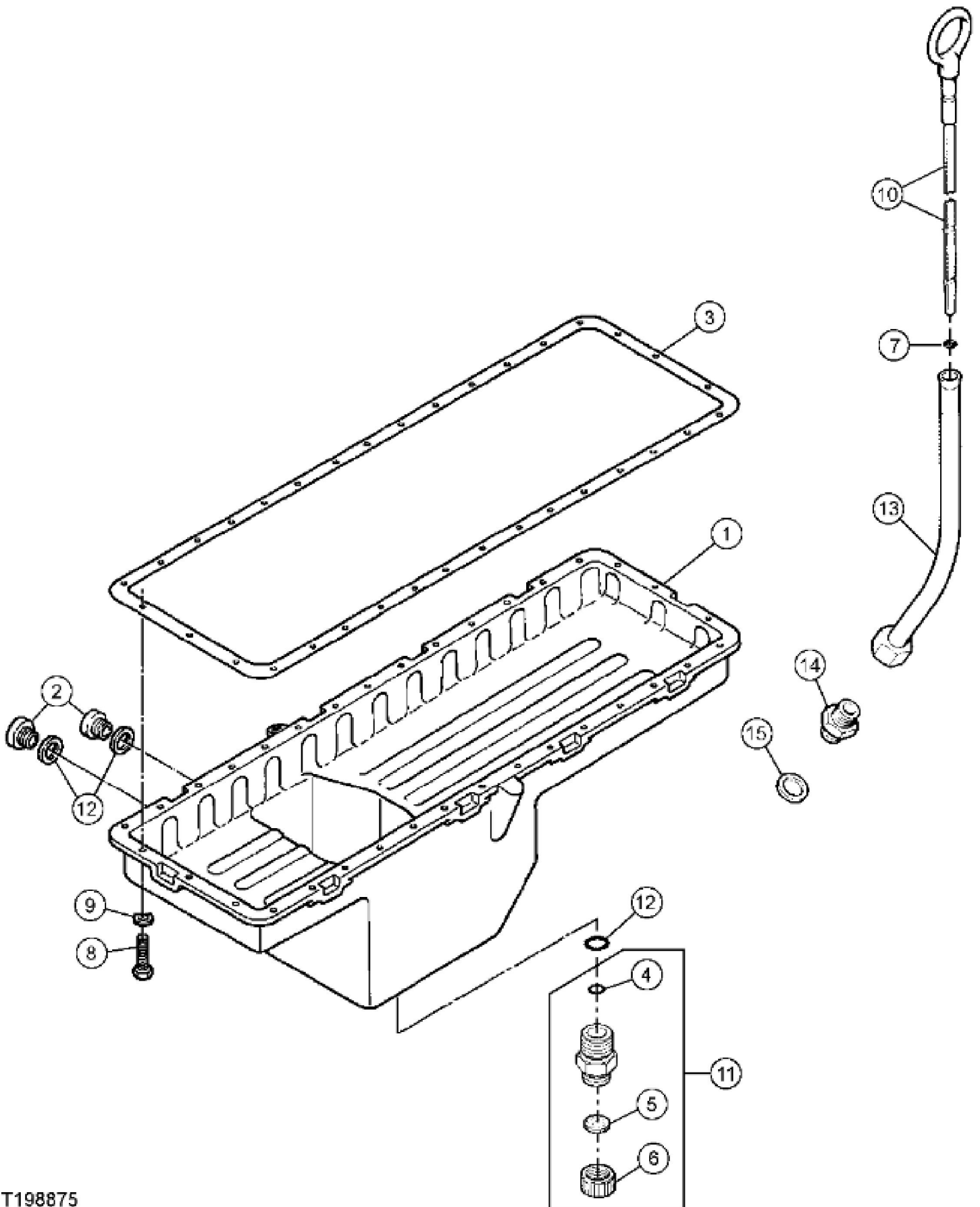
**Suggest:**

**For more complete manuals. Please go to the home page.**

**<https://www.ebooklibonline.com>**

**If the above button click is invalid. Please download this document first, and then click the above link to download the complete manual.**

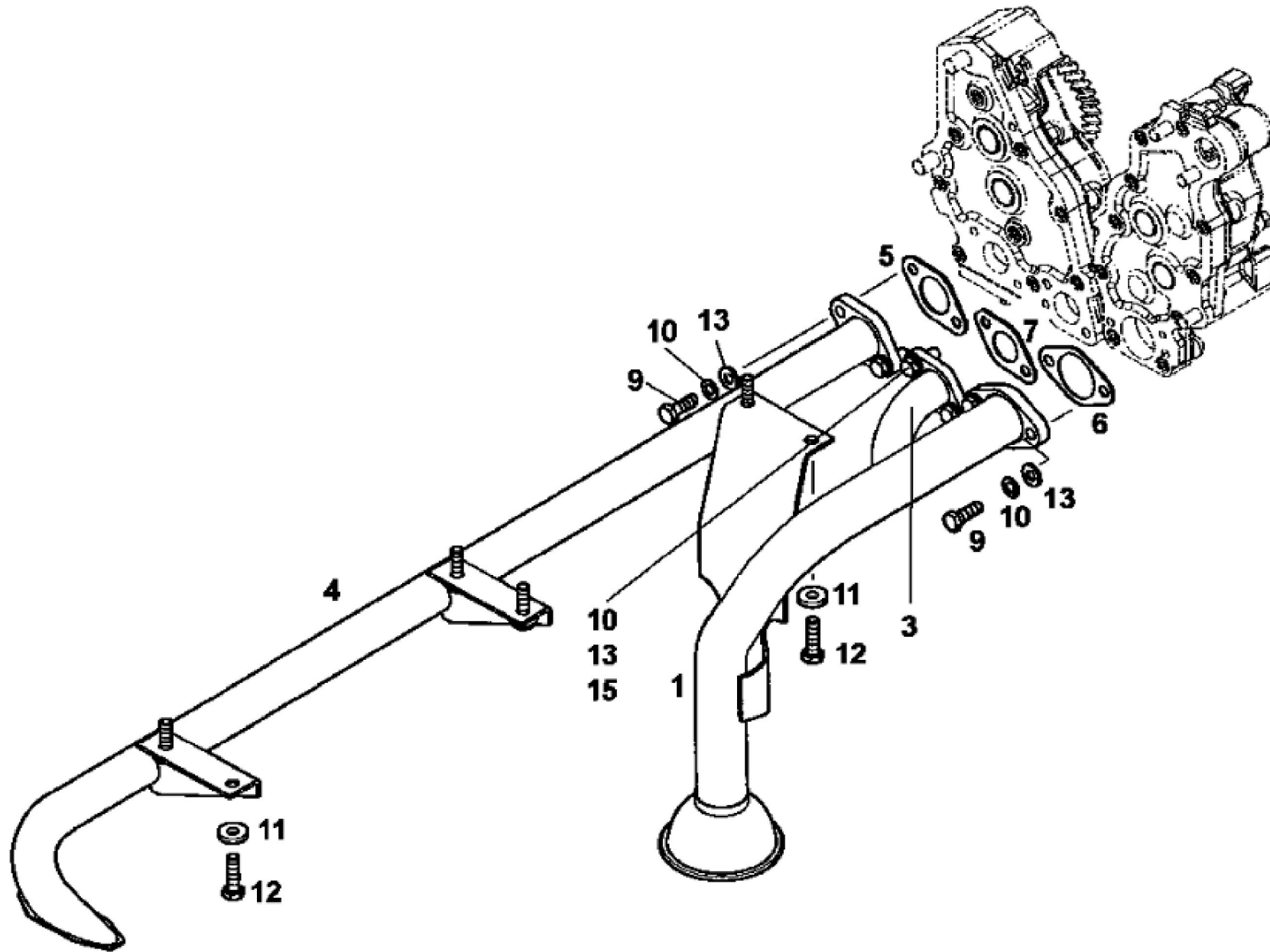
**Thank you so much for reading**



T198875

John Deere > Construction And Forestry >DOZER, CRAWLER >950C - DOZER, CRAWLER >950C Crawler Dozer (Worldwide Edition) >04 ENGINE >0407 ENGINE OILING SYSTEM >ST121023 - ENGINE OIL PAN,DIPSTICK AND DIPSTICK TUBE

KEY	PART NO.	PART NAME	QTY	REMARKS
1	AT265316	OIL PAN	1	
1	AT275303	TUBE KIT	3	(OIL PAN REPAIR)
2	AT320706	DRAIN PLUG	2	(SUB FOR AT277080, THIS APPLICATION)(ESN -2004000000)
2	AT320741	DRAIN PLUG	2	(ESN 2004000001- )
3	AT276417	GASKET	1	
4	R104558	O-RING	1	(SUB FOR AT218828)
5	AT218659	SEALING WASHER	1	
6	AT218722	CAP	1	
7	AT274692	O-RING	1	
8	19M7513	CAP SCREW	34	M8 X 30
9	12M5442	WASHER	34	8.400 X 15 X 0.800 mm
10	AT320257	DIPSTICK	1	
11	AT218506	DRAIN VALVE	1	
12	AT218825	SEALING WASHER	3	(ESN -2004000000)
12	AT218825	SEALING WASHER	1	(ESN 2004000001- )
13	AT275373	DIPSTICK TUBE	1	
14	XGE10LMEDCF	FITTING	1	SUB FOR AT218623
14	PMH3827	FITTING	1	
15	AT260902	RING	1	



T162331

**<https://www.ebooklibonline.com>**

Hello dear friend!

Thank you very much for reading.

Enter the link into your browser.

The full manual is available for immediate download.

**<https://www.ebooklibonline.com>**