

RGP2698

John Deere > Construction And Forestry > EXCAVATOR > 892DLC - EXCAVATOR > 892DLC Excavator > 04 ENGINE 4 6466AT014 > 0402 CAMSHAFT AND VALVE ACTUATING MEANS 6466AT014 6466AT014 > ST297745 - ROCKER ARM COVER AND ENGINE VENTILATOR OUTLET

KEY	PART NO.	PART NAME	QTY	Engine Serial No.	REMARKS
1	TY22450	BULK HOSE	AR		(BULK), (SUB FOR R60753 OR R99793)
2	AR103811	SCREW WITH WASHER	8	____-329283	6.350 X 19.050 mm
2	AR100124	SCREW WITH WASHER	8	329284-____	
3	TY22467	CLAMP	3		(SUB FOR AR21839)
4	T20294	CAP	1		(SUB FOR R50390)
5	T20328	GASKET	1		
6	AR93173	COVER	1		
7	R49866	GASKET	1		
8	R50388	TUBE	1		
9	TY22450	BULK HOSE	1		(BULK), (SUB FOR R79961)
..	AR31790	ADHESIVE	1		

<https://www.ebooklibonline.com>

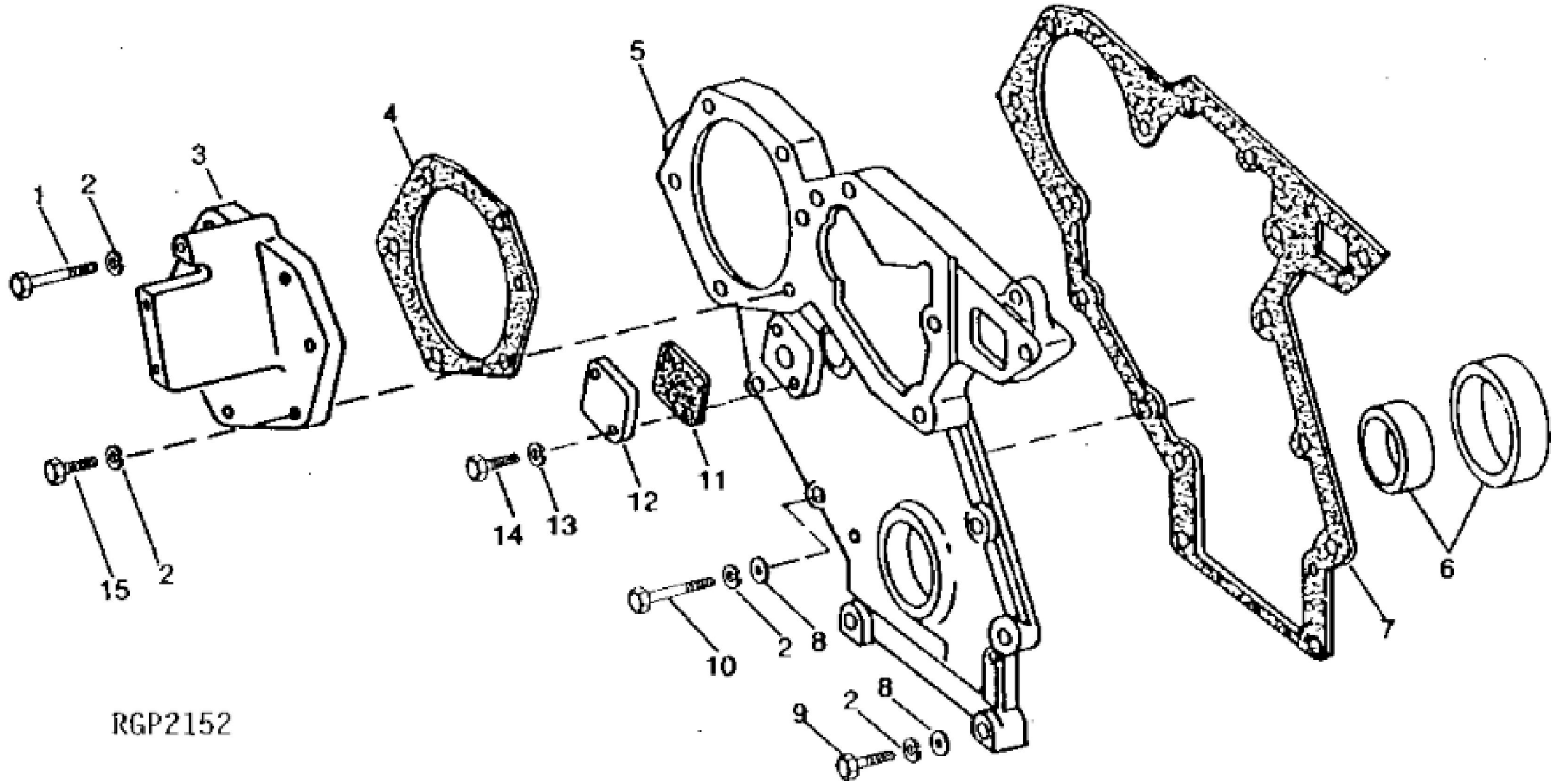
Hello dear friend!

Thank you very much for reading.

Enter the link into your browser.

The full manual is available for immediate download.

<https://www.ebooklibonline.com>



RGP2152

KEY	PART NO.	PART NAME	QTY	REMARKS
1	19H1921	CAP SCREW	5	5/16" X 3-1/4"
2	12H303	LOCK WASHER	6	5/16", (NO LONGER REQUIRED)
3	R79809	COVER	1	
4	R502011	GASKET	1	(SUB FOR R50390)
5	R71316	COVER	1	
6	AR49025	SEAL	1	
7	R71314	GASKET	1	
8	24H1136	WASHER	6	11/32" X 11/16" X 0.065"
9	19H3552	CAP SCREW	4	5/16" X 1-1/2"
10	19H2713	CAP SCREW	2	5/16" X 1-7/8"
11	R67770	GASKET	1	
12	R67769	COVER	1	
13	12H302	LOCK WASHER	2	1/4"
14	19H3239	CAP SCREW	2	3/8" X 1-1/4"
15	19H1849	CAP SCREW	1	5/16" X 1-1/4"



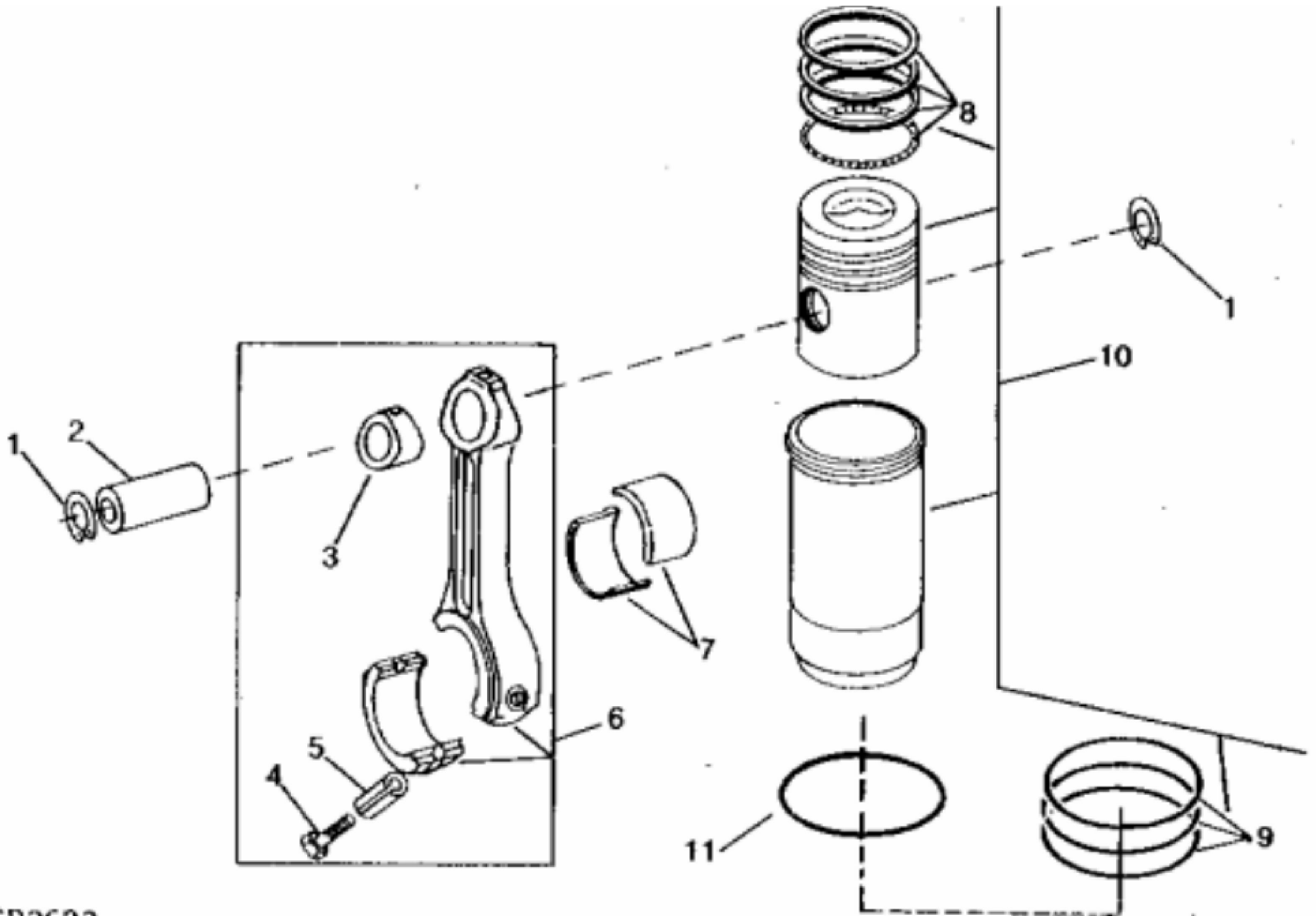
Suggest:

For more complete manuals. Please go to the home page.

<https://www.ebooklibonline.com>

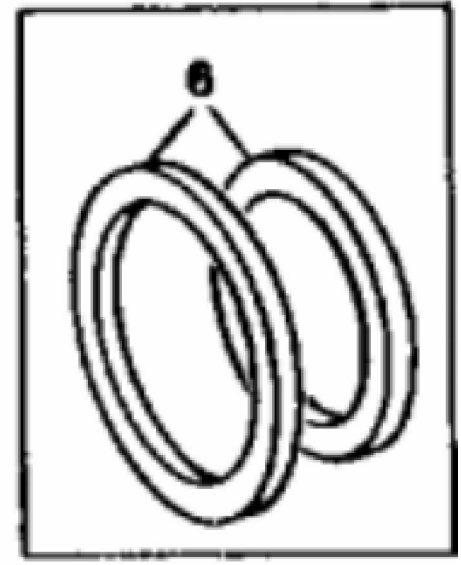
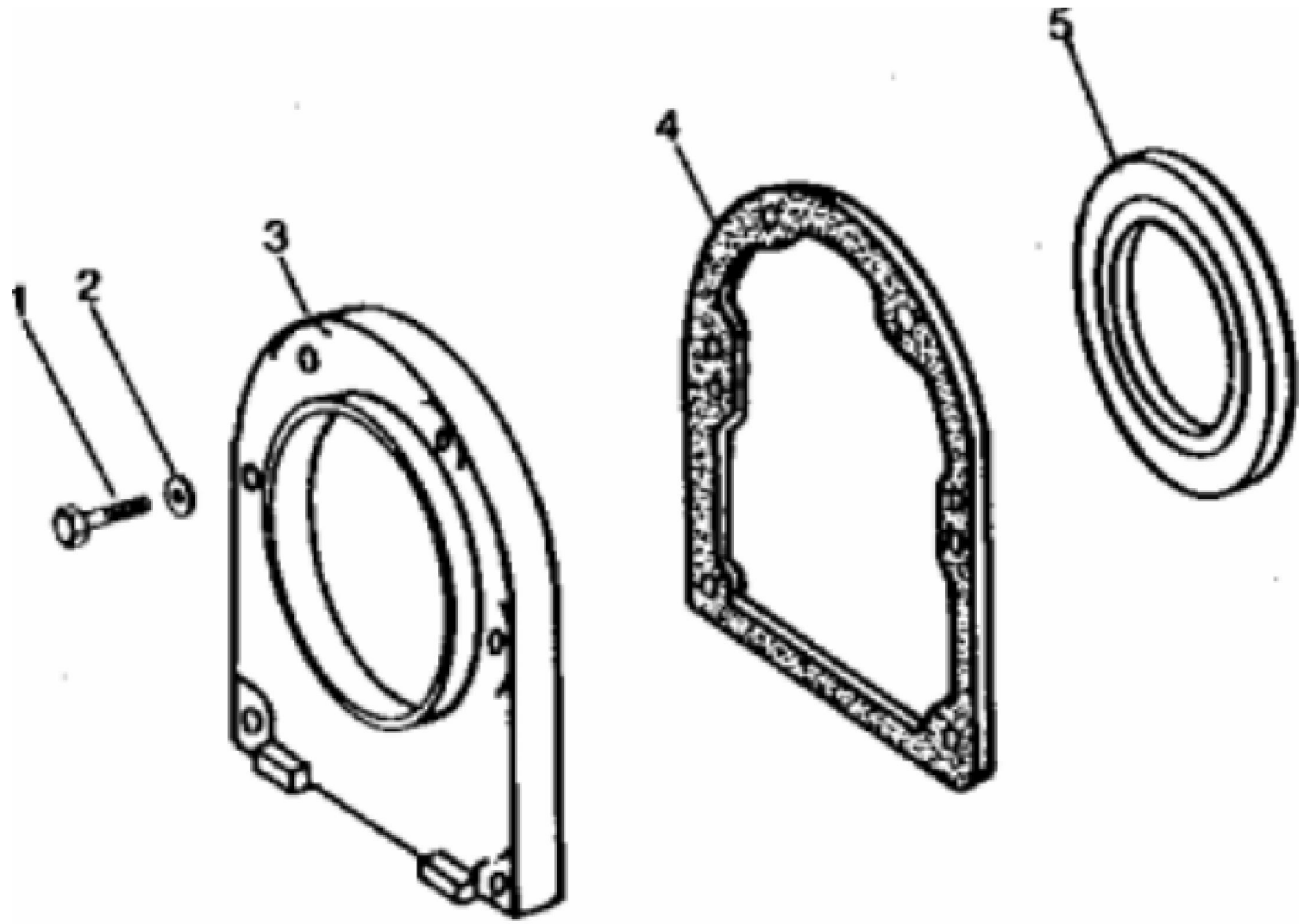
If the above button click is invalid. Please download this document first, and then click the above link to download the complete manual.

Thank you so much for reading



RGP3623

KEY	PART NO.	PART NAME	QTY	REMARKS
1	E1343FN	SNAP RING	12	
2	R57771	PISTON PIN	6	
3	R74008	BUSHING	6	
4	R66452	CAP SCREW	12	
5	R53292	SLEEVE	12	
6	AR93341	CONNECTING ROD	6	NLA (MARKED R71074) (ORDER SE500498)
6	SE500498	CONNECTING ROD REMAN	6	(REMAN FOR AR93341)
7	AR73277	BEARING	AR	STD (PKG (2) R57583)
7	AR73278	BEARING	AR	0.05MM (.002") US (PKG (2) R60485)
7	AR73279	BEARING	AR	0.25MM (.010") US (PKG (2) R60486)
7	AR73280	BEARING	AR	0.51MM (.020") US (PKG (2) R60487)
7	AR73281	BEARING	AR	0.76MM (.030") US (PKG (2) R60488)
8	RE48380	PISTON RING KIT	6	(SUB FOR AR73627) (USE WITH AR98838 OR AR100616)
9	AR98850	O-RING KIT	6	
10	RE60282	PISTON-LINER KIT	6	(MARKED AR100616 OR AR98838) (SUB FOR AR100646)
11	R93948	SHIM	2	0.05MM (.002") (MAX.)
11	R133134	SHIM	1	(FOR CYLINDER HEAD GASKET REPAIR)
..	RE524405	ENGINE OVERHAUL KIT	1	(CONTAINS (6) RE60282 P/L, GSKT KIT, STD BRGS, F/R SEALS & SNAP RINGS) (A/O R66452 ROD BOLTS)
..	RE524416	ENGINE OVERHAUL KIT	1	(CONTAINS (6) RE60282 P/L, (12) R66452 ROD BOLTS, (6) R74008 ROD BSHGS, (6) R57771 PISTON PINS, (4) R46903 CAM BSHGS, GSKT KIT, STD BRGS, F/R SEALS & SNAP RINGS)
..	RE524418	ENGINE OVERHAUL KIT	1	(CONTAINS (6) RE60282 PISTON LINERS, (12) R66452 ROD BOLTS, (6) R74008 ROD BUSHINGS, (6) R57771 PISTON PINS, (4) R46903 CAM BUSHINGS, GASKET KIT, .010" U.S. BEARINGS, FRONT/REAR SEALS & SNAP RINGS)



RGP2352

<https://www.ebooklibonline.com>

Hello dear friend!

Thank you very much for reading.

Enter the link into your browser.

The full manual is available for immediate download.

<https://www.ebooklibonline.com>