

RGP 3362

KEY	PART NO.	PART NAME	QTY	REMARKS
1	R64569	GEAR	1	
2	26H74	SHAFT KEY	1	3/16" X 5/8"
3	M72490	WASHER	2	(SUB FOR R42729)
4	R38614	CAP SCREW	2	(USE WITH R57497 OR R56606)
4	R41920	CAP SCREW	2	(USE WITH R49172) (SUB FOR AR63865)
5	R49173	DOWEL PIN	1	
6	AR69041	HOUSING	1	(MARKED R57497) (SUB FOR AR68312) (ALSO ORDER (2) R38614, (2) M72490 AND (2) R41920)
7	R43434	GEAR	1	(SUB FOR AR70085)
8	AR69042	GEAR	1	(SUB FOR AR70085)
9	19H2127	CAP SCREW	3	5/16" X 7/8"
10	12H303	LOCK WASHER	3	5/16"
11	AR77711	OIL PUMP INTAKE	1	
12	SE500879	OIL PUMP	1	(REMANUFACTURED) (SUB FOR R63025)
13	R46567	SCREW	4	
14	SE500879	OIL PUMP	1	(REMANUFACTURED) (SUB FOR AR80090) (ALSO ORDER M72490 AND R38614) (NOT INCLUDED)

<https://www.ebooklibonline.com>

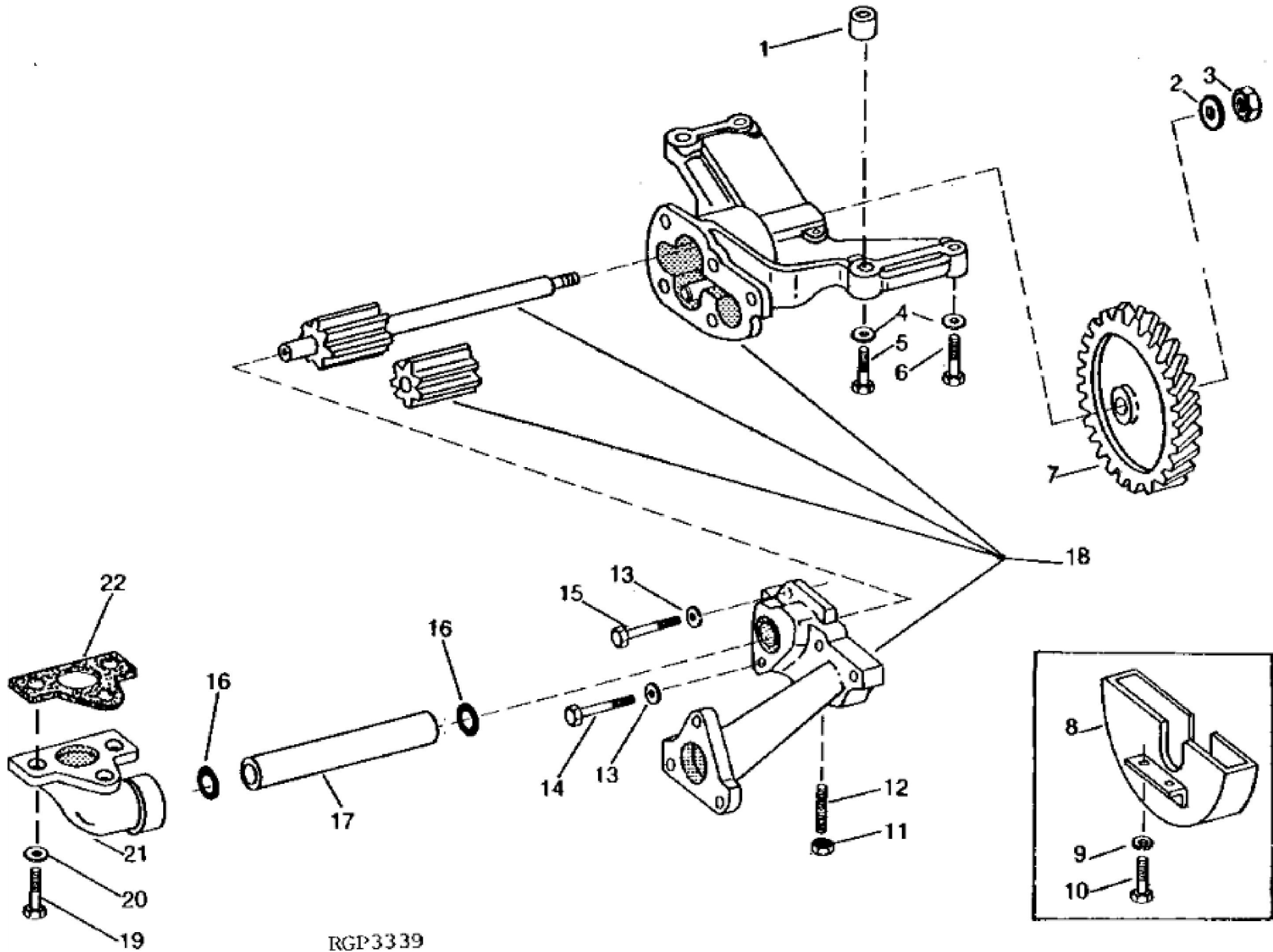
Hello dear friend!

Thank you very much for reading.

Enter the link into your browser.

The full manual is available for immediate download.

<https://www.ebooklibonline.com>



RGP3339

KEY	PART NO.	PART NAME	QTY	Engine Serial No.	REMARKS
1	R500642	BUSHING	2		(SUB FOR R62930, THIS APPLICATION)
2	T21242	WASHER	1		
3	14H826	NUT	1		1/2"
4	R57696	WASHER	4		
5	19H2549	CAP SCREW	2		3/8" X 1-7/8"
6	19H3219	CAP SCREW	2		3/8" X 1-3/8"
7	R62938	GEAR	1		
8	SHIELD	1	____-054879	(NLA)
9	LOCK WASHER	2	____-054879	(NOT REQUIRED)
10	CAP SCREW	2	____-054879	(NOT REQUIRED)
11	14H785	NUT	1		5/16"
12	22H1040	SET SCREW	1		5/16" X 1-1/4"
13	M72490	WASHER	5		(SUB FOR R70234 OR R42729)
14	19H2733	CAP SCREW	2		3/8" X 2-3/8"
15	19H3217	CAP SCREW	3		3/8" X 1-3/4"
16	R71732	O-RING	2		
17	R62947	TUBE	1		
18	AR94479	OIL PUMP	1	____-047796	(SUB SE501063 AND RE43167, THIS APPLICATION) (MARKED R62946 OR R124328)
18	AR99344	OIL PUMP	1	047797-____	(MARKED R62946 OR R124328) (SUB FOR AR96193) (SUB SE501063 AND RE43167, THIS APPLICATION)
18	SE501063	OIL PUMP	1		(MARKED R62946 OR R124328) (REMANUFACTURED) CALL 1-888-697-3626
19	19H3483	CAP SCREW	3		3/8" X 1-1/8"
20	M72490	WASHER	3		(SUB FOR R70234 OR R42729)
21	R62948	ELBOW FITTING	1		
22	R69418	GASKET	1		



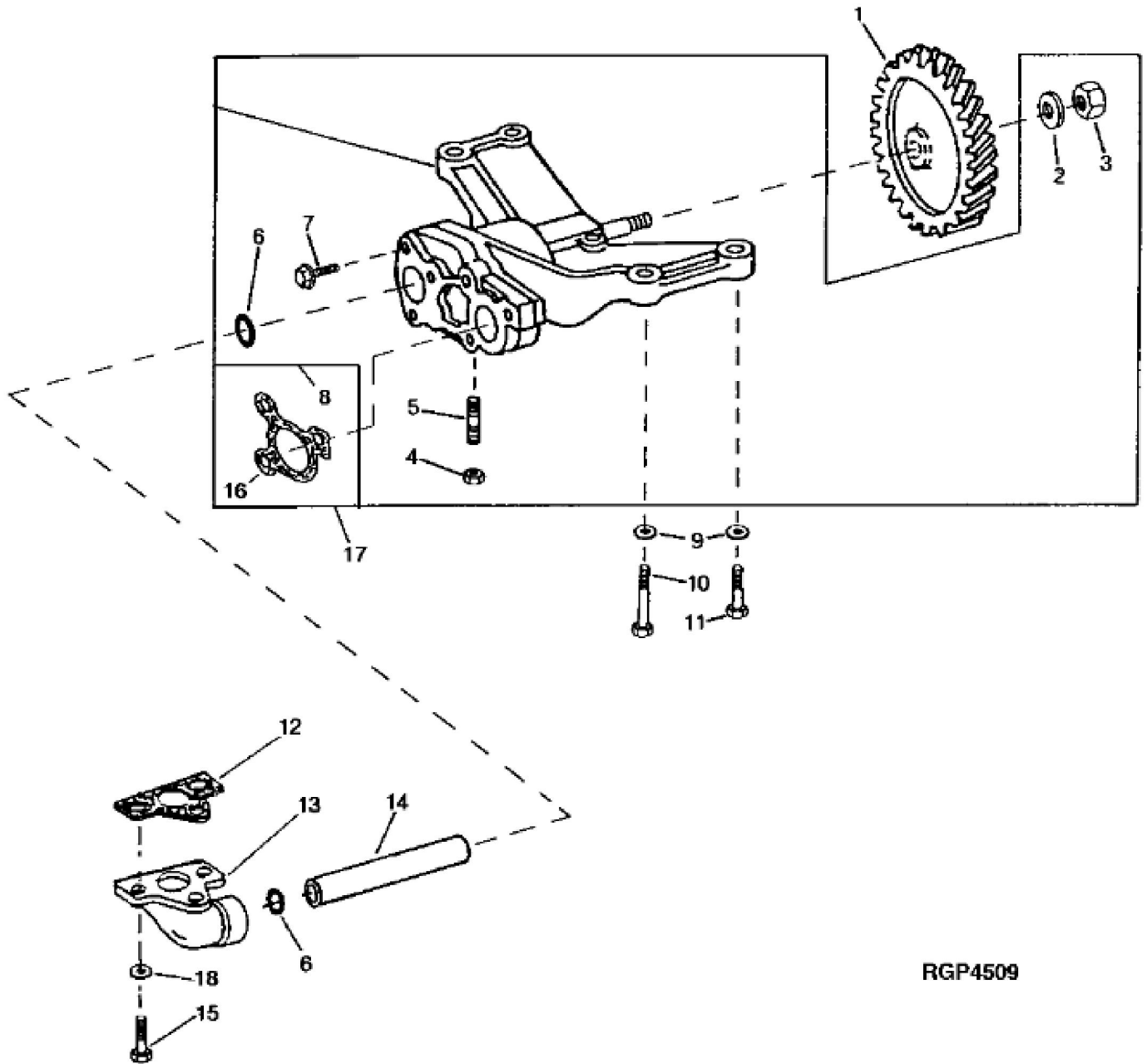
Suggest:

For more complete manuals. Please go to the home page.

<https://www.ebooklibonline.com>

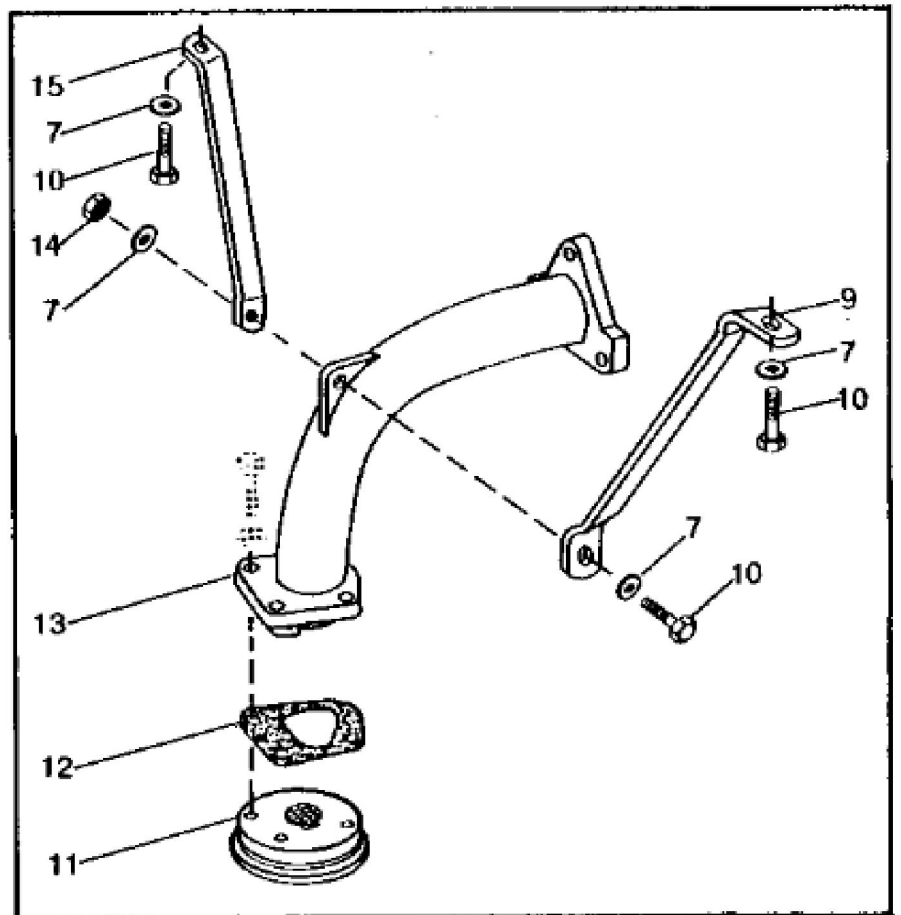
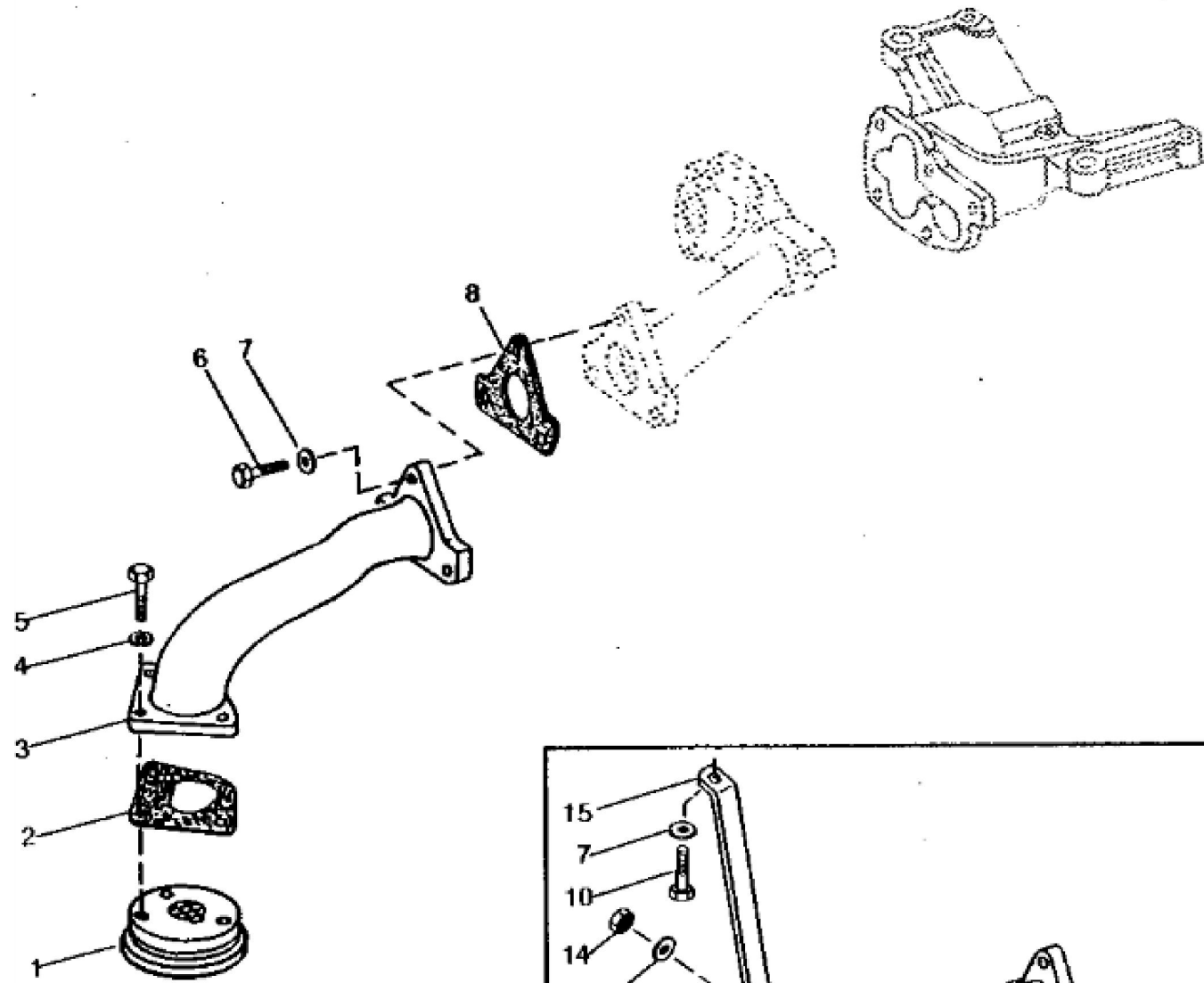
If the above button click is invalid. Please download this document first, and then click the above link to download the complete manual.

Thank you so much for reading



RGP4509

KEY	PART NO.	PART NAME	QTY	REMARKS
1	R62938	GEAR	1	
2	T21242	WASHER	1	
3	14H826	NUT	1	1/2"
4	14H785	NUT	1	5/16"
5	22H1040	SET SCREW	1	5/16" X 1-1/4"
6	R71732	O-RING	2	
7	R104628	SCREW	3	(COVER TO OIL PUMP HSG)
7	R104628	SCREW	2	
8	RE44118	OIL PUMP	1	(MARKED R62946) (SUB RE60622)
9	R57696	WASHER	4	
10	19H2549	CAP SCREW	2	3/8" X 1-7/8"
11	19H3219	CAP SCREW	2	3/8" X 1-3/8"
12	R69418	GASKET	1	
13	R62948	ELBOW FITTING	1	
14	R62947	TUBE	1	
15	19H3483	CAP SCREW	3	3/8" X 1-1/8"
16	R100569	GASKET	1	
17	RE60622	OIL PUMP	1	(MARKED R62946 OR R124328) (SUB SE501063, THIS APPLICATION) (SUB FOR AR94479, AR96193, AR99344 OR RE44118, APPL)
17	SE501063	OIL PUMP	1	(MARKED R62946 OR R124328) (REMANUFACTURED) CALL 1-888-697-3626
17	RE507076	OIL PUMP	1	(MARKED R504028) (SUB SE500877, THIS APPLICATION)
17	SE500877	OIL PUMP	1	(REMANUFACTURED) CALL 1-888-697-3626
18	M72490	WASHER	3	
..	R500642	BUSHING	2	(USE W/OIL PUMP) (SUB FOR R62930, THIS APPLICATION)



RGP1981

<https://www.ebooklibonline.com>

Hello dear friend!

Thank you very much for reading.

Enter the link into your browser.

The full manual is available for immediate download.

<https://www.ebooklibonline.com>