

KEY	PART NO.	PART NAME	QTY	REMARKS
1	R26650	DOWEL PIN	2	
2	R116466	PLUG	1	
3	R119874	BUSHING	1	
4	30M7024	PLUG	1	
5	R26493	BUSHING	1	(Refer key 24 For More Information) ORDER DZ109926
6	R121043	VALVE	1	
7	R525706	CAP SCREW	14	
8	D2361R	BALL	1	
9	R97185	O-RING	1	
10	15H695	PIPE PLUG	1	3/8"
11	15H685	PIPE PLUG	1	1/4"
12	RE539116	FITTING	4	
13	51M7047	O-RING	4	23.600 X 2.900 mm
14	RE539115	FITTING	3	
15	51M7043	O-RING	3	15.300 X 2.200 mm
16	RE539114	FITTING	6	
17	51M7041	O-RING	6	11.300 X 2.200 mm
18	RE508185	FITTING	1	
19	U13639	O-RING	1	
20	T18891	PLUG	2	
21	R48685	DOWEL PIN	4	
22	.....	CYLINDER BLOCK	1	MARKED R530904; ORDER RE539717
22	RE539717	SHORT BLOCK ASSEMBLY	1	
23	R111137	SPRING	1	
24	DZ109926	BUSHING	1	USE WITH DZ109927 PRV, DZ106855 SPRING AND DZ109925 FITTING PLUG; ALSO ORDER A4827R SEALING WASHER

**<https://www.ebooklibonline.com>**

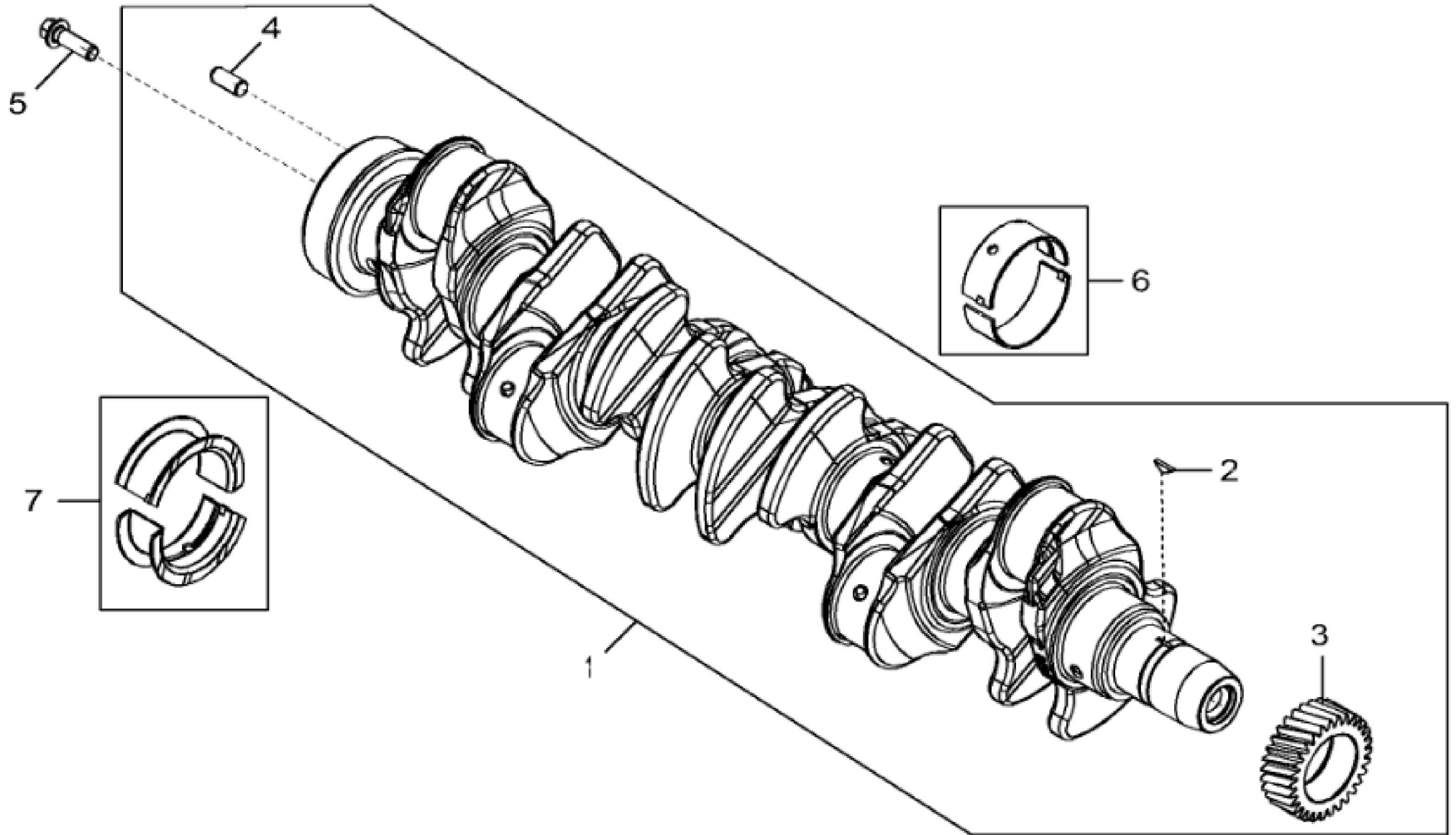
Hello dear friend!

Thank you very much for reading.

Enter the link into your browser.

The full manual is available for immediate download.

**<https://www.ebooklibonline.com>**



John Deere > Construction And Forestry >DOZER, CRAWLER >850K - DOZER, CRAWLER >850K Crawler Dozer (PIN: 1T0850KX\_\_E178122 - 271265) >04 ENGINE 6068HT080-RE541352 >0400 ENGINE 6068HT080-RE541352 6068HT080 >ST816629 - 4712 CRANKSHAFT AND BEARINGS

KEY	PART NO.	PART NAME	QTY	REMARKS
1	RE505921	CRANKSHAFT	1	MARKED R503470; ALSO ORDER RE537070 AND RE537071
1	SE501655	CRANKSHAFT REMAN	1	(With Bearings) REMAN FOR RE505921
2	R505609	SHAFT KEY	1	LGTH = 18.5 mm
3	R120631	GEAR	1	Z = 30
4	R48685	DOWEL PIN	1	SUB FOR A120R
5	R135918	BOLT	6	
6	RE65165	BEARING KIT	6	STD, Kit, R123561 AND R123562
6	RE65911	BEARING	AR	US = 0.254 mm, Kit, R130576 AND R130577
7	RE65168	BEARING KIT	1	STD, Kit, R123564 AND R123563
7	RE65912	THRUST BEARING	AR	US = 0.254 mm, Kit, R130574 AND R130575



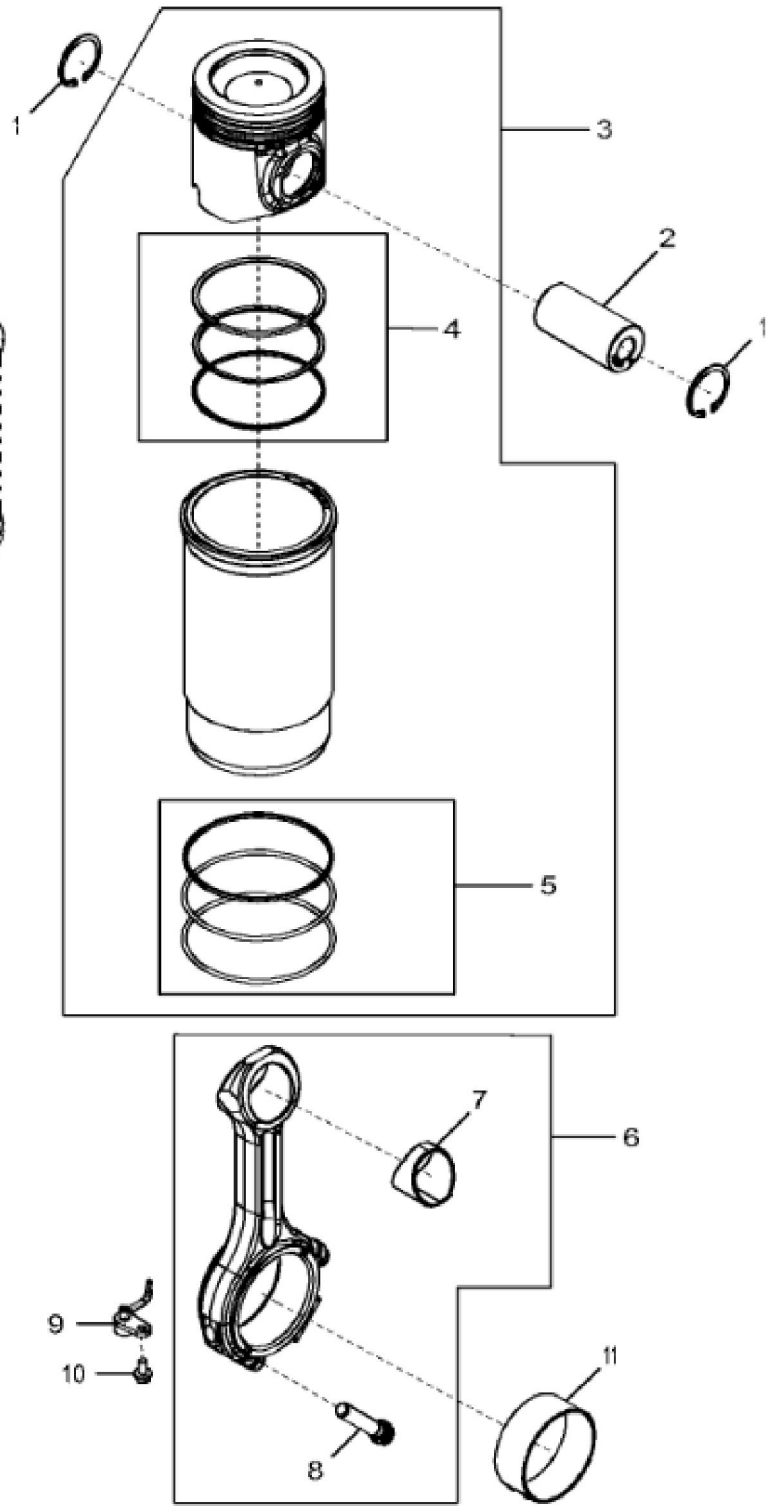
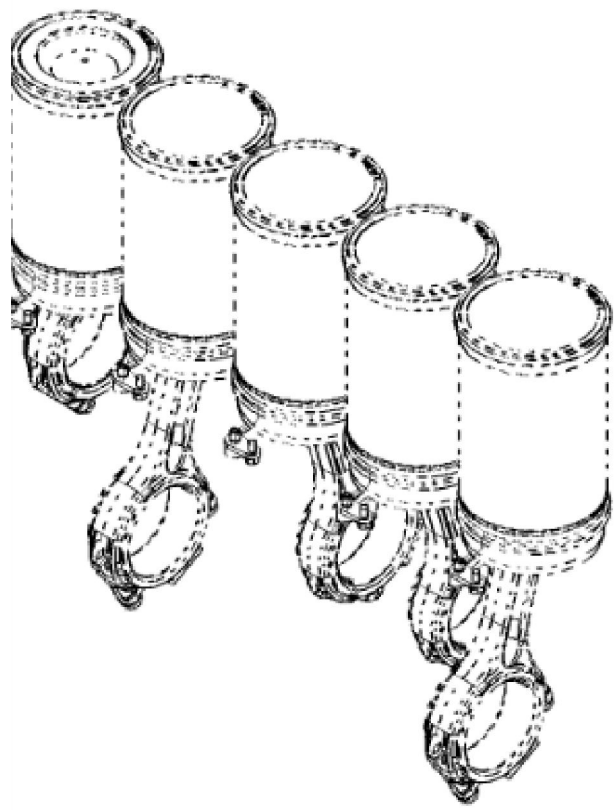
**Suggest:**

**For more complete manuals. Please go to the home page.**

**<https://www.ebooklibonline.com>**

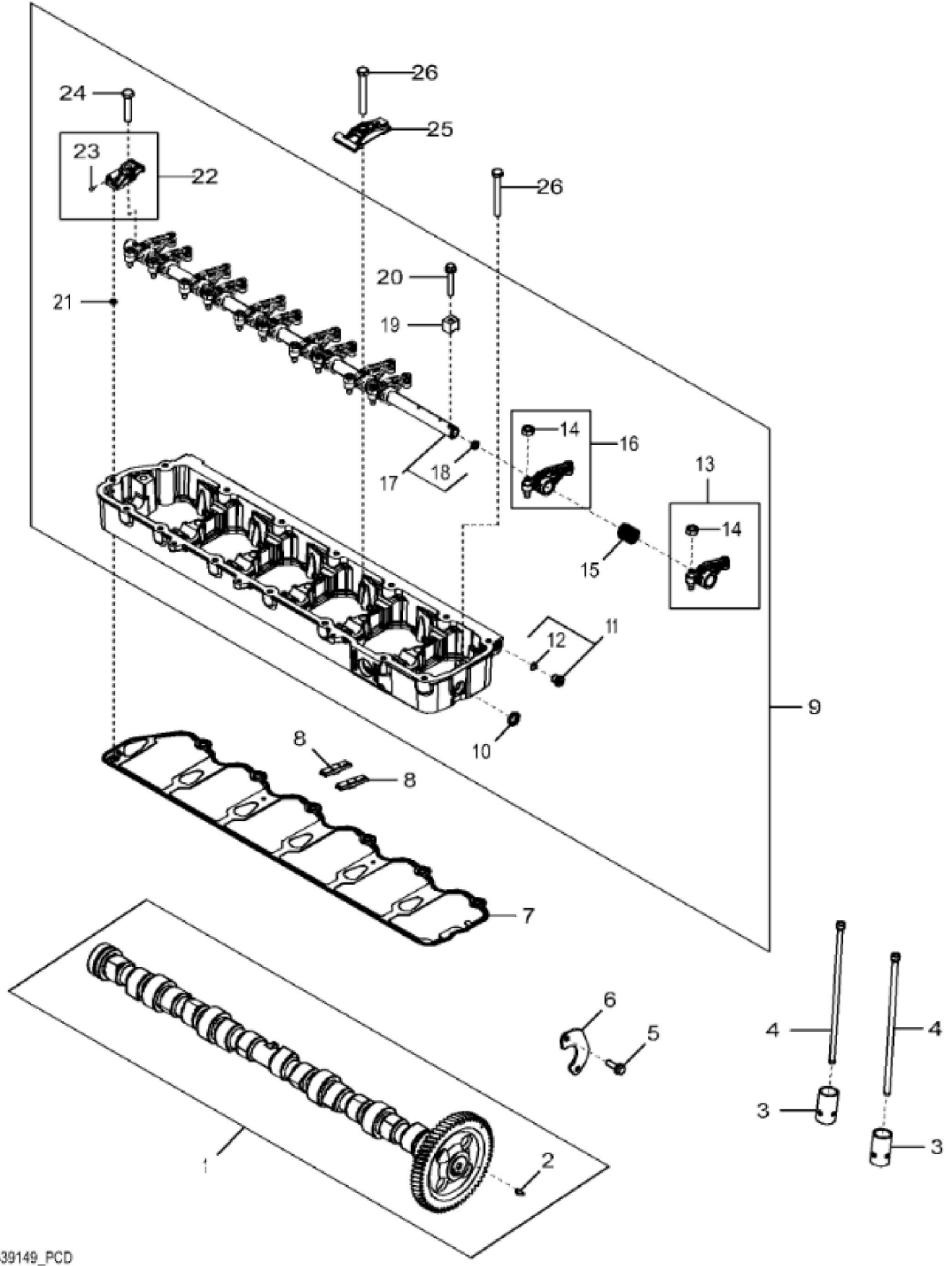
**If the above button click is invalid. Please download this document first, and then click the above link to download the complete manual.**

**Thank you so much for reading**



John Deere > Construction And Forestry >DOZER, CRAWLER >850K - DOZER, CRAWLER >850K Crawler Dozer (PIN: 1T0850KX\_\_E178122 - 271265) >04 ENGINE 6068HT080-RE541352 >0400 ENGINE 6068HT080-RE541352 6068HT080 >ST197200 - 4848 CONNECTING RODS AND PISTONS

KEY	PART NO.	PART NAME	QTY	REMARKS
1	R54114	SNAP RING	12	
2	R528652	PISTON PIN	6	
3	RE543854	PISTON-LINER KIT	6	
4	RE539423	PISTON RING KIT	6	
5	RE539558	O-RING KIT	6	
6	RE500608	CONNECTING ROD	6	MARKED R500335
6	SE501094	CONNECTING ROD REMAN	AR	MARKED R500335; REMAN FOR RE500608
7	R114082	BUSHING	6	
8	R501124	SCREW	12	
9	RE547214	NOZZLE	6	
10	R529612	CAP SCREW	6	
11	RE539421	BEARING KIT	6	MARKED R525684



**<https://www.ebooklibonline.com>**

Hello dear friend!

Thank you very much for reading.

Enter the link into your browser.

The full manual is available for immediate download.

**<https://www.ebooklibonline.com>**