

John Deere > Construction And Forestry >DOZER, CRAWLER >850J-II - DOZER, CRAWLER >850J-II Crawler Dozer (PIN: 1T0850JJ\_ \_D306725- )(PIN: 1T0850JJ\_ \_C306799- ) >04A ENGINE 6068HT090-RE543348 >0400A ENGINE 6068HT090-RE543348 6068HT090 >ST74383 - 4633 CYLINDER BLOCK

KEY	PART NO.	PART NAME	QTY	REMARKS
1	.....	CYLINDER BLOCK	1	MARKED R504850; ORDER RE528638
2	R116466	PLUG	1	
3	RE71255	PIPE PLUG	1	SUB FOR R104592 AND RE42713
4	B153R	DOWEL PIN	2	
5	R119874	BUSHING	1	ALSO ORDER TY6333
6	RE505501	BLEED VALVE	1	
7	R131425	COMPRESSION SPRING	1	
8	R121043	VALVE	1	
9	R111137	SPRING	1	
10	R97185	O-RING	1	
11	D2361R	BALL	1	
12	RE537834	ELBOW FITTING		Not Illustrated
13	R536082	BEARING CAP	6	
14	R528387	CAP SCREW	14	LGTH = 92 mm, USE WITH R515365 AND R515366
15	R535004	BEARING CAP	1	
16	RE508185	FITTING	2	1-5/8"-12 UN
17	U13639	O-RING	1	1-5/8"-12 UN
18	R48685	DOWEL PIN	1	SUB FOR A120R
19	T18891	PLUG	2	OD = 16 mm
20	15H584	PIPE PLUG	1	1/2"
21	R131182	ORIFICE	6	
22	RE507807	PIPE PLUG	1	1/4"-18 NPT
23	15H695	PIPE PLUG	1	3/8"
24	R515365	BEARING CAP	6	
25	R515366	BEARING CAP	1	

**<https://www.ebooklibonline.com>**

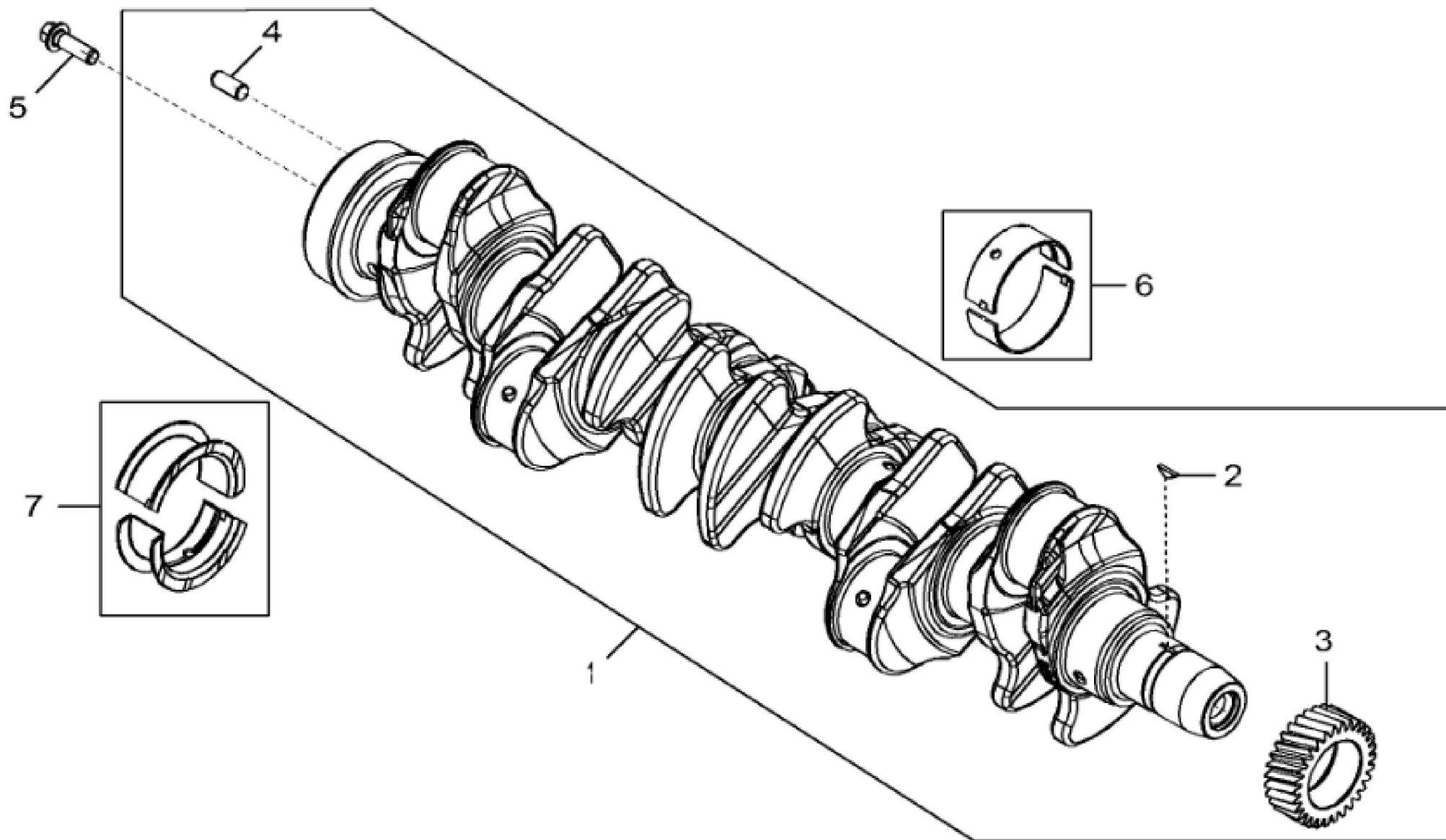
Hello dear friend!

Thank you very much for reading.

Enter the link into your browser.

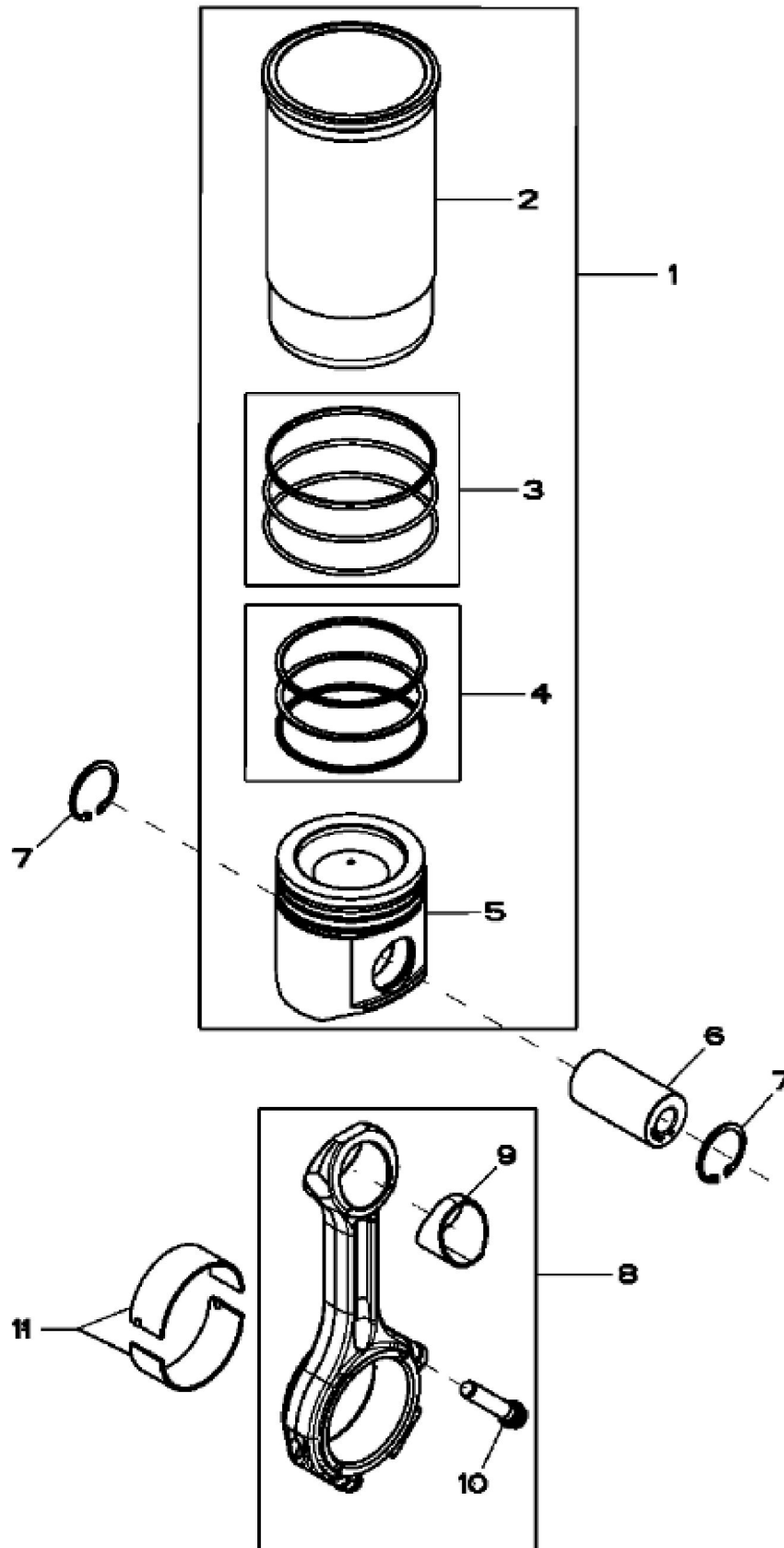
The full manual is available for immediate download.

**<https://www.ebooklibonline.com>**



John Deere > Construction And Forestry >DOZER, CRAWLER >850J-II - DOZER, CRAWLER >850J-II Crawler Dozer (PIN: 1T0850JJ\_ \_D306725- )(PIN: 1T0850JJ\_ \_C306799- ) >04A ENGINE 6068HT090-RE543348 >0400A ENGINE 6068HT090-RE543348 6068HT090 >ST816629 - 4712 CRANKSHAFT AND BEARINGS

KEY	PART NO.	PART NAME	QTY	REMARKS
1	RE505921	CRANKSHAFT	1	MARKED R503470; ALSO ORDER RE537070 AND RE537071
1	SE501655	CRANKSHAFT REMAN	1	(With Bearings) REMAN FOR RE505921
2	R505609	SHAFT KEY	1	LGTH = 18.5 mm
3	R120631	GEAR	1	Z = 30
4	R48685	DOWEL PIN	1	SUB FOR A120R
5	R135918	BOLT	6	
6	RE65165	BEARING KIT	6	STD, Kit, R123561 AND R123562
6	RE65911	BEARING	AR	US = 0.254 mm, Kit, R130576 AND R130577
7	RE65168	BEARING KIT	1	STD, Kit, R123564 AND R123563
7	RE65912	THRUST BEARING	AR	US = 0.254 mm, Kit, R130574 AND R130575



RE522135PCDB02



**Suggest:**

**For more complete manuals. Please go to the home page.**

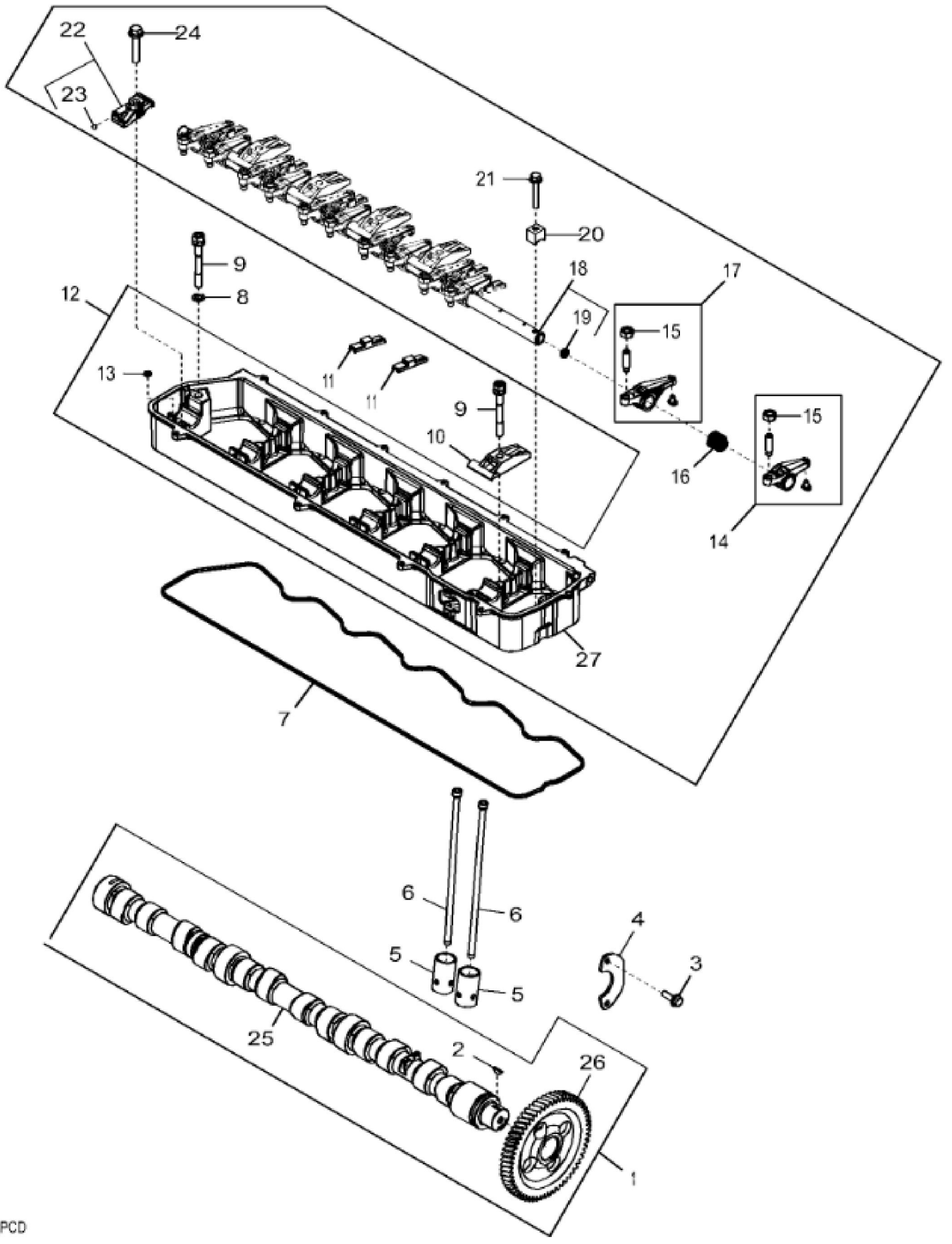
**<https://www.ebooklibonline.com>**

**If the above button click is invalid. Please download this document first, and then click the above link to download the complete manual.**

**Thank you so much for reading**

John Deere > Construction And Forestry >DOZER, CRAWLER >850J-II - DOZER, CRAWLER >850J-II Crawler Dozer (PIN: 1T0850JJ\_ \_D306725- )(PIN: 1T0850JJ\_ \_C306799- ) >04A ENGINE 6068HT090-RE543348 >0400A ENGINE 6068HT090-RE543348 6068HT090 >ST74386 - 4834 CONNECTING RODS AND PISTONS

KEY	PART NO.	PART NAME	QTY	REMARKS
1	RE524450	PISTON-LINER KIT	6	
2	.....	CYLINDER LINER	1	(Order RE524450)NSEP
3	AR65507	O-RING KIT	1	PKG (3)
4	RE524453	PISTON RING KIT	1	PKG (3)
5	.....	PISTON	1	NSEP (Marked RE521616 ) (Order RE524450)
6	R502755	PISTON PIN	6	OD= 41MM, LGTH= 77MM
7	R54114	SNAP RING	12	
8	RE500608	CONNECTING ROD	6	
9	R114082	BUSHING	1	
10	R501124	SCREW	2	A= 61MM, M12
11	RE65908	BEARING	6	STD (Kit (2) R113698)
11	RE65909	BEARING	AR	(Grinding Guidelines : See CTM104) ID -0.254MM, (Kit (2) R130578)



**<https://www.ebooklibonline.com>**

Hello dear friend!

Thank you very much for reading.

Enter the link into your browser.

The full manual is available for immediate download.

**<https://www.ebooklibonline.com>**