

RE528483PCDD02

John Deere > Construction And Forestry >DOZER, CRAWLER >850J - DOZER, CRAWLER >850J Crawler Dozer (S.N. 130886- ) >04A ENGINE 6090HT001 >0400A ENGINE 6090HT001 6090HT001 >ST5458 - 4604 (CYLINDER BLOCK)

KEY	PART NO.	PART NAME	QTY	REMARKS
1	AT13740	DRAIN VALVE	1	
2	.....	CYLINDER LINER	6	(ORDER RE531072)NSEP
3	AR98850	O-RING KIT	6	
4	R54326	O-RING	6	
5	RE522991	ORIFICE	6	
6	R43409	PLUG	1	
7	RE535576	CAM FOLLOWER	12	(SUB FOR RE519889)
8	.....	CYLINDER BLOCK	1	(MARKED R502997 ) (ORDER RE531095)NSEP
9	RE57836	PIPE PLUG	3	
10	RE71255	PIPE PLUG	5	
11	51M7044	O-RING	1	17.300 X 2.200 mm
12	RE519144	SENSOR	2	(SUB FOR RE508195)
13	RE167207	SENSOR	1	(SUB FOR RE56009)
14	R120954	BEARING CAP	1	
15	R519287	CAP SCREW	14	
16	R120953	BEARING CAP	6	
17	R82007	PLUG	1	
18	R527877	BUSHING	6	(SUB FOR R87561)
19	R522884	CAMSHAFT	1	(SUB FOR R520366)
19	SE501775	CAMSHAFT REMAN	1	(REMAN FOR R522884)
20	26H91	SHAFT KEY	1	3/16" X 1-1/4"
21	R504811	WASHER	1	
22	R518255	GEAR	1	
23	R518212	GEAR	1	(SUB FOR R112053)
..	RE531072	PISTON-LINER KIT	6	(INCLUDES R522695, AR98850, RE529264, RE531343)

**<https://www.ebooklibonline.com>**

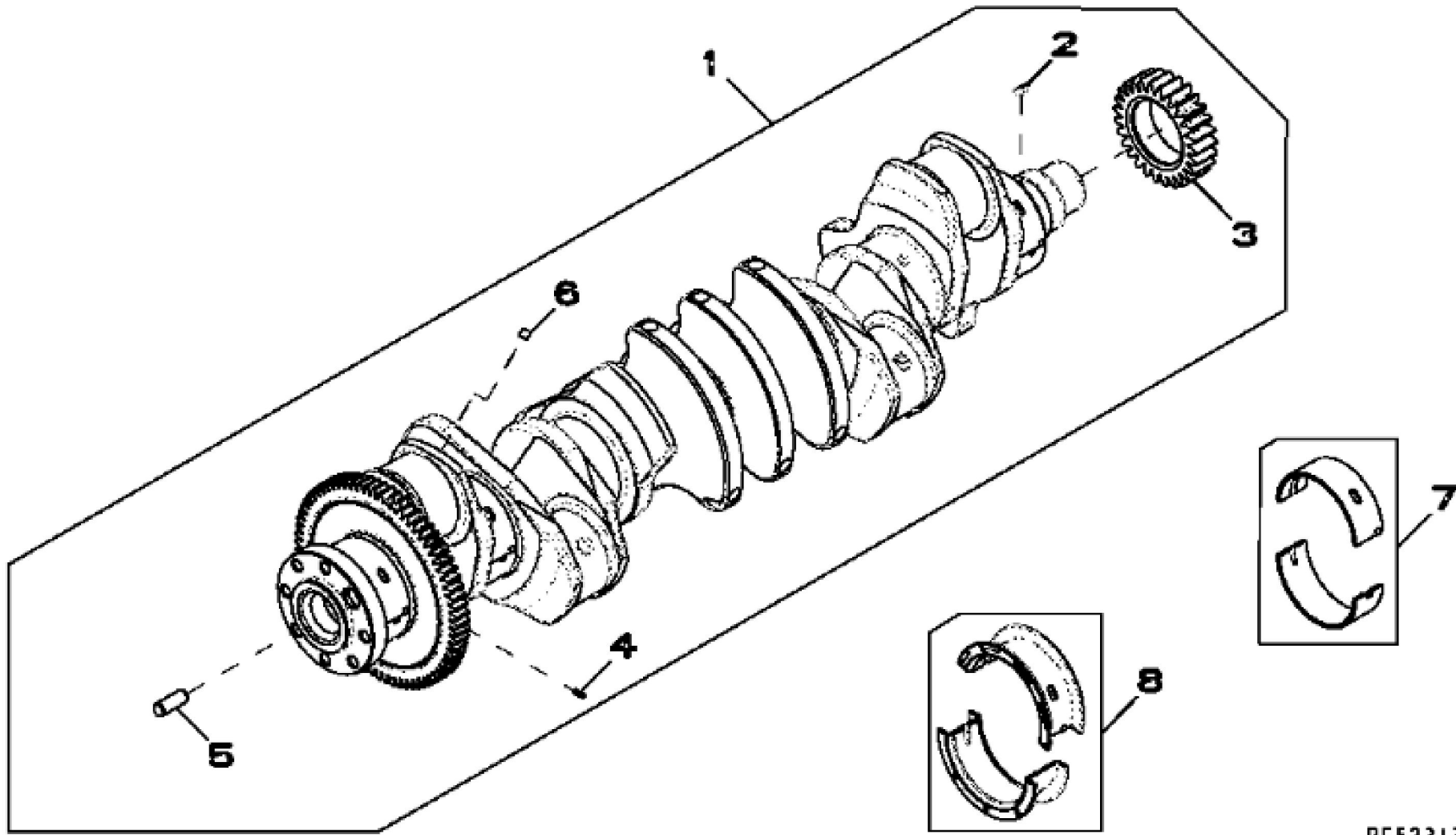
Hello dear friend!

Thank you very much for reading.

Enter the link into your browser.

The full manual is available for immediate download.

**<https://www.ebooklibonline.com>**



RE523130PCDE05

John Deere > Construction And Forestry >DOZER, CRAWLER >850J - DOZER, CRAWLER >850J Crawler Dozer (S.N. 130886- ) >04A ENGINE 6090HT001 >0400A ENGINE 6090HT001 6090HT001 >ST5722 - 4701 CRANKSHAFT / BEARINGS

KEY	PART NO.	PART NAME	QTY	REMARKS
1	RE534315	CRANKSHAFT	1	(Marked R525976) (Also Order RE529775)
1	SE501774	CRANKSHAFT REMAN	1	(WITH BEARINGS) (REMAN FOR RE534315)
2	R120752	KEY	1	
3	R104587	GEAR	1	
4	34M7089	SPRING PIN	1	
5	R41934	DOWEL PIN	1	
6	AT107510	PLUG	1	
7	RE529319	BEARING	6	(Kit R519427 and R519428)
8	RE529320	THRUST BEARING	1	(Kit R519429 and R519430)



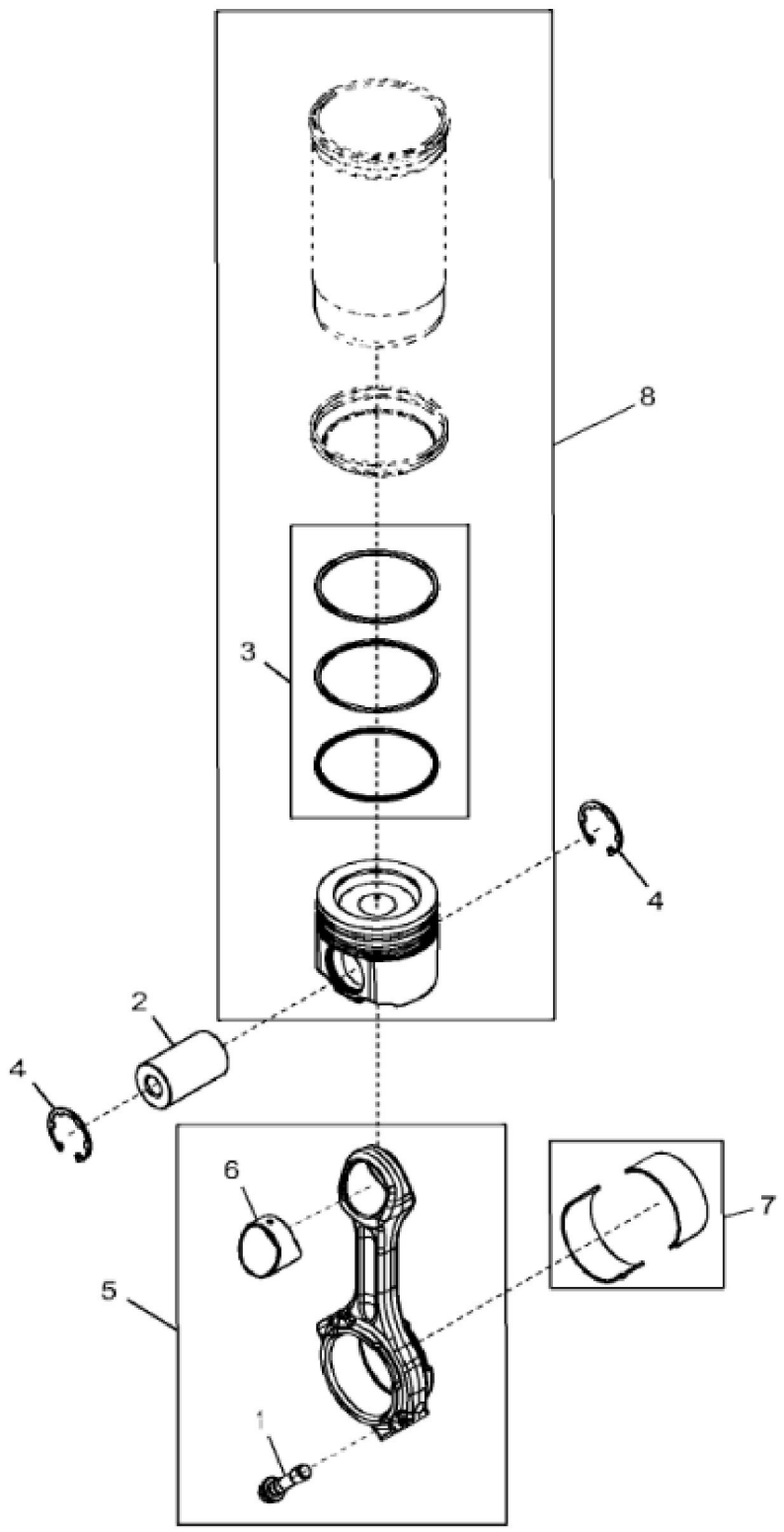
**Suggest:**

**For more complete manuals. Please go to the home page.**

**<https://www.ebooklibonline.com>**

**If the above button click is invalid. Please download this document first, and then click the above link to download the complete manual.**

**Thank you so much for reading**



John Deere > Construction And Forestry >DOZER, CRAWLER >850J - DOZER, CRAWLER >850J Crawler Dozer (S.N. 130886- ) >04A ENGINE 6090HT001 >0400A ENGINE 6090HT001 6090HT001 >ST30570 - 4801 CONNECTING RODS AND PISTONS

KEY	PART NO.	PART NAME	QTY	REMARKS
1	R542878	CAP SCREW	12	
2	DZ101959	PISTON PIN	6	OD = 47 mm, LGTH = 79 mm, SUB FOR R517073
3	DZ10083	PISTON RING	6	PKG (3), SUB FOR RE539642
4	R519640	SNAP RING	12	
5	DZ100117	CONNECTING ROD	6	MARKED DZ100421, SUB FOR RE517436 OR RE535554
5	SE501759	CONNECTING ROD REMAN	AR	REMAN FOR RE535554
5	SE501748	CONNECTING ROD REMAN	AR	REMAN FOR RE517436
6	R74008	BUSHING	6	
7	RE529318	BEARING	6	KIT; R519454
8	DZ10211	PISTON-LINER KIT	6	PISTON MARKED RE529264, SUB FOR RE545266 OR RE571507



**<https://www.ebooklibonline.com>**

Hello dear friend!

Thank you very much for reading.

Enter the link into your browser.

The full manual is available for immediate download.

**<https://www.ebooklibonline.com>**