

TX1002321

KEY	PART NO.	PART NAME	QTY	Engine Serial No.	REMARKS
0	6WG1XYSA03	DIESEL ENGINE	1		
0	6WG1XYSA03R	DIESEL ENGINE	1		SE502073 NLA, REMAN FOR 6WG1XYSA03
2	4639326	CUSHION	2		
3	J833318	BOLT	2		
4	4083438	WASHER	4		
5	4280782	PLATE	2		
6	M663033	NUT	2		
8	8100063	BRACKET	1		
9	7048124	BRACKET	1		
10	4317650	CAP SCREW	8		SUB FOR 4100116
11	J222014	WASHER	8		
13	4633972	ISOLATOR	2		
14	J932713	BOLT	2		
15	9764138	NUT	2		
16	4633971	PLATE	2		
17	4085857	WASHER	4		
19	8101452	BRACKET	1		
20	SCREW WITH WASHER	4		J271240 NLA
20	19M7493	CAP SCREW	4		M12 X 40, SUB FOR J901240
20	24M7345	WASHER	4		13.500 X 24 X 2.500 mm, SUB FOR J222012
23	2052422	BRACKET	2		
24	19M8002	CAP SCREW	12		M20 X 55, SUB FOR J912055
25	24M7051	WASHER	12		21 X 37 X 3 mm, SUB FOR A590120
27	4420526	O-RING	2		
28	4443904	ADAPTER FITTING	2		
28	4342846	O-RING	1		SUB FOR 4153108, THIS APPLICATION
34	8101327	PIPE	1		Connects to Turbocharger and Muffler Pipe
35	M800462	PLUG	1		SUB FOR 94-2022
39	24M7345	WASHER	4	973011-_____	13.500 X 24 X 2.500 mm, SUB FOR J222012

<https://www.ebooklibonline.com>

Hello dear friend!

Thank you very much for reading.

Enter the link into your browser.

The full manual is available for immediate download.

<https://www.ebooklibonline.com>

KEY	PART NO.	PART NAME	QTY	REMARKS
1	8981720140	CRANKSHAFT	1	SUB FOR 1123106751, 1123107152, 1123107151
7	1115100935	BEARING KIT	1	SUB FOR 1115100934 AND 1115100933
12	1123305591	FLYWHEEL	1	SUB FOR 1123314210 AND 1123314211
18	1123714443	PULLEY	1	
20	TORSIONAL DAMPER	1	1123751930 NLA, SUB 8981471540
20	8981471540	TORSIONAL DAMPER	1	
22	9098518620	LOCK PLATE	8	
23	1123790391	WASHER	1	USE WITH 1123751930, SUB FOR 1123790390
24	0287912300	BOLT	8	
28	1125210612	GEAR	1	SUB FOR 1125210680
31	9098786260	DOWEL PIN	1	
32	9081508160	PIN FASTENER	1	
35	1123330131	RING GEAR	1	
38	1123360110	WASHER	1	
40	1090700171	BOLT	10	
42	8981518500	THRUST WASHER	2	SUB FOR 1115990090 OR 8976067100
57	9081608200	PIN FASTENER	1	
58	1090700171	BOLT	8	
73	1122710960	ROD	6	
84	8981159480	CONNECTING ROD	6	SUB FOR 1122301762
85	8981159590	BUSHING	1	SUB FOR 1122510374
86	1122350363	BOLT	6	
88	1122390051	NUT	6	
89	1096050210	PIPE PLUG	6	



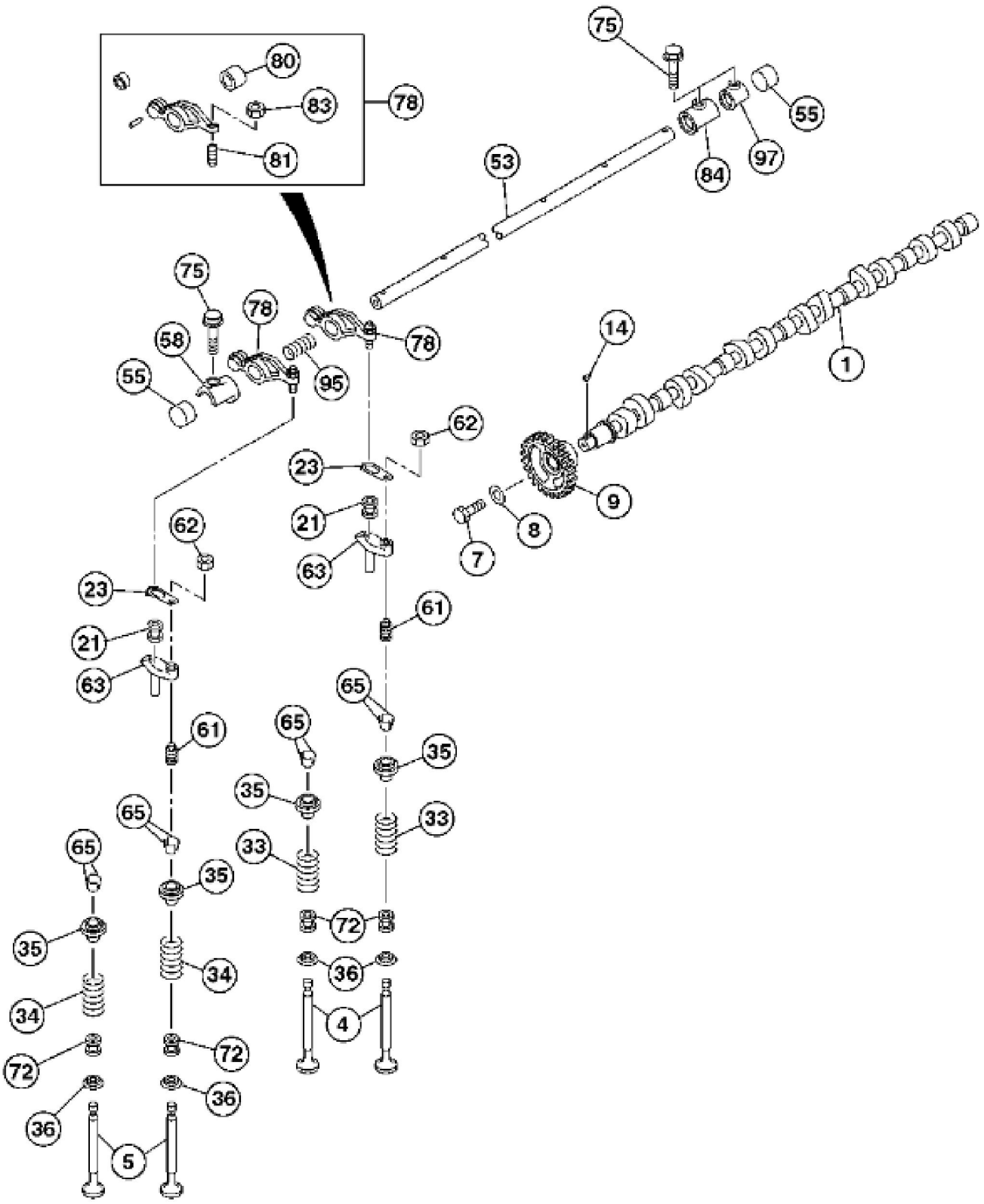
Suggest:

For more complete manuals. Please go to the home page.

<https://www.ebooklibonline.com>

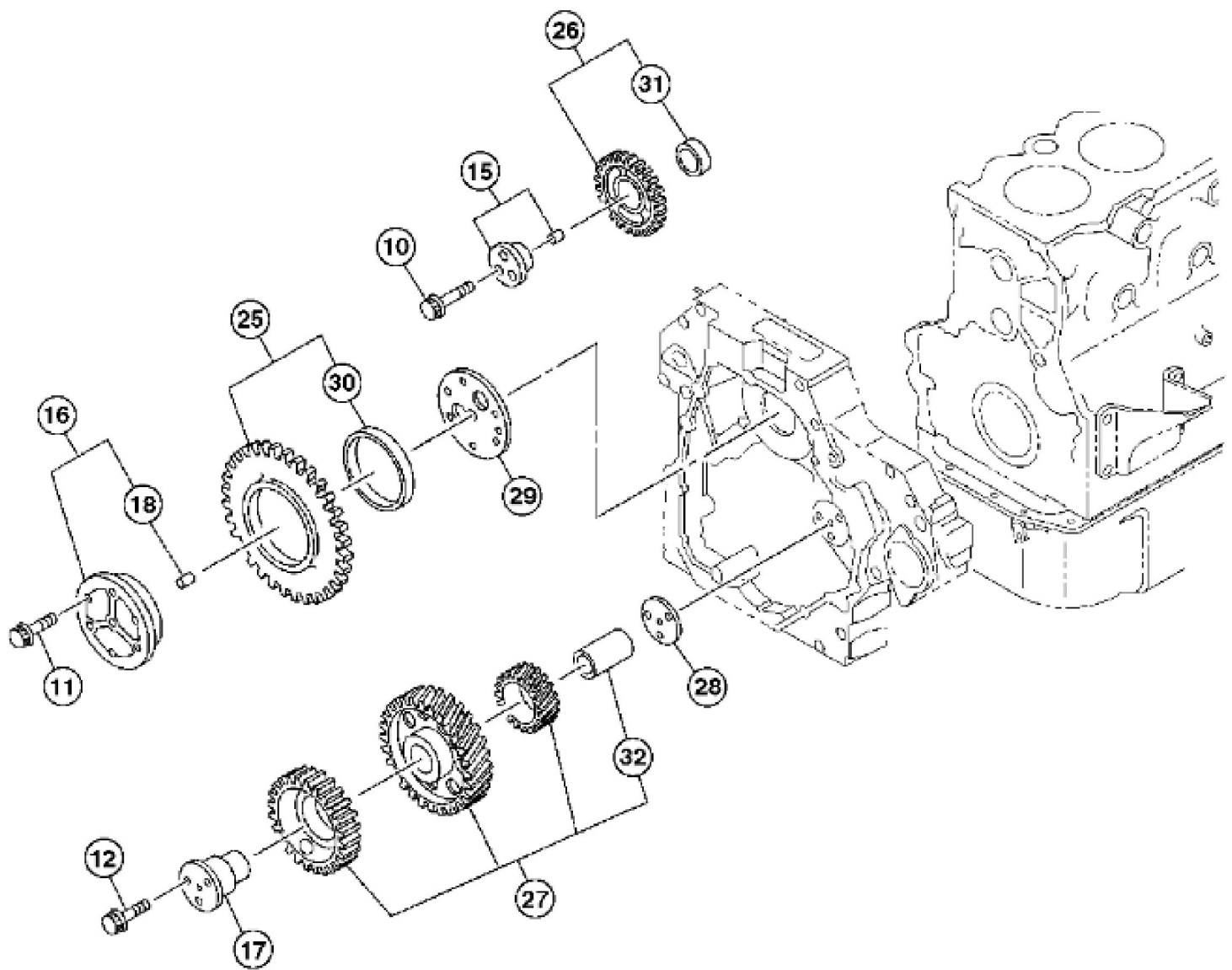
If the above button click is invalid. Please download this document first, and then click the above link to download the complete manual.

Thank you so much for reading



T216123

KEY	PART NO.	PART NAME	QTY	REMARKS
1	1125112552	CAMSHAFT	1	
4	1125511624	INTAKE VALVE	12	Inlet, SUB FOR 1125511623, 1125511621 OR 1125511622
5	1125521003	EXHAUST VALVE	12	Exhaust, SUB FOR 1125521002
7	9920614280	BOLT	1	
8	9098518503	WASHER	1	
9	1125220601	GEAR	1	SUB FOR 1125220600
14	9080555160	KEY	1	
21	1126160400	CAP	12	
23	1126190112	PLATE	12	
33	8976033050	SPRING	12	Inlet, SUB FOR 1125610920
34	1125610930	SPRING	12	Exhaust
35	1125630600	PLATE	24	
36	1125630562	PLATE	24	
53	1126210922	ROCKER ARM SHAFT	1	SUB FOR 1126210920
55	5112190080	PLUG	2	SUB FOR 9111290820
58	1126280703	BRACKET	1	SUB FOR 1126280702
61	1126160420	SCREW	12	
62	14M7500	NUT	12	M10, SUB FOR 9098403100
63	1126112773	VALVE BRIDGE	12	
65	1125650070	BUSHING	48	
72	1125690200	SEAL	24	
75	1090440871	BOLT	7	
78	1126100802	ROCKER ARM	12	SUB FOR 1126100801 OR 1126100800
80	1093301300	BUSHING	12	
81	1126160341	SCREW	12	
83	9991105120	NUT	12	
84	1126280682	BRACKET	5	
95	1095804721	SPRING	6	
97	1126280723	BRACKET	1	SUB FOR 1126280722



T216278

<https://www.ebooklibonline.com>

Hello dear friend!

Thank you very much for reading.

Enter the link into your browser.

The full manual is available for immediate download.

<https://www.ebooklibonline.com>