

RGP2569

John Deere > Construction And Forestry >BULLDOZER >850B - BULLDOZER >850B Crawler Bulldozer >4 ENGINE 4 >CAMSHAFT AND VALVE ACTUATING MEANS 0402 >0402-3 - ENGINE VENTILATOR
 OUTLET AND ROCKER ARM COVER (6466) [02B13]

KEY	PART NO.	PART NAME	QTY	Engine Serial No.	REMARKS
1	TY22467	CLAMP	2		(SUB FOR AR21839)
2	AR103811	SCREW WITH WASHER	8	____-329283	6.350 X 19.050 MM (1/4" X 3/4") (SUB FOR AR45530)
2	AR100124	SCREW WITH WASHER	8	329284-____	
3	AR93172	COVER	1	____-345885	(SUB FOR AR73677) (SUB RE37448)
3	RE37448	COVER	1	345886-____	
4	R49866	GASKET	1		(SUB FOR R32593)
5	R50388	TUBE	1		
6	R99793	HOSE	1		19 MM X 889 MM (3/4" X 35") (SUB FOR R60753) (SUB TY22450)
6	TY22450	BULK HOSE	AR		(BULK)
..	AR31790	ADHESIVE	1		

<https://www.ebooklibonline.com>

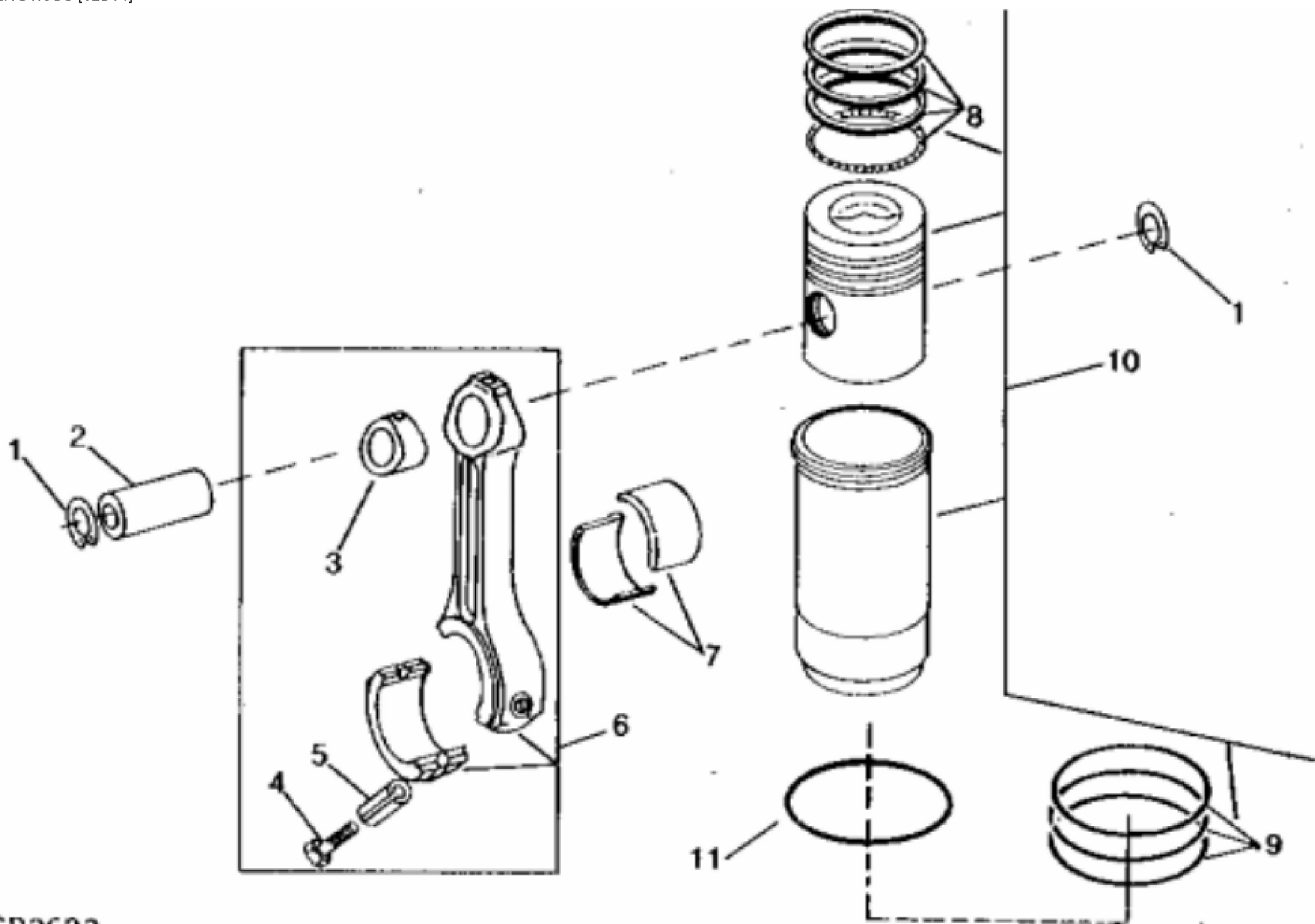
Hello dear friend!

Thank you very much for reading.

Enter the link into your browser.

The full manual is available for immediate download.

<https://www.ebooklibonline.com>



RGP3623

John Deere > Construction And Forestry >BULLDOZER >850B - BULLDOZER >850B Crawler Bulldozer >4 ENGINE 4 >CONNECTING RODS AND PISTONS 0403 >0403-1 - PISTONS, RINGS, LINERS AND CONNECTING RODS [02B14]

KEY	PART NO.	PART NAME	QTY	REMARKS
1	E1343FN	SNAP RING	12	
2	R57771	PISTON PIN	6	
3	R74008	BUSHING	6	
4	R66452	CAP SCREW	12	
5	R53292	SLEEVE	12	
6	AR93341	CONNECTING ROD	6	(MARKED R71074) (SUB (6) SE500498)
6	SE500498	CONNECTING ROD REMAN	6	
7	AR73277	BEARING	AR	STD (PKG (2) R57583)
7	AR73278	BEARING	AR	0.05MM (.002") US (PKG (2) R60485)
7	AR73279	BEARING	AR	0.25MM (.010") US (PKG (2) R60486)
7	AR73280	BEARING	AR	0.51MM (.020") US (PKG (2) R60487)
7	AR73281	BEARING	AR	0.76MM (.030") US (PKG (2) R60488)
8	RE48380	PISTON RING KIT	6	(SUB FOR AR73627) (USE WITH AR98838 OR AR100616)
9	AR98850	O-RING KIT	6	
10	RE60282	PISTON-LINER KIT	6	(MARKED AR100616 OR AR98838) (SUB FOR AR100646)
11	R93948	SHIM	2	0.05MM (.002") (MAX.)
..	RG27908	ENGINE OVERHAUL KIT	1	(CONTAINS (6) RE60282 PISTON LINER KITS, GASKET KIT, STD BEARINGS, FRONT/REAR SEALS AND SNAP RINGS) (ALSO ORDER R66452 ROD BOLTS) (SUB FOR RG18847 OR RE60283)
..	R133134	SHIM	1	(FOR CYLINDER HEAD GASKET REPAIR)



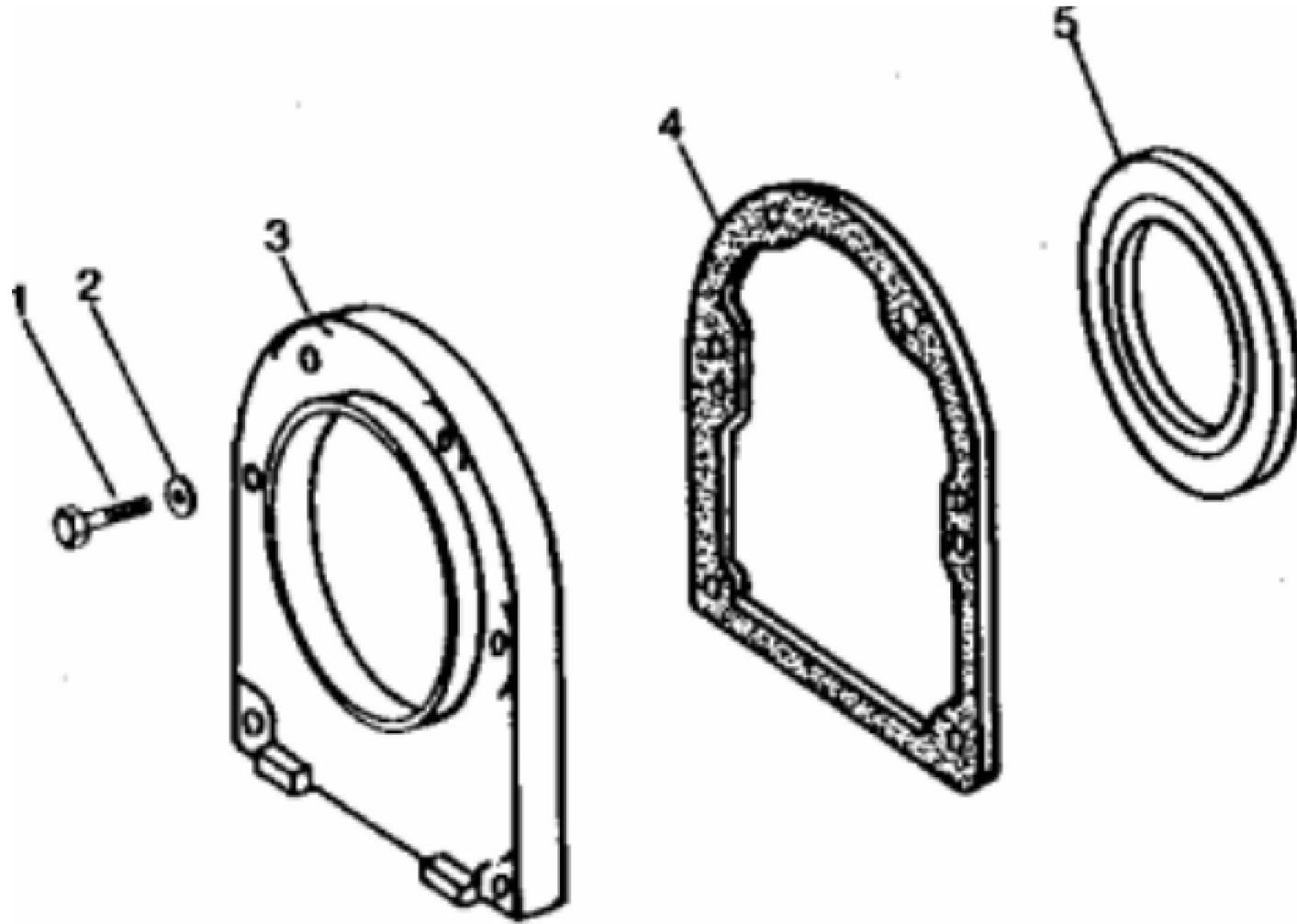
Suggest:

For more complete manuals. Please go to the home page.

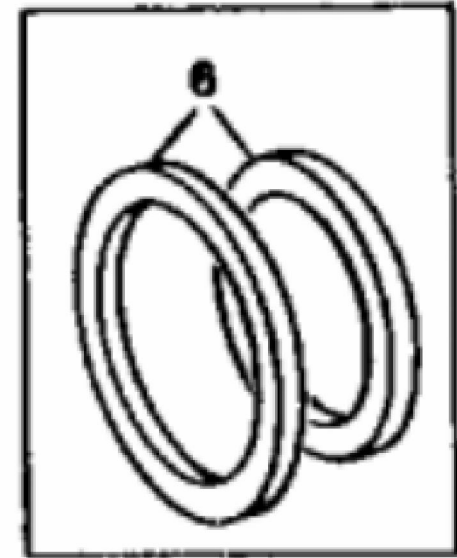
<https://www.ebooklibonline.com>

If the above button click is invalid. Please download this document first, and then click the above link to download the complete manual.

Thank you so much for reading

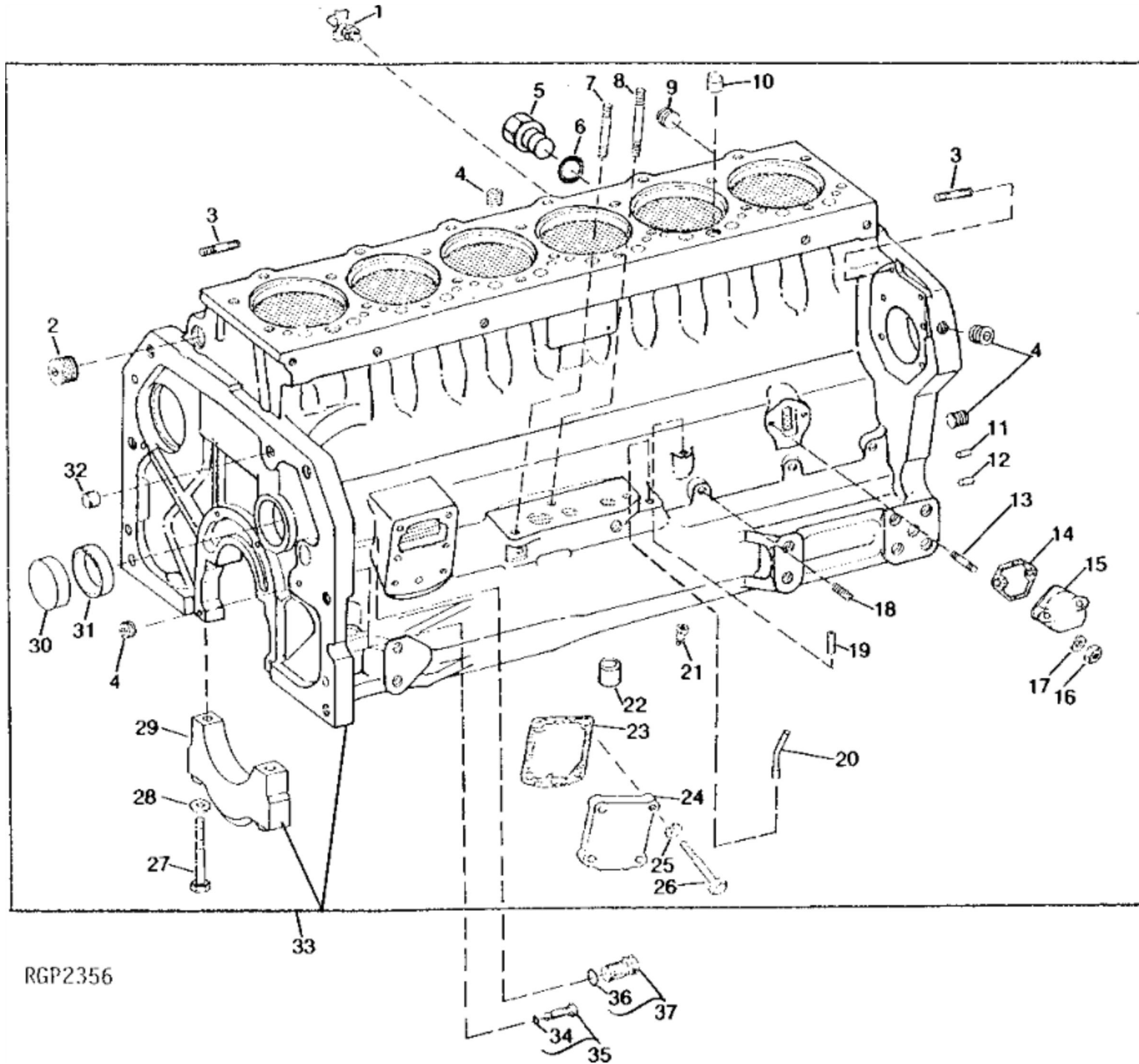


RGP2352



[02B15]

KEY	PART NO.	PART NAME	QTY	Engine Serial No.	REMARKS
1	R47074	CAP SCREW	6		
2	T27860	WASHER	6	243506-____	0.344" X 0.689" X 0.066"
3	R41406	HOUSING	1	____-243505	(SUB R125027 AND (6) T27860)
3	R125027	HOUSING	1	243506-____	(SUB FOR R41406, R78124 OR R115050)
4	R26058	GASKET	1		
5	RE520036	SEAL	1		(SUB FOR RE14953, RE17352 OR RE22764)
6	RE520036	SEAL	1		(SUB FOR AR63095)



<https://www.ebooklibonline.com>

Hello dear friend!

Thank you very much for reading.

Enter the link into your browser.

The full manual is available for immediate download.

<https://www.ebooklibonline.com>