

TP5494

KEY	PART NO.	PART NAME	QTY	REMARKS
1	M40333	LOCK NUT	4	
2	24H1287	WASHER	4	9/32" X 5/8" X 0.065"
3	AT71400	BRACKET	1	
4	AR21842	CLAMP	2	
5	AT71399	TUBE	1	
6	AR21999	HOSE CLAMP	5	(SUB FOR AR21840)
7	N189220	TIE BAND	3	(SUB FOR AT42520 OR (3) AA21510)
8	T74010	HOSE	1	1 651 MM (65") LONG
9	AR103811	SCREW WITH WASHER	9	
10	AT71401	COVER	1	
11	R74365	GASKET	1	
12	L2033CU	HYDRAULIC HOSE	2	
13	R60593	U-BOLT	2	
14	COVER	1	ROCKER ARM INSTALLATION (AT71398 - NO LONGER AVAILABLE)

<https://www.ebooklibonline.com>

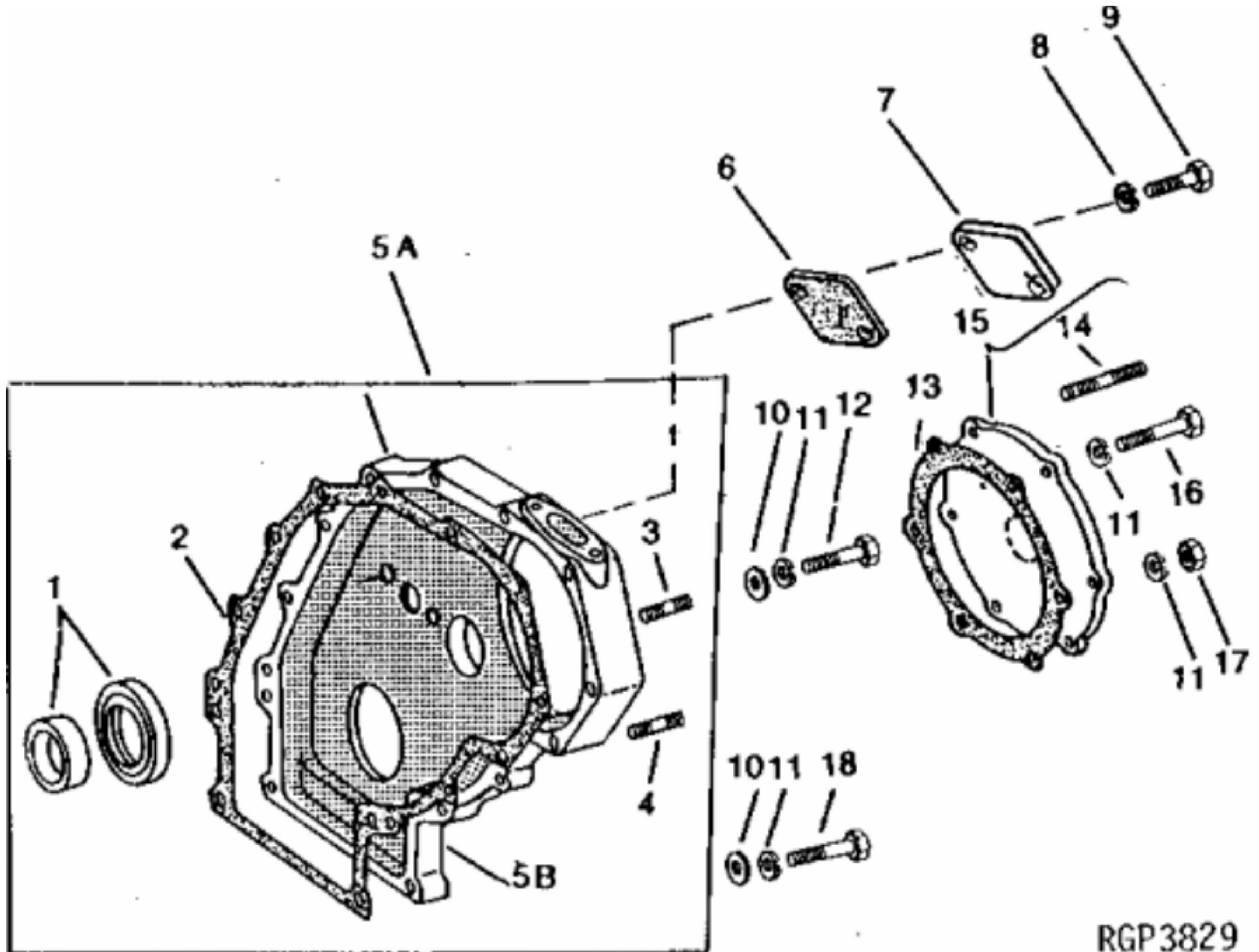
Hello dear friend!

Thank you very much for reading.

Enter the link into your browser.

The full manual is available for immediate download.

<https://www.ebooklibonline.com>



RGP3829



Suggest:

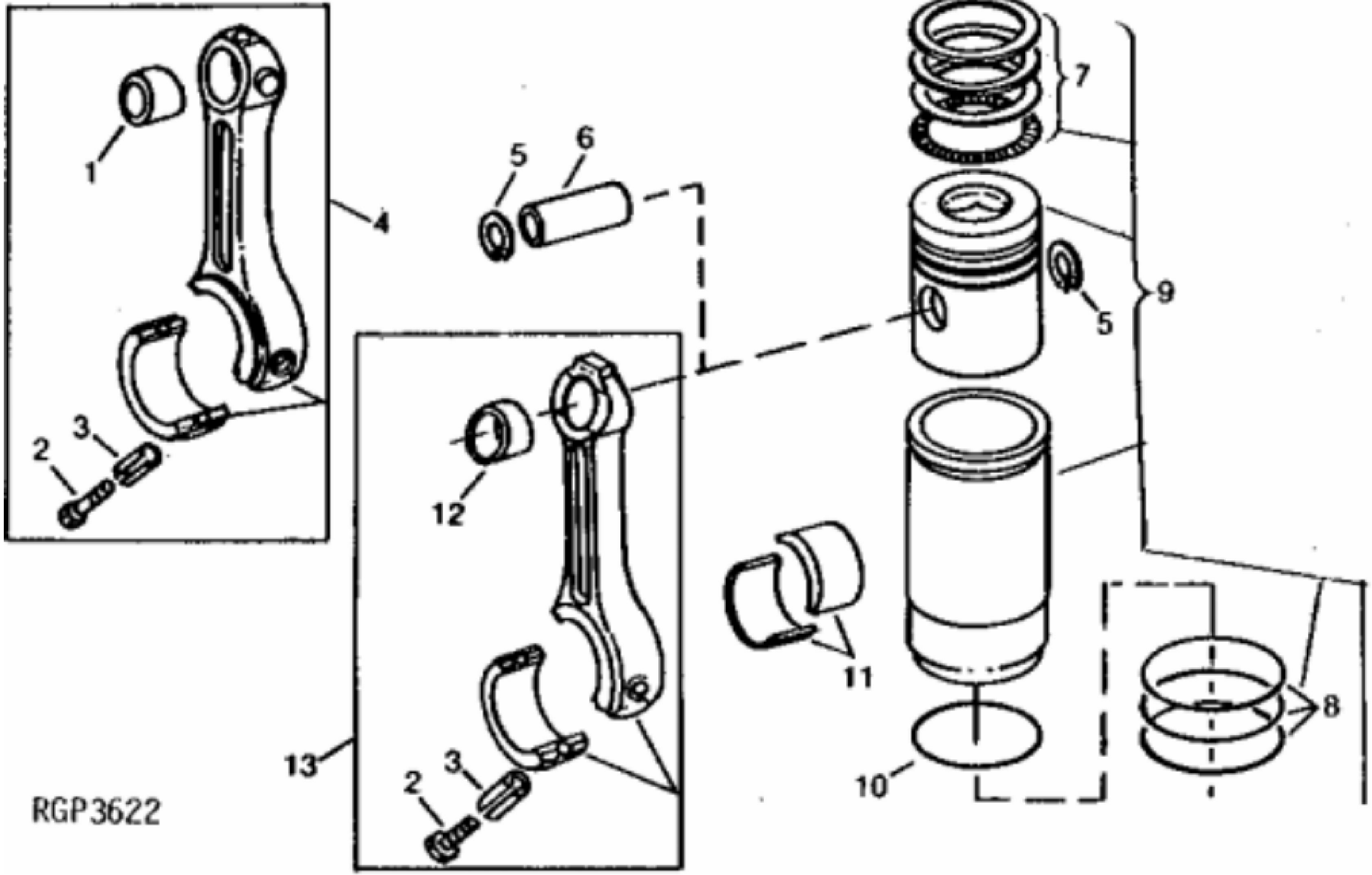
For more complete manuals. Please go to the home page.

<https://www.ebooklibonline.com>

If the above button click is invalid. Please download this document first, and then click the above link to download the complete manual.

Thank you so much for reading

KEY	PART NO.	PART NAME	QTY	Engine Serial No.	REMARKS
1	AR49025	SEAL	1		
2	R49483	GASKET	1		
3	R699R	STUD	1	____-048709	(SUB T20173 AND R51604, APPL)
3	T20173	STUD	1	048710-____	
4	R699R	STUD	1		(SUB FOR R32042 OR T20173, APPL USE WITH NO BELT TIGHTENER)
4	R47105	STUD	1		(SUB FOR R32042, APPL USE WITH BELT TIGHTENER)
5A	AR67511	COVER	1	____-030335	(A) (MARKED R48835) (ALSO ORDER (2) R51604, R67770, R67769, (2) 12H302, (2) 19H1948)
5A	AR88415	COVER	1	030336-045017	(A) (MARKED R67342) (ALSO ORDER (2) R51604, APPL)
5A	RE10830	COVER	1	045018-048709	(A) (MARKED R77301) (ALSO ORDER (2) R51604, APPL)
5A	RE14134	COVER	1		(A)
5B	R77301	COVER	1	048710-061336	(SUB FOR RE14134) (SUB R110147, APPL) (992D-LC)
5B	R110147	COVER	1	061337-____	(992D-LC)
6	R67770	GASKET	1	030336-____	
7	R67769	COVER	1	030336-____	
8	12H302	LOCK WASHER	2	030336-____	1/4"
9	19H1948	CAP SCREW	2	030336-____	1/4" X 3/4"
10	24H1305	WASHER	9	061337-____	
11	12H304	LOCK WASHER	15		3/8", (NOT REQUIRED WITH E55662)
12	19H1801	CAP SCREW	5		3/8" X 2"
13	R35349	GASKET	1		
14	R114130	STUD	1	____-048709	(SUB D2420R AND R51604) (SUB FOR R55396, APPL)
14	D2420R	STUD	1	048710-____	
15	AR67538	COVER	1	____-048709	(MARKED R55506) (SUB RE42820 AND R51604, APPL)
15	RE14129	COVER	1	048710-059783	(MARKED R55506) (SUB RE42820)
15	RE42820	COVER	1	059784-____	(MARKED R105579)
16	19H1733	CAP SCREW	4		3/8" X 2-1/2"
17	E55662	FLANGE NUT	1		(NO LONGER REQUIRED)
18	19H1800	CAP SCREW	4		3/8" X 1-1/2"



RGP3622

KEY	PART NO.	PART NAME	QTY	Engine Serial No.	REMARKS
1	R60197	BUSHING	6	____-033885	(USE WITH R66925 OR R57484)
2	R66453	CAP SCREW	12		(SUB FOR R48316)
3	R48317	SLEEVE	12		
4	AR86985	CONNECTING ROD	6	____-033885	(MARKED R66925 OR R57484) (SUB FOR AR69037) (SUB SE500499 AND RE20291) (SE500499 - REMANUFACTURED)
5	N51168	SNAP RING	12		
6	R64451	PISTON PIN	6		
7	AR82355	PISTON RING KIT	6		
8	AR72351	O-RING KIT	6		
9	AR84089	PISTON-LINER KIT	6	____-033885	(A) (MARKED AR69038) (SUB FOR AR77558) (USE WITH BLOCK MARKED R57424 OR R66925)
9	RE20291	PISTON-LINER KIT	6	033886-049059	(A) (MARKED AR85997 OR RE20275) (SUB FOR AR89630)
9	RE20288	PISTON-LINER KIT	6	049060-____	(B) (MARKED AR85997 OR RE20275) (SUB FOR RE13847) (SUB RE40476)
9	RE40476	PISTON-LINER KIT	6		(B) (MARKED RE40433 OR RE42231)
10	R81276	SHIM	AR		0.05 MM
10	R81277	SHIM	AR		0.10 MM
11	AR101413	BEARING	AR	____-046052	STD (PKG (2) R75148, (SUB AR101271)
11	AR101271	BEARING	AR	046053-____	STD (PKG (2) R74671) (SUB FOR AR101271)
11	AR104129	BEARING	AR		0.05 MM (.002") US, (PKG (2) R60198, (2) R75166 OR (2) R76649) (SUB FOR AR73026)
11	AR104130	BEARING	AR		0.25 MM (.010") US, (PKG (2) R60199, (2) R75167 OR (2) R76650) (SUB FOR AR73027)
11	AR104131	BEARING	AR		0.50 MM (.020") US, (PKG (2) R60200, (2) R75158 OR (2) R76651) (SUB FOR AR73028)
11	AR104132	BEARING	AR		0.75 MM (.030") US, (PKG (2) R60201, (2) R75165 OR (2) R76652) (SUB FOR AR73029)
12	R69045	BUSHING	6		(USE WITH R63959) (MARKED R63960)
13	CONNECTING ROD	6	033886-____	(AR79366 NO LONGER AVAILABLE) (MARKED R63959) (SUB SE500499)

<https://www.ebooklibonline.com>

Hello dear friend!

Thank you very much for reading.

Enter the link into your browser.

The full manual is available for immediate download.

<https://www.ebooklibonline.com>