

RGP3109

John Deere > Construction And Forestry > EXCAVATOR > 792DLC - EXCAVATOR > 792DLC Excavator > 04 ENGINE 4 6076AT033 > 0413 FUEL INJECTION SYSTEM 6076AT033 6076AT033 > ST296865 - FUEL INJECTION PUMP HOUSING CONNECTORS (ROBERT BOSCH)

KEY	PART NO.	PART NAME	QTY	REMARKS
1	R63016	ADAPTER FITTING	1	
2	51M4237	SEALING RING	2	(SUB FOR R53901)
3	AR77114	CONTROL VALVE	1	
4	R54859	SCREW	3	
5	R54857	JAW	3	
6	R54858	JAW	3	
7	R99532	COUPLING	6	
8	R54856	O-RING	6	
9	R99533	CAP	1	
10	R54873	O-RING	1	
11	R520574	GASKET	1	(SUB FOR R67879)
12	T24229	LOCK WASHER	3	
13	T31556	NUT	3	
14	R68435	GASKET	1	
15	R67877	O-RING	2	

<https://www.ebooklibonline.com>

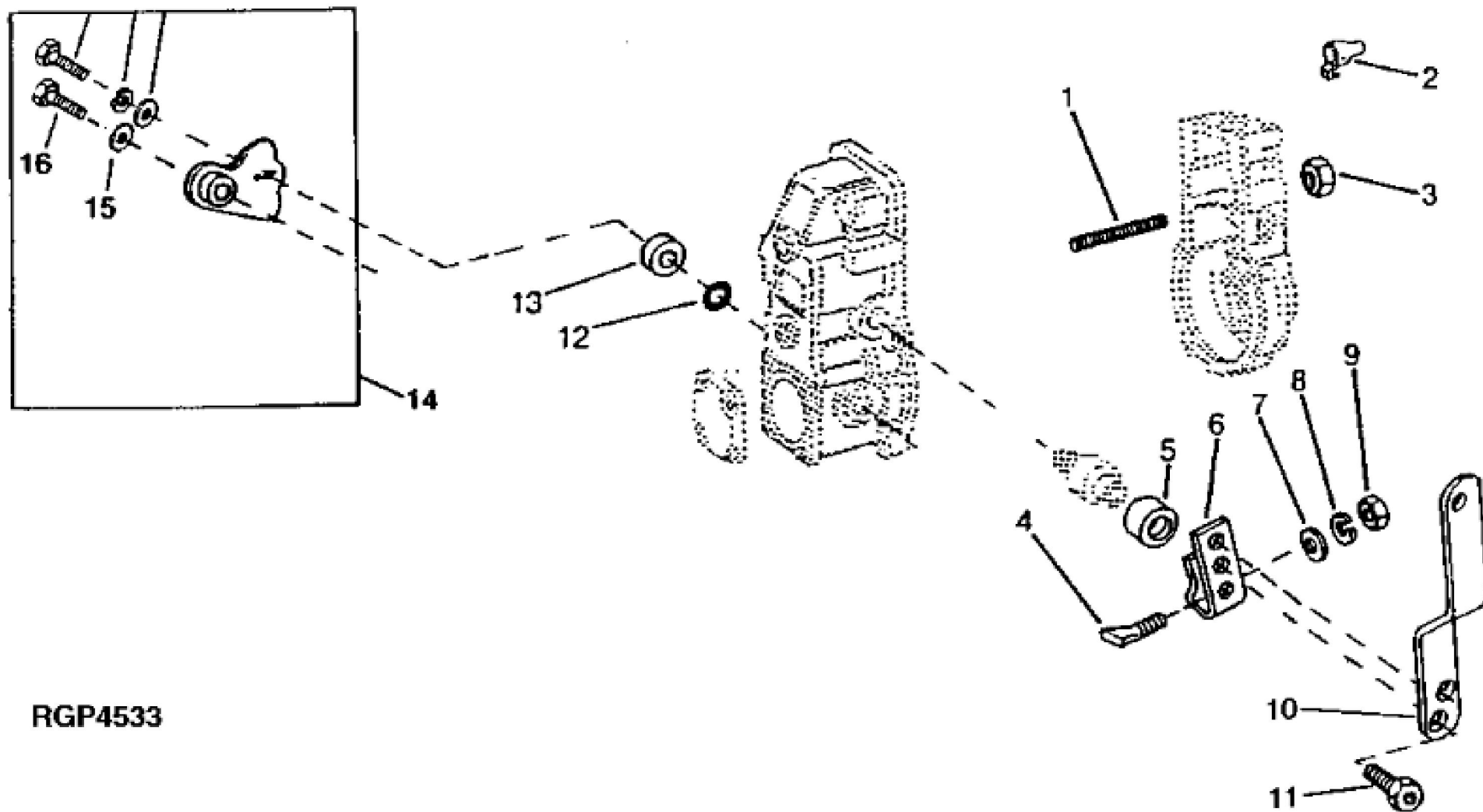
Hello dear friend!

Thank you very much for reading.

Enter the link into your browser.

The full manual is available for immediate download.

<https://www.ebooklibonline.com>



RGP4533

John Deere > Construction And Forestry > EXCAVATOR > 792DLC - EXCAVATOR > 792DLC Excavator > 04 ENGINE 4 6076AT033 > 0413 FUEL INJECTION SYSTEM 6076AT033 6076AT033 > ST296866 - FUEL INJECTION PUMP GOVERNOR LEVERS (ROBERT BOSCH)

KEY	PART NO.	PART NAME	QTY	REMARKS
1	R60914	SCREW	1	
2	R53918	PACKING	1	
3	T31556	NUT	1	
4	R68715	PIN	1	
5	AR89339	SEAL	1	
6	AR89578	LEVER	1	
7	24M7054	WASHER	1	6.400 X 12 X 1.600 mm
8	T24229	LOCK WASHER	1	
9	R68716	NUT	1	
10	R127915	LEVER	1	(THROTTLE)
11	19M8826	SCREW	2	M6 X 16
12	R53955	O-RING	1	
13	R68438	RETAINER	1	
14	RE54741	LEVER	1	(SHUT-OFF)
15	24H1287	WASHER	1	9/32" X 5/8" X 0.065"
16	19H1914	CAP SCREW	1	1/4" X 1"



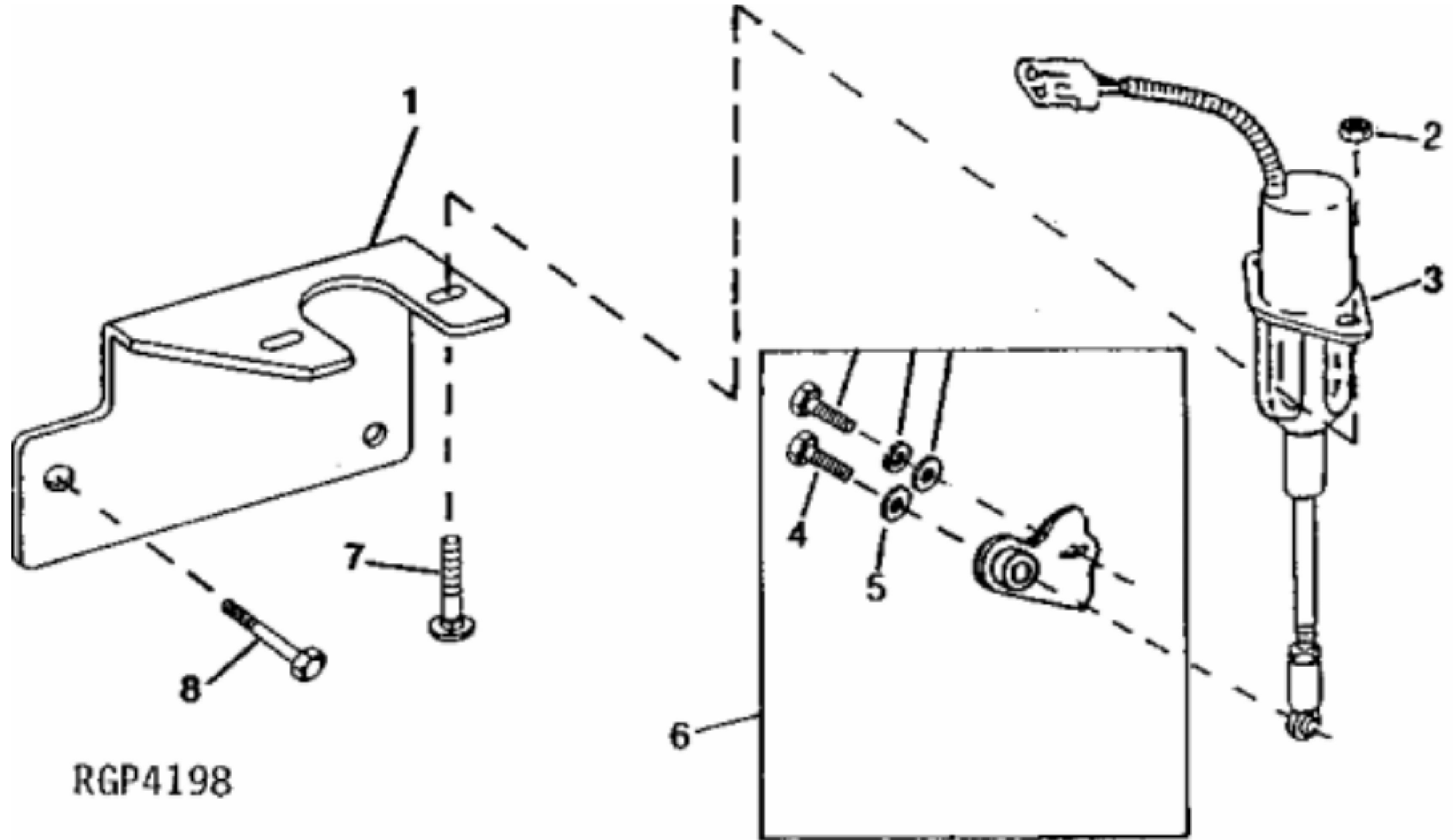
Suggest:

For more complete manuals. Please go to the home page.

<https://www.ebooklibonline.com>

If the above button click is invalid. Please download this document first, and then click the above link to download the complete manual.

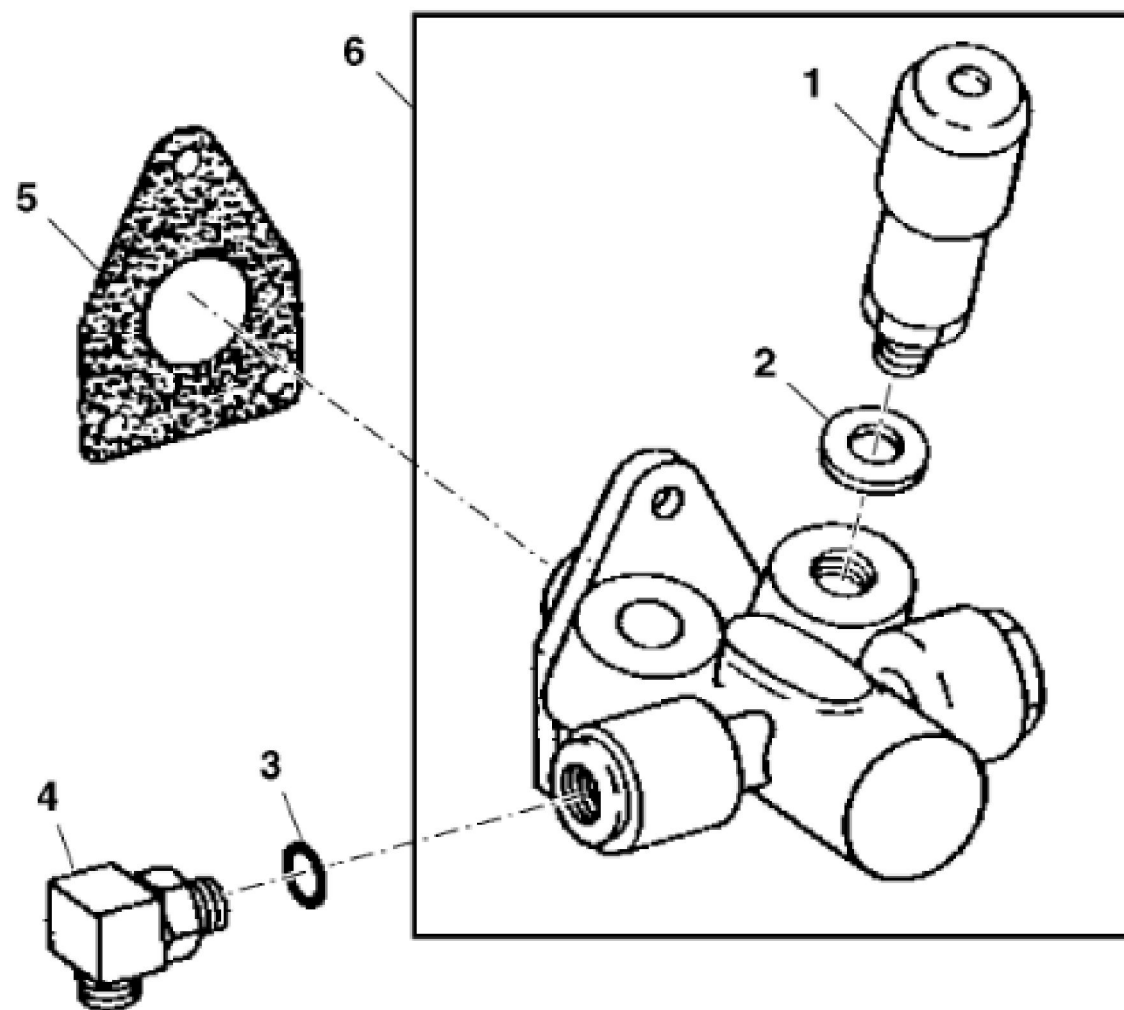
Thank you so much for reading



RGP4198

John Deere > Construction And Forestry > EXCAVATOR > 792DLC - EXCAVATOR > 792DLC Excavator > 04 ENGINE 4 6076AT033 > 0413 FUEL INJECTION SYSTEM 6076AT033 6076AT033 > ST296867 - FUEL SHUT-OFF BRACKET AND ELECTRIC SHUT-OFF SOLENOID

KEY	PART NO.	PART NAME	QTY	REMARKS
1	R120533	BRACKET	1	
2	14M7165	LOCK NUT	2	M6
3	RE55416	RELAY	1	(24 VOLT)
4	19H1914	CAP SCREW	1	1/4" X 1"
5	24H1287	WASHER	1	9/32" X 5/8" X 0.065"
6	RE54741	LEVER	1	
7	03M7068	BOLT	2	M6 X 20
8	19H1822	CAP SCREW	2	7/16" X 1"



RGP3934

<https://www.ebooklibonline.com>

Hello dear friend!

Thank you very much for reading.

Enter the link into your browser.

The full manual is available for immediate download.

<https://www.ebooklibonline.com>