

MP20463

KEY	PART NO.	PART NAME	QTY	REMARKS
1	M801186	BOLT	14	
2	M806440	ENGINE CYLINDER HEAD GASKET	1	
3	AM878597	CYLINDER BLOCK	1	
4	CH10335	PLUG	3	
5	PT13744	PLUG	1	
6	M802255	PIN	4	
7	M806840	PLUG	1	(SUB FOR M800973)
8	CH18079	SPRING PIN	2	
9	30M7023	PLUG	6	
10	15H562	PIPE PLUG	1	1"
11	M800977	BUSHING	1	CAMSHAFT
12	M800978	SHAFT	1	IDLER
13	CH19101	BOLT	2	
14	M87801	PLUG	2	
15	M800974	PIPE	2	
16	MIA880555	BEARING	2	THRUST, (SUB FOR AM875373)
17	AM875371	BEARING KIT	4	MAIN, STD
17	MIA880550	BEARING	4	.25MM (.010") US, MAIN (SUB FOR AM875374)
18	BEARING CAP	3	
19	M801189	BOLT	8	
20	BEARING CAP	1	
..	AM880675	SHORT BLOCK ASSEMBLY	1	EPA

<https://www.ebooklibonline.com>

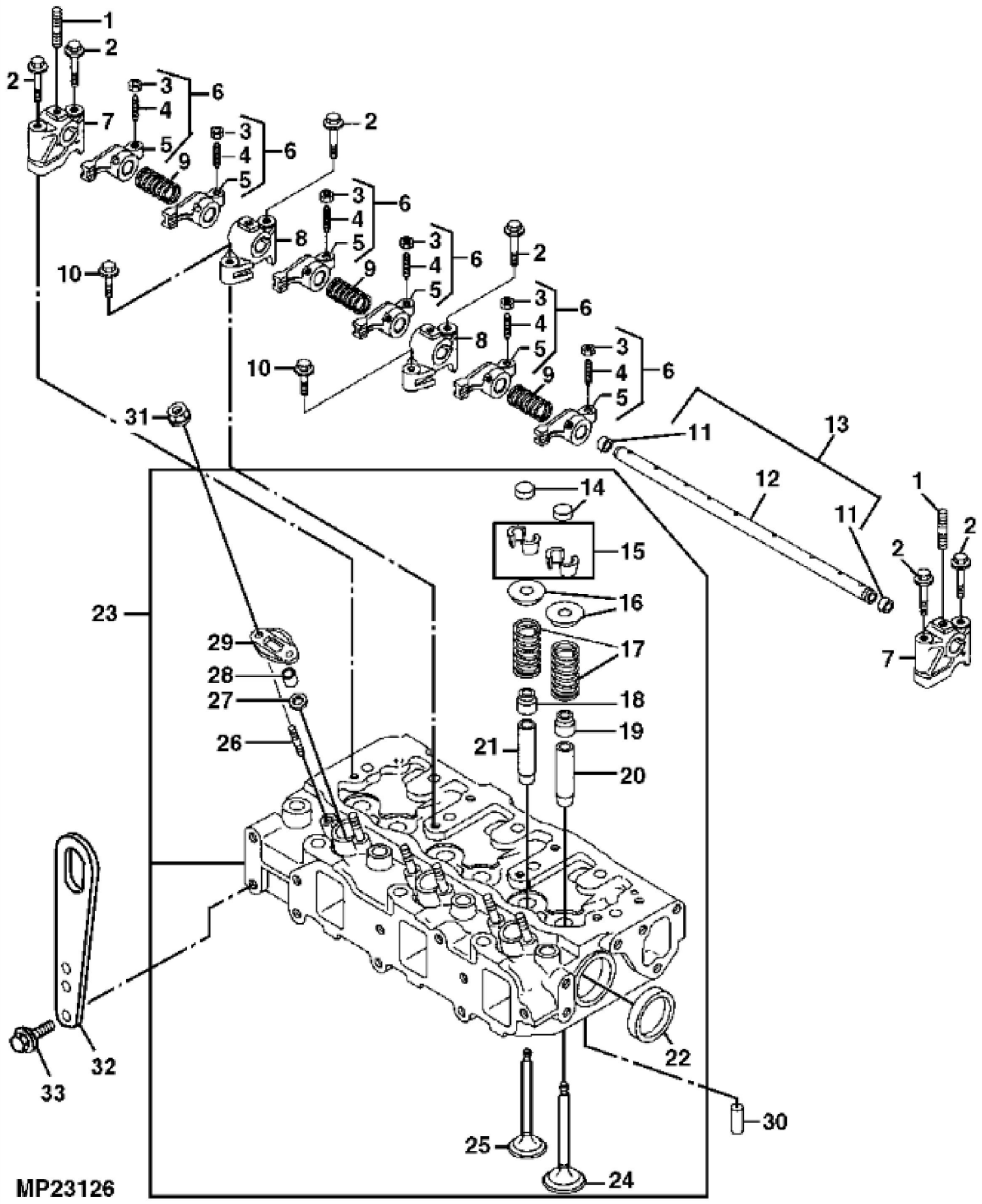
Hello dear friend!

Thank you very much for reading.

Enter the link into your browser.

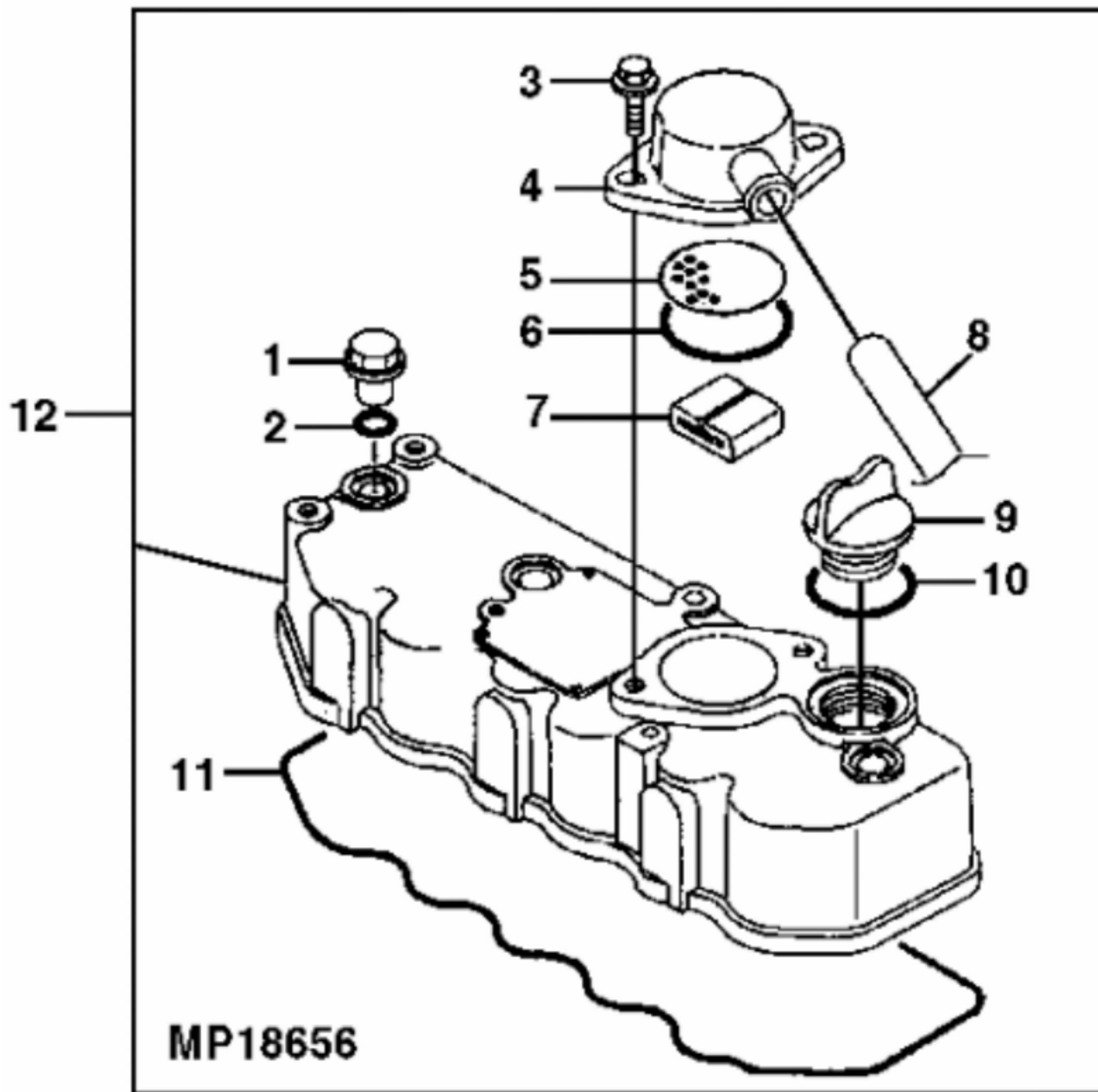
The full manual is available for immediate download.

<https://www.ebooklibonline.com>



MP23126

KEY	PART NO.	PART NAME	QTY	REMARKS
1	M801024	STUD	3	
2	19M7800	SCREW	6	M8 X 50
3	M801028	NUT	1	
4	M801027	SCREW	1	
5	ROCKER ARM	1	
6	AM875383	ROCKER ARM	6	
7	M801022	SUPPORT	2	ROCKER ARM
8	M801023	SUPPORT	2	ROCKER ARM
9	M801025	SPRING	3	
10	19M7867	SCREW	2	M8 X 25
11	M800002	PLUG	2	
12	ROCKER ARM SHAFT	1	
13	AM875534	SHAFT	1	SUPPORT
14	M801224	CAP	6	
15	AM878862	RETAINER KIT	6	(2 PER PKG), VALVE RETAINER
16	M801223	RETAINER	6	SPRING
17	M801222	SPRING	6	VALVE
18	T110650	SEAL	3	EXHAUST VALVE
19	CH10450	SEAL	3	INTAKE VALVE
20	M801227	GUIDE	3	INTAKE VALVE
21	M801228	GUIDE	3	EXHAUST VALVE
22	CH16751	PLUG	2	
23	AM878547	CYLINDER HEAD	1	
24	M801220	INTAKE VALVE	3	
25	M801221	EXHAUST VALVE	3	
26	M801219	BOLT	6	
27	M801017	VALVE SEAT	3	
28	M801016	GUARD	3	(SUB FOR M810460)
29	M801018	RETAINER	3	
30	CH18079	SPRING PIN	2	
31	14M7303	FLANGE NUT	6	M6
32	AT211695	LIFT ARM	2	
33	19M7865	BOLT	4	





Suggest:

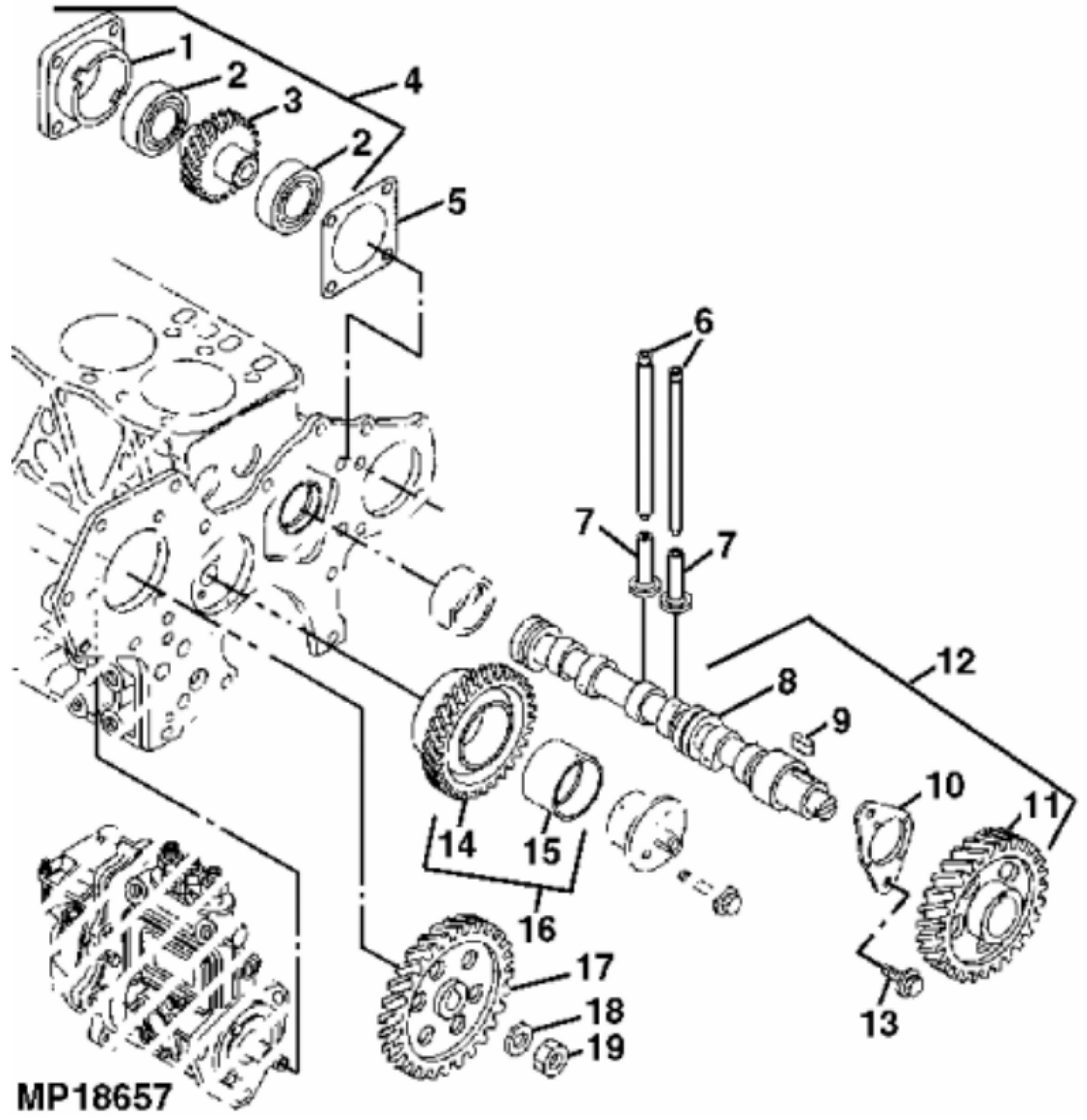
For more complete manuals. Please go to the home page.

<https://www.ebooklibonline.com>

If the above button click is invalid. Please download this document first, and then click the above link to download the complete manual.

Thank you so much for reading

KEY	PART NO.	PART NAME	QTY	REMARKS	
1	CH10348	NUT	3		
2	CH10568	PACKING	3		
3	19M7865	SCREW	2	M8 X 16	
4	M801031	CAP	1		
5	M801033	PLATE	1		
6	M801034	O-RING	1		
7	M801032	DEFLECTOR	1		
8	M801037	HOSE	1	BREATHER	
9	M805710	CAP	1		
10	M805711	PACKING	1		
11	M801741	PACKING	1		
12	AT110858	VALVE COVER	1		



MP18657

<https://www.ebooklibonline.com>

Hello dear friend!

Thank you very much for reading.

Enter the link into your browser.

The full manual is available for immediate download.

<https://www.ebooklibonline.com>