

RGP2698

John Deere > Construction And Forestry > EXCAVATOR > 792 - EXCAVATOR > 790 and 792 Excavators > 4 ENGINE 4 > CAMSHAFT AND VALVE ACTUATING MEANS 0402 > 0402-3 - ROCKER ARM COVER AND ENGINE VENTILATOR OUTLET [01D10]

KEY	PART NO.	PART NAME	QTY	Engine Serial No.	REMARKS
1	R99793	HOSE	1		(SUB FOR R60753) (MAKE FROM TY22450)
1	TY22450	BULK HOSE	AR		(BULK)
2	AR103811	SCREW WITH WASHER	8	____-329283	1/4" X 3/4"
2	AR100124	SCREW WITH WASHER	8	329284-____	
3	TY22467	CLAMP	3		(SUB FOR AR21839)
4	T20294	CAP	1		
5	T20328	GASKET	1		
6	AR93173	COVER	1		
7	R49866	GASKET	1		
8	R50388	TUBE	1		
9	R79961	HOSE	1		(MAKE FROM TY22450)
..	TY24446	ADHESIVE	1		(SUB FOR AR31790)

<https://www.ebooklibonline.com>

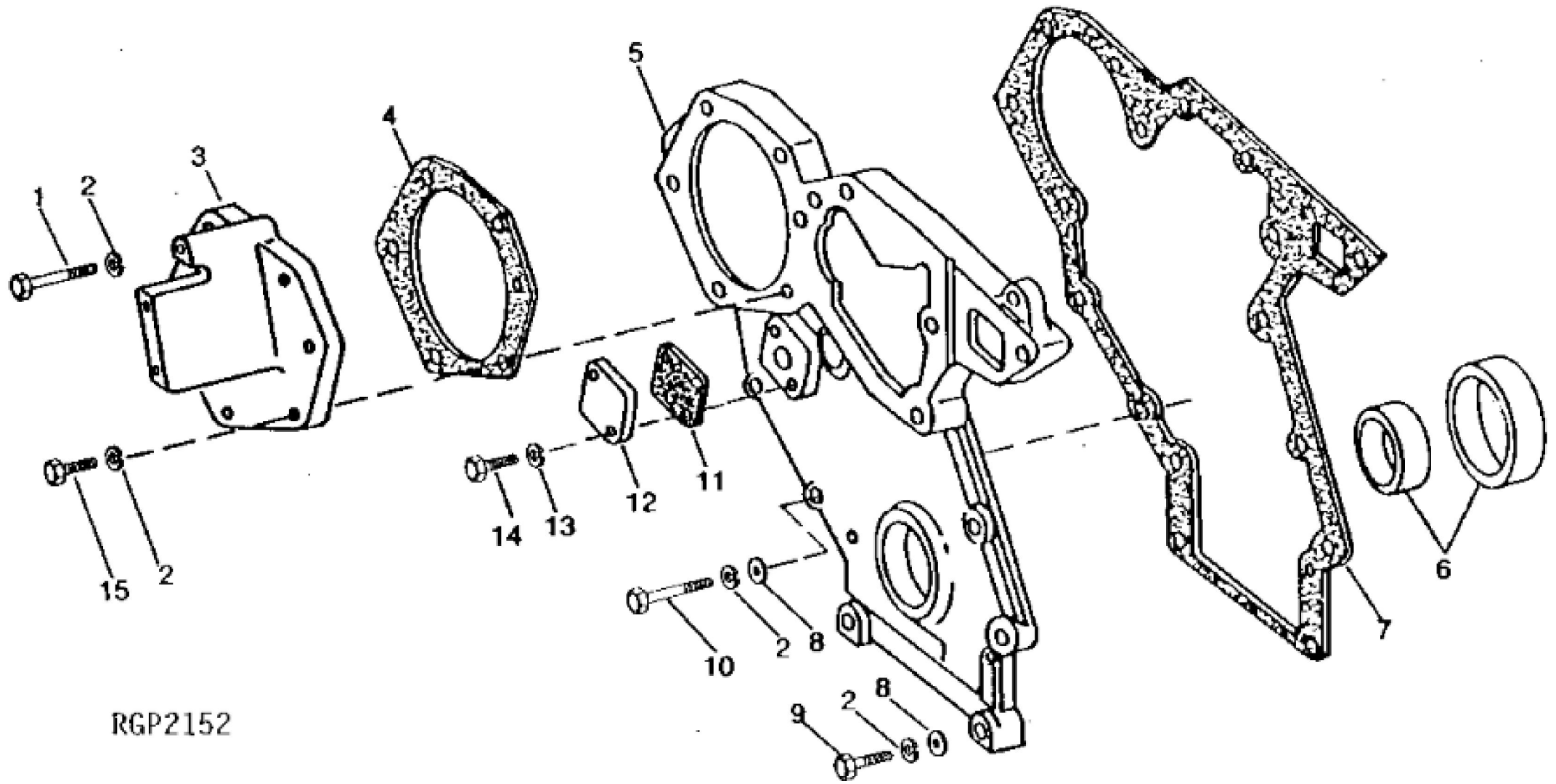
Hello dear friend!

Thank you very much for reading.

Enter the link into your browser.

The full manual is available for immediate download.

<https://www.ebooklibonline.com>



RGP2152

John Deere > Construction And Forestry > EXCAVATOR > 792 - EXCAVATOR > 790 and 792 Excavators > 4 ENGINE 4 > CAMSHAFT AND VALVE ACTUATING MEANS 0402 > 0402-4 - CRANKSHAFT FRONT OIL SEAL AND TIMING GEAR COVER [01D11]

KEY	PART NO.	PART NAME	QTY	REMARKS
1	19H1921	CAP SCREW	5	5/16" X 3-1/4"
2	12H303	LOCK WASHER	6	5/16", (NO LONGER REQUIRED)
3	R79809	COVER	1	
4	R50390	GASKET	1	
5	R71316	COVER	1	
6	AR49025	SEAL	1	
7	R71314	GASKET	1	
8	24H1136	WASHER	6	11/32" X 11/16" X 0.065"
9	19H3552	CAP SCREW	4	5/16" X 1-1/2"
10	19H2713	CAP SCREW	2	5/16" X 1-7/8"
11	R67770	GASKET	1	
12	R67769	COVER	1	
13	12H302	LOCK WASHER	2	1/4"
14	19H1732	CAP SCREW	2	3/8" X 1-1/4"
15	19H1849	CAP SCREW	1	5/16" X 1-1/4"



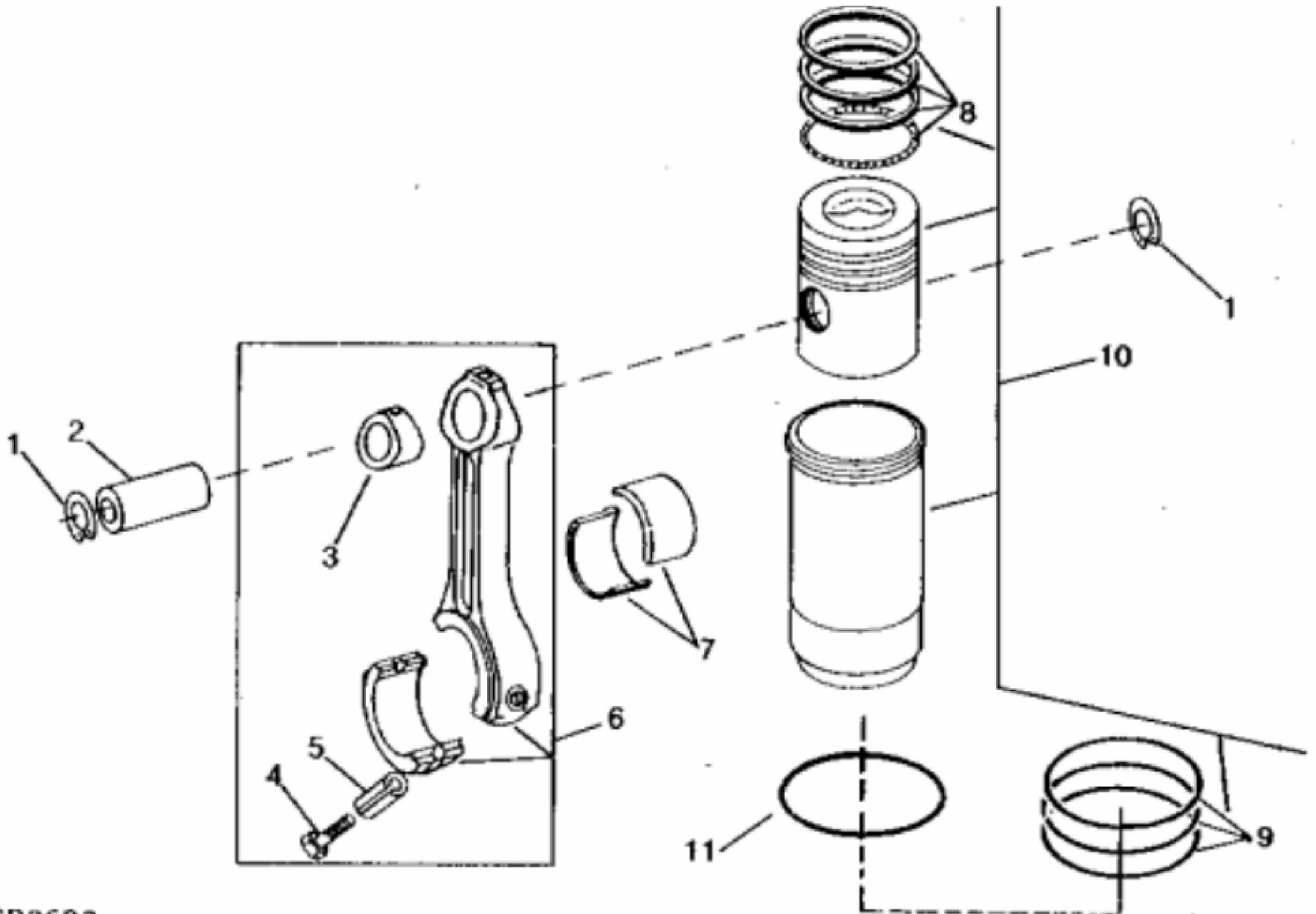
Suggest:

For more complete manuals. Please go to the home page.

<https://www.ebooklibonline.com>

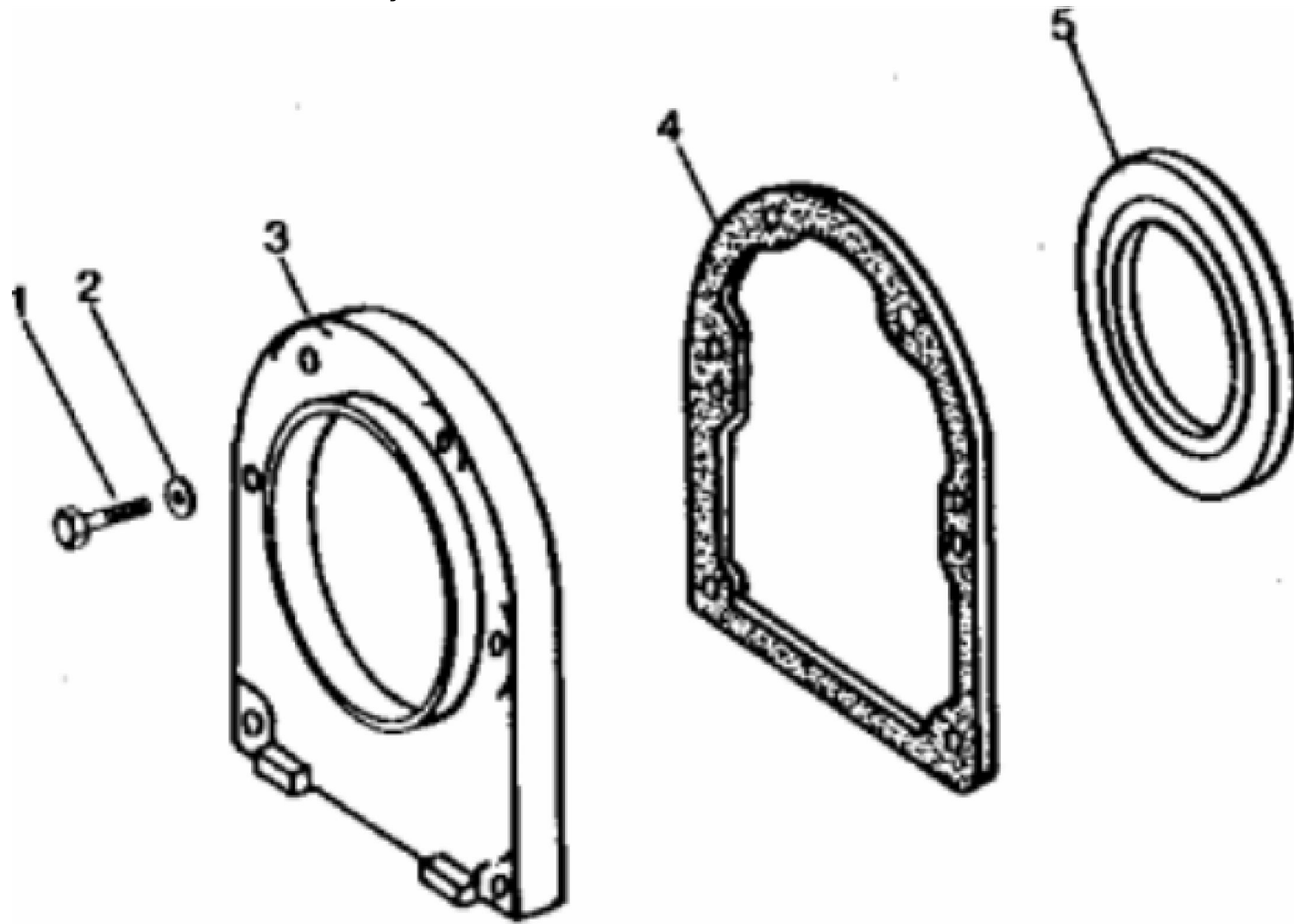
If the above button click is invalid. Please download this document first, and then click the above link to download the complete manual.

Thank you so much for reading

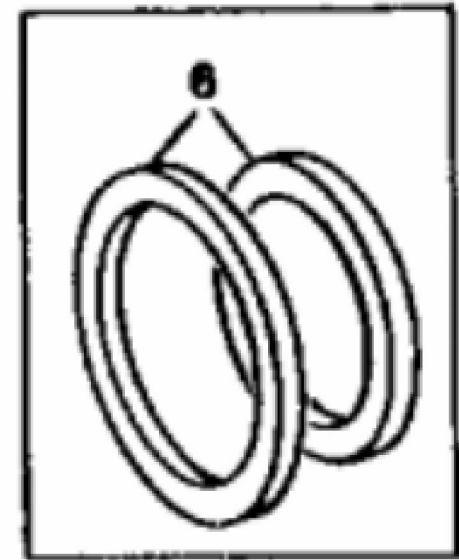


John Deere > Construction And Forestry > EXCAVATOR > 792 - EXCAVATOR > 790 and 792 Excavators > 4 ENGINE 4 > CONNECTING RODS AND PISTONS 0403 > 0403-1 - PISTONS, RINGS, LINERS AND CONNECTING RODS [01D12]

KEY	PART NO.	PART NAME	QTY	REMARKS
1	E1343FN	SNAP RING	12	
2	R57771	PISTON PIN	6	
3	R74008	BUSHING	6	
4	R66452	CAP SCREW	12	
5	R53292	SLEEVE	12	
6	AR93341	CONNECTING ROD	6	(SUB (6) SE500498) (MARKED R71074)
6	SE500498	CONNECTING ROD	6	(REMANUFACTURED)
7	AR73277	BEARING	AR	STD (PKG (2) R57583)
7	AR73278	BEARING	AR	0.05MM (.002") US (PKG (2) R60485)
7	AR73279	BEARING	AR	0.25MM (.010") US (PKG (2) R60486)
7	AR73280	BEARING	AR	0.51MM (.020") US (PKG (2) R60487)
7	AR73281	BEARING	AR	0.76MM (.030") US (PKG (2) R60488)
8	RE48380	PISTON RING KIT	6	(SUB FOR AR73627) (USE WITH AR98838 OR AR100616)
9	AR98850	O-RING KIT	6	
10	RE60282	PISTON-LINER KIT	6	(MARKED AR100616 OR AR98838) (SUB FOR AR100646)
11	R93948	SHIM	2	0.05MM (.002") (MAX.)
..	RE60283	ENGINE OVERHAUL KIT	1	(CONTAINS (6) RE60282 PISTON LINER KITS, GASKET KIT, STD BEARINGS, FRONT/REAR SEALS AND SNAP RINGS) (ALSO ORDER R66452 ROD BOLTS) (SUB FOR RG18847)



RGP2352



<https://www.ebooklibonline.com>

Hello dear friend!

Thank you very much for reading.

Enter the link into your browser.

The full manual is available for immediate download.

<https://www.ebooklibonline.com>