

John Deere > Construction And Forestry >CRAWLER LOADER >755C - CRAWLER LOADER >755C Crawler Loader (Worldwide Edition) >04 ENGINE >0404 CYLINDER BLOCK >ST122761 - ENGINE
 CYLINDER BLOCK WITH BEARING CAPS, FROST PLUGS, AND SEALS

KEY	PART NO.	PART NAME	QTY	REMARKS
1	AT276710	CYLINDER BLOCK	1	
2	AT274036	PLUG	6	
3	AT274044	PLUG	4	
4	AT260902	RING	4	
5	AT274067	PIPE PLUG	4	
6	AT301942	SEALING RING	9	SUB FOR AT274551
7	PMH3075	FITTING	9	SUB FOR AT274648
7	XED10X1X	FITTING	1	
8	AT274600	SEAL	2	
9	LW7362698	SELF-LOCKING SCREW	2	SUB FOR AT274552 AND PMH3085
10	AT274018	SEAL	1	
11	PMH3080	FITTING	1	SUB FOR AT261789
11	PMH3829	FITTING	1	
12	AT279894	ORIFICE	12	
13	AT274043	PLUG	2	
14	AT274041	SPRING PIN	12	
15	AT275334	BOLT	14	
16	AT275341	SPACER	14	
18	AT275296	BUSHING	7	

<https://www.ebooklibonline.com>

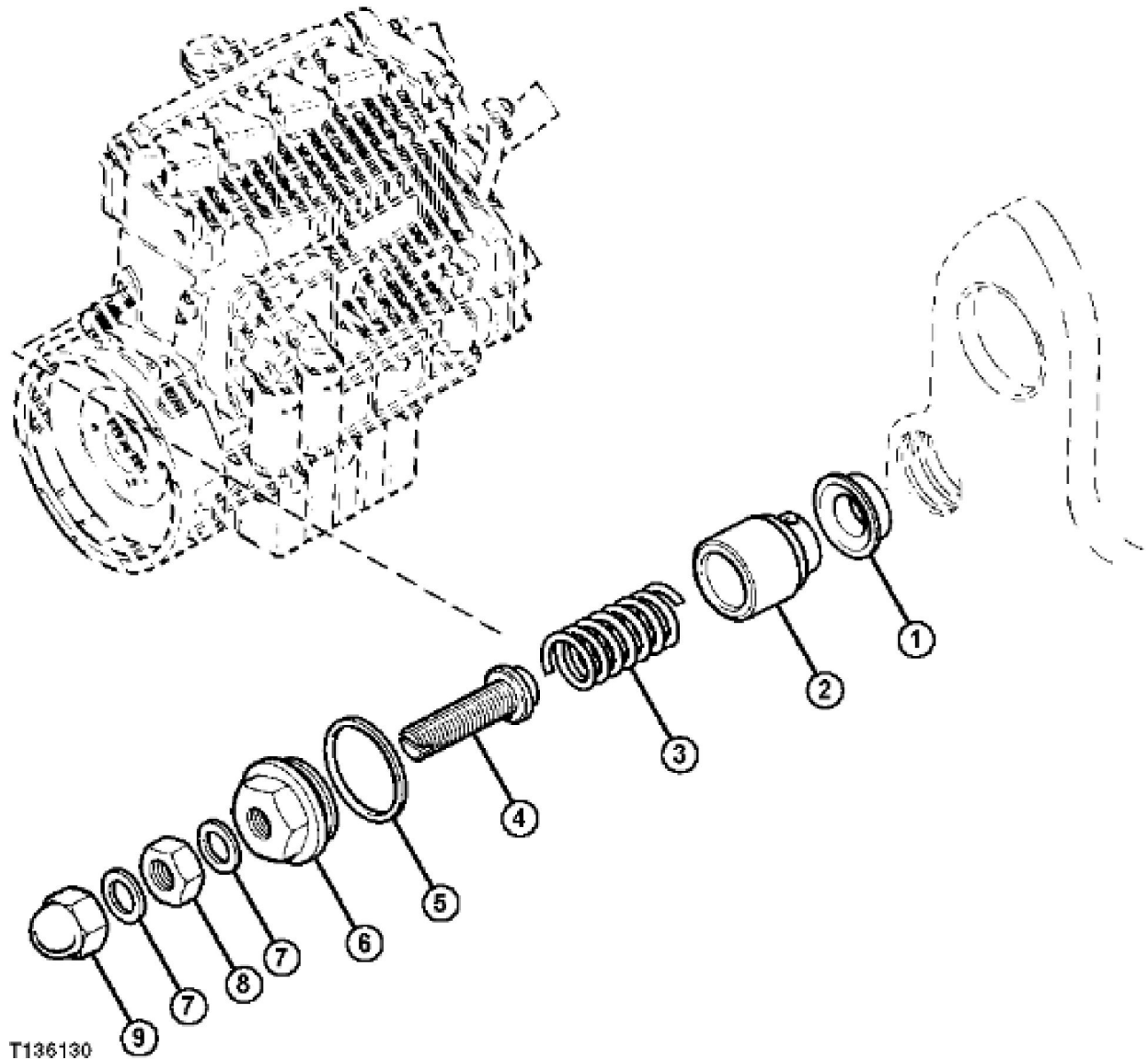
Hello dear friend!

Thank you very much for reading.

Enter the link into your browser.

The full manual is available for immediate download.

<https://www.ebooklibonline.com>



T136130

PRESSURE REGULATING VALVE

KEY	PART NO.	PART NAME	QTY	REMARKS	
1	AT275298	VALVE SEAT	1		
2	AT275305	PISTON	1		
3	AT275316	COMPRESSION SPRING	1		
4	AT275346	BOLT	1		
5	AT218825	SEALING WASHER	1		
6	AT275345	PIPE PLUG	1		
7	AT218823	SEALING WASHER	2		
8	AT275308	NUT	1		
9	AT274096	NUT	1		



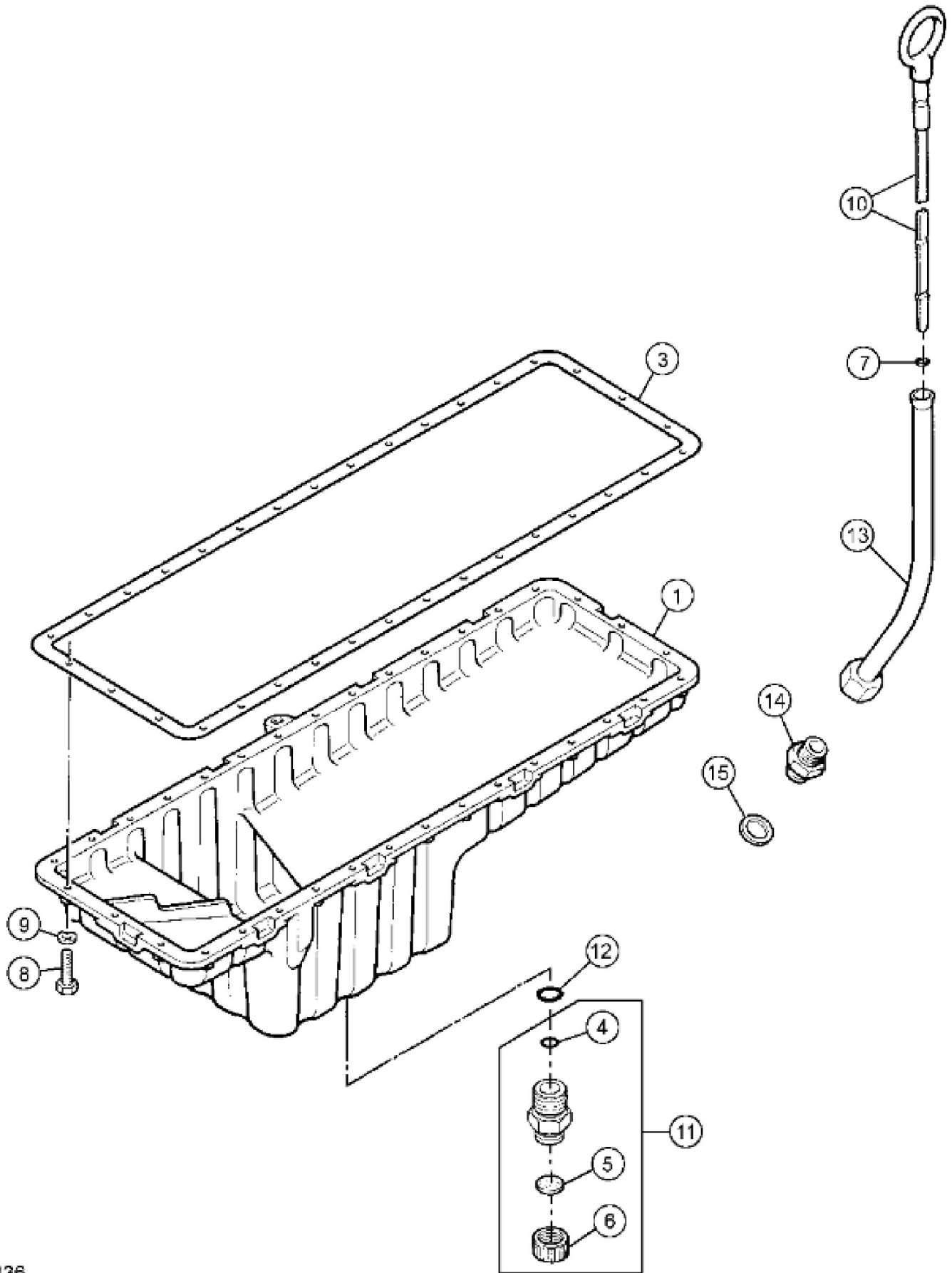
Suggest:

For more complete manuals. Please go to the home page.

<https://www.ebooklibonline.com>

If the above button click is invalid. Please download this document first, and then click the above link to download the complete manual.

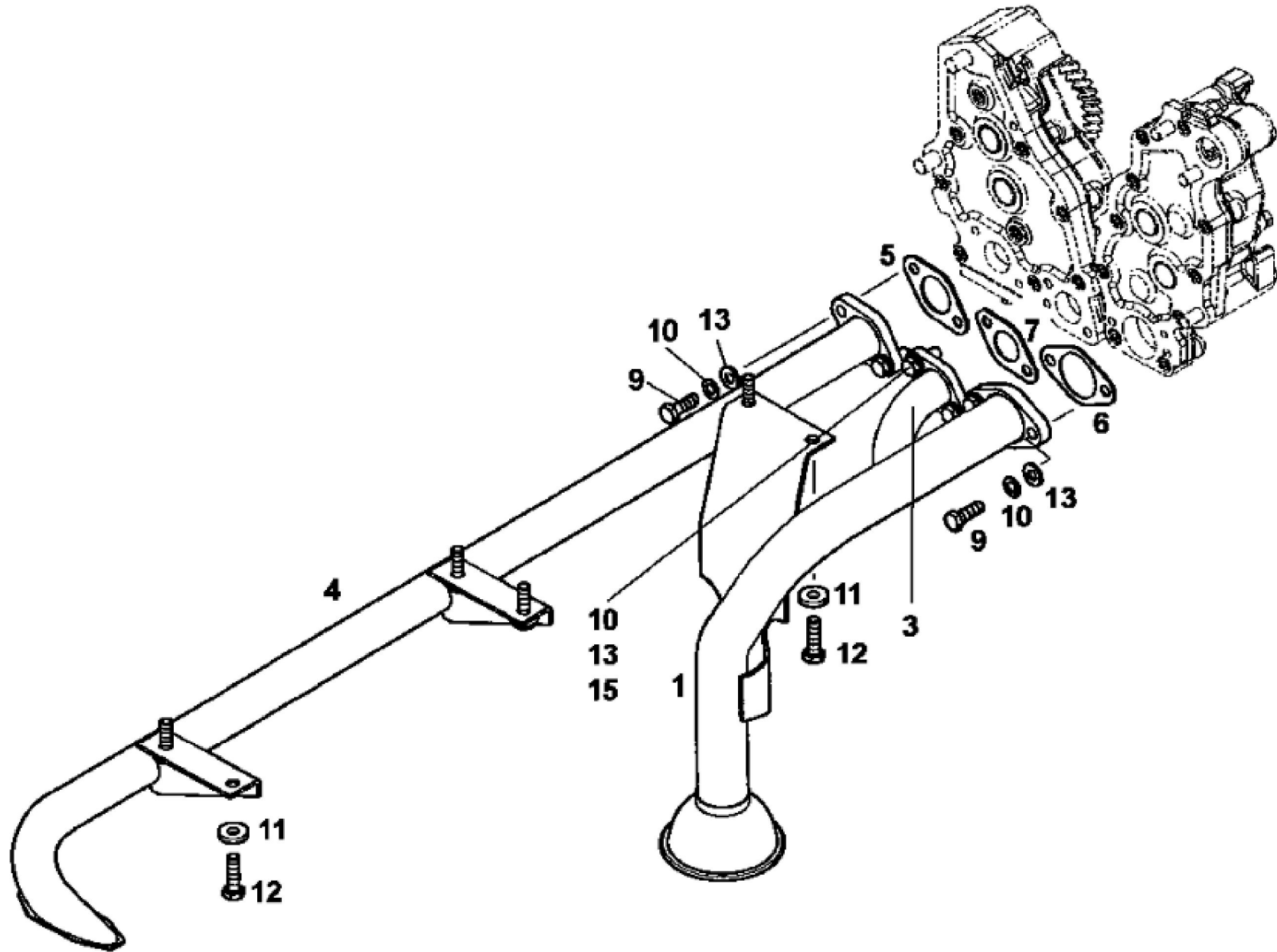
Thank you so much for reading



T208336

John Deere > Construction And Forestry >CRAWLER LOADER >755C - CRAWLER LOADER >755C Crawler Loader (Worldwide Edition) >04 ENGINE >0407 ENGINE OILING SYSTEM >ST122763 - ENGINE OIL PAN,DIPSTICK AND DIPSTICK TUBE AND DRAIN VALVE

KEY	PART NO.	PART NAME	QTY	Serial No.	REMARKS
1	AT276432	OIL PAN	1		
1	AT275303	TUBE KIT	3		
3	AT276417	GASKET	1		
4	R104558	O-RING	1		(SUB FOR AT218828)
5	AT218659	SEALING WASHER	1		
6	AT218722	CAP	1		
7	AT274692	O-RING	1		
7	AT320748	O-RING	1	007092-_____	
8	19M7513	CAP SCREW	34		M8 X 30
9	12M5442	WASHER	34		8.400 X 15 X 0.800 mm
10	AT276418	DIPSTICK	1	_____-007091	
10	AT320257	DIPSTICK	1	007092-_____	
11	AT218506	DRAIN VALVE	1		
12	AT218825	SEALING WASHER	1		
13	AT275373	DIPSTICK TUBE	1		
14	XGE10LMEDCF	FITTING	1		SUB FOR AT218623
15	AT260902	RING	1		



T162331

<https://www.ebooklibonline.com>

Hello dear friend!

Thank you very much for reading.

Enter the link into your browser.

The full manual is available for immediate download.

<https://www.ebooklibonline.com>