

TP4426

John Deere > Construction And Forestry >CRAWLER LOADER >755A - CRAWLER LOADER >755A Crawler Loader >4 ENGINE 4 >CAMSHAFT AND VALVE ACTUATING MEANS 0402 >0402-4A - ROCKER ARM COVER CONVERSION KIT (ENGINE SERIAL NO. 556030-575423) (MANUFACTURED 1981-1983) [01H16]

KEY	PART NO.	PART NAME	QTY	REMARKS	
1	R74613	TUBE	1		
2	R56463	O-RING	1		
3	AR100312	VALVE COVER	1		
4	R75728	GASKET	1	(SUB FOR T20467 AND AR102260)	
5	AR100311	KIT	1	ROCKER ARM	

<https://www.ebooklibonline.com>

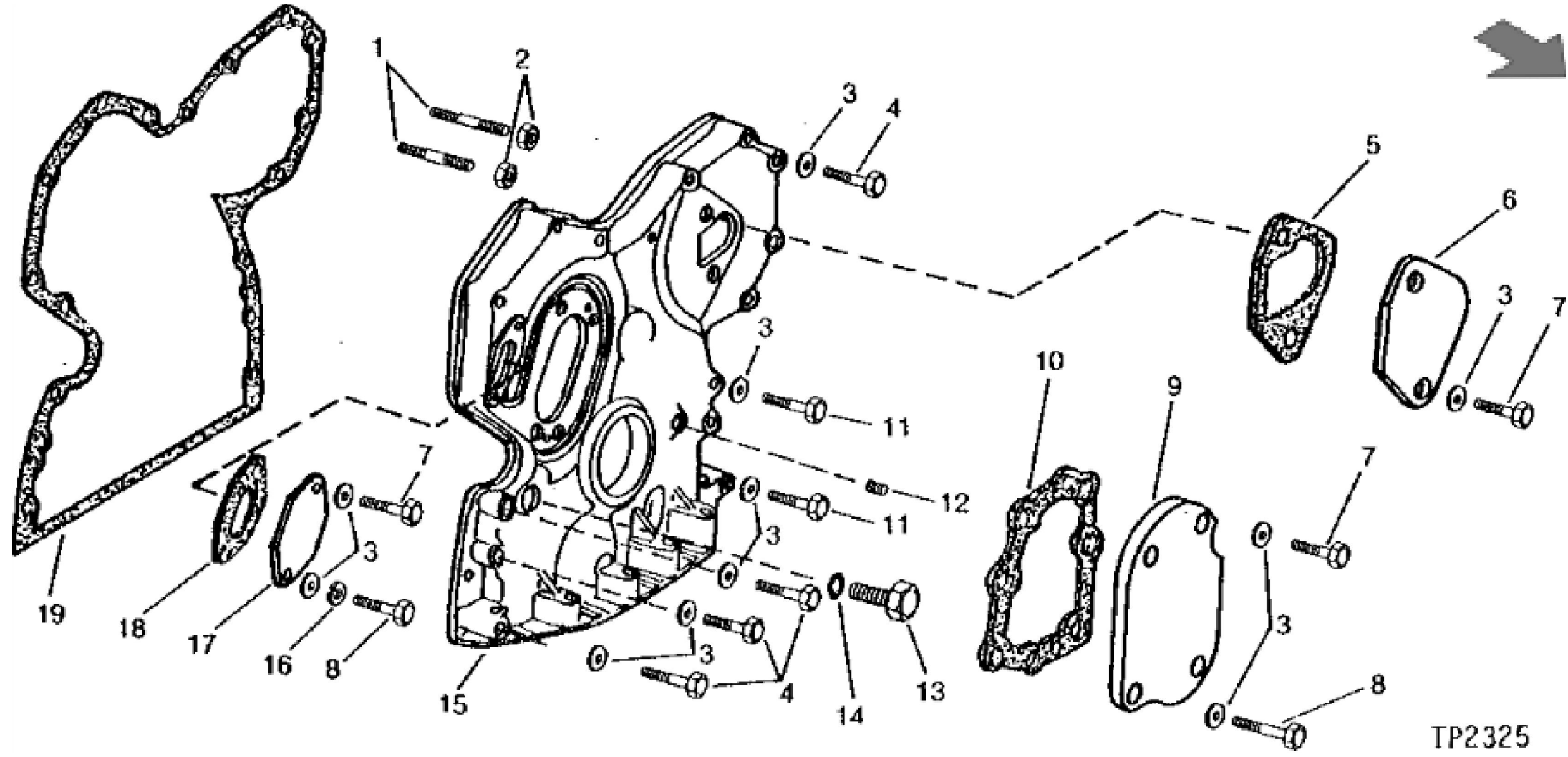
Hello dear friend!

Thank you very much for reading.

Enter the link into your browser.

The full manual is available for immediate download.

<https://www.ebooklibonline.com>



TP2325

John Deere > Construction And Forestry >CRAWLER LOADER >755A - CRAWLER LOADER >755A Crawler Loader >4 ENGINE 4 >CAMSHAFT AND VALVE ACTUATING MEANS 0402 >0402-5 - TIMING GEAR COVER [01H17]

KEY	PART NO.	PART NAME	QTY	REMARKS
1	R122226	STUD	2	(SUB FOR R122226)
2	14H812	NUT	2	3/8"
3	24H1304	WASHER	AR	13/32" X 23/32" X 0.120"
4	19H2549	CAP SCREW	10	3/8" X 1-7/8"
5	R78366	GASKET	1	(SUB FOR R69260)
6	R126041	COVER	1	(SUB FOR T20362)
7	19H2284	CAP SCREW	3	3/8" X 7/8"
7	R124277	CAP SCREW	3	(USE WITH T23260 AND (2) R126041) (SUB FOR R122618, THIS APPLICATION)
8	19H1726	CAP SCREW	2	3/8" X 2-1/4"
9	T20272	COVER	1	
10	T20273	GASKET	1	
11	19H3031	CAP SCREW	2	3/8" X 2-1/2"
12	15H275	PIPE PLUG	1	1/4"
13	T27657	FITTING PLUG	1	
14	A4827R	WASHER	1	
15	AR58196	COVER	1	(MARKED R52880) (ALSO ORDER T20272, T20273, (3) 19H2284, 19H1726, (4) 24H1304 AND 15H275)
16	12H304	LOCK WASHER	1	3/8"
17	T23260	COVER	1	
18	T20336	GASKET	1	
19	T20155	GASKET	1	



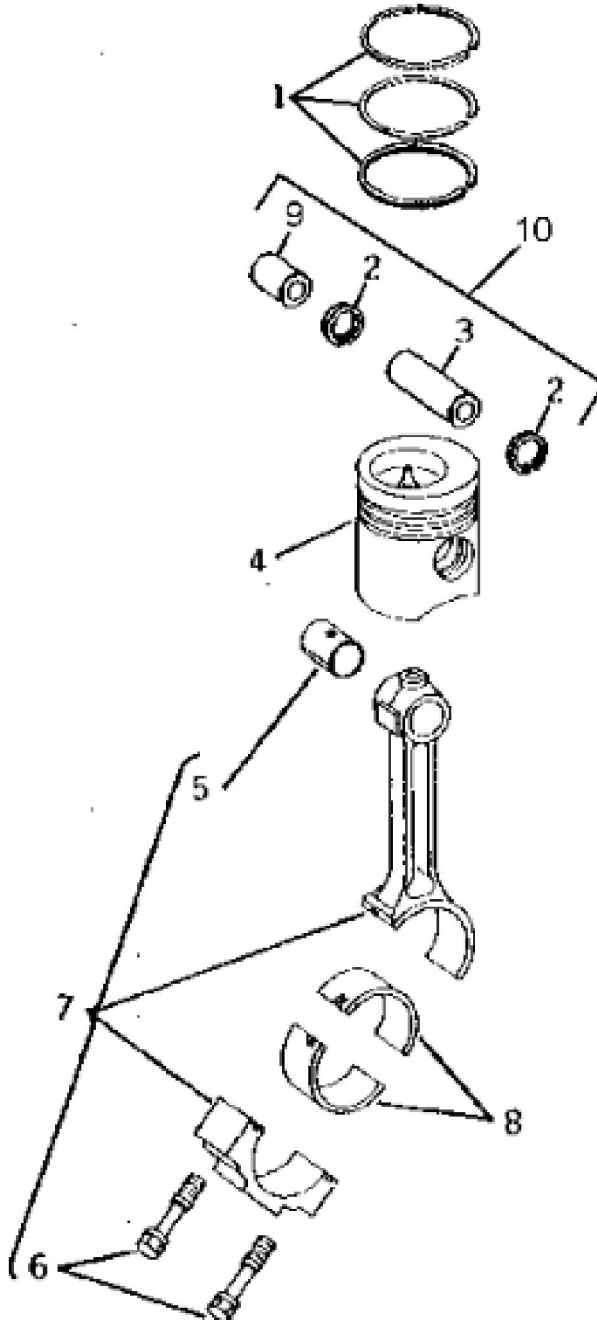
Suggest:

For more complete manuals. Please go to the home page.

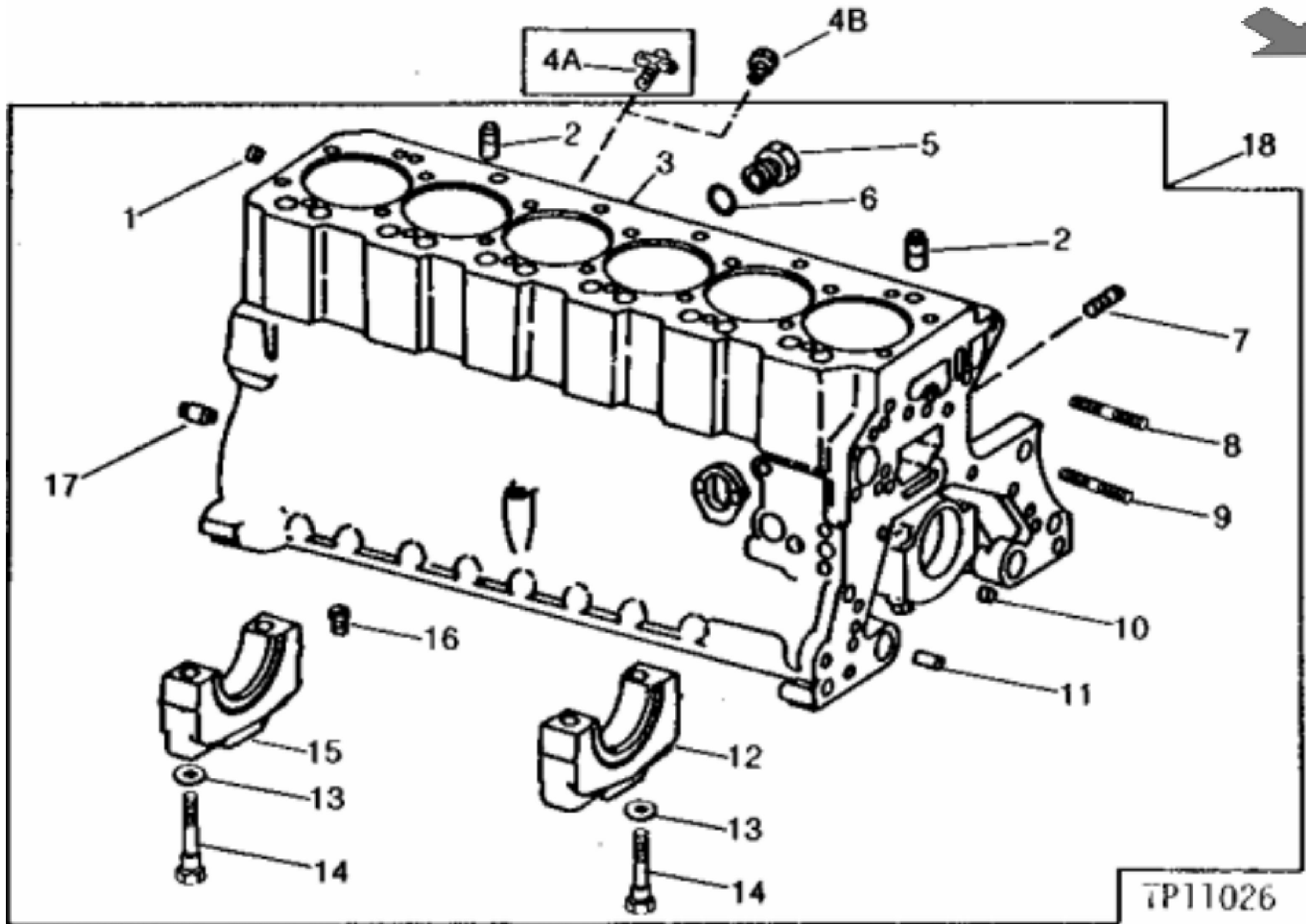
<https://www.ebooklibonline.com>

If the above button click is invalid. Please download this document first, and then click the above link to download the complete manual.

Thank you so much for reading



KEY	PART NO.	PART NAME	QTY	REMARKS
1	RE66820	PISTON RING KIT	6	(A) (B) (SET OF THREE RINGS) (SUB FOR RE15674 AND RE48818)
2	R54114	SNAP RING	12	
3	PIN	6	(R124230 NO LONGER AVAILABLE,FURNISH RE63913)
4	PISTON	6	(FURNISH RE19833)
5	BUSHING	6	(R56186 NO LONGER AVAILABLE)
6	R74195	SCREW	12	(SUB FOR R56445)
7	RE53716	CONNECTING ROD	6	(MARKED R116851) (SUB FOR AR66400) (MARKED R56187) WITH SCREWS AND BUSHING
8	AR69098	BEARING	6	STANDARD (SET OF (2) R54801)
8	AR68413	BEARING	6	.05 MM (.002") UNDERSIZE (SET OF (2) R57123)
8	AR68414	BEARING	6	.25 MM (.010") UNDERSIZE (SET OF (2) R57124)
8	AR68415	BEARING	6	.508 MM (.020") UNDERSIZE (SET OF (2) R57125)
8	AR68416	BEARING	6	.762 MM (.030") UNDERSIZE (SET OF (2) R57126)
9	BUSHING	6	
10	RE63913	KIT	6	
..	RE19833	KIT	6	(SUB FOR AR71597, RE16615 AND RE19832) LINER (CONTAINS CYLINDER LINER WITH O-RINGS AND PISTON WITH PISTON RINGS)



7P11026

<https://www.ebooklibonline.com>

Hello dear friend!

Thank you very much for reading.

Enter the link into your browser.

The full manual is available for immediate download.

<https://www.ebooklibonline.com>