

| KEY | PART NO. | PART NAME | QTY | Engine Serial No. | 750CII | REMARKS |
|-----|----------|----------------|-----|----------------------|--------|--|
| 1 | R48685 | DOWEL PIN | 4 | | X | |
| 2 | T18891 | PLUG | 2 | | X | |
| 3 | | CYLINDER BLOCK | 1 | | X | (MARKED R119565) (ORDER RE516152)(SHORTBLOCK) |
| 4 | R55233 | PIPE PLUG | 1 | | X | |
| 5 | R104592 | PIPE PLUG | 7 | | X | |
| 6 | R119874 | BUSHING | 1 | | X | CAMSHAFT |
| 7 | R132518 | PLATE | 1 | | X | |
| 8 | 19M8999 | SCREW | 2 | | X | M8 X 25 |
| 9 | R121043 | VALVE | 1 | | X | ENGINE OIL BY-PASS |
| 10 | R111137 | SPRING | 1 | | X | |
| 11 | R26493 | BUSHING | 1 | ____-889024 | X | OIL PRESSURE REGULATING |
| 12 | R116466 | BUSHING | 1 | | X | |
| 13 | R26650 | DOWEL PIN | 2 | | X | |
| 14 | 15H623 | PIPE PLUG | 1 | | X | 3/8" |
| 15 | R115390 | BUSHING | 1 | | X | |
| 16 | R75892 | O-RING | 1 | | X | |
| 17 | R114241 | BEARING CAP | 6 | | X | MAIN BEARING |
| 18 | T20168 | WASHER | 14 | | X | |
| 19 | T23474 | CAP SCREW | 14 | | X | |
| 20 | R132186 | BEARING CAP | 1 | | X | MAIN THRUST BEARING |
| 21 | R131182 | ORIFICE | 6 | | X | |
| 22 | R39741 | DRAIN PLUG | 1 | | X | |
| 23 | U13639 | O-RING | 1 | | X | 37.465 X 2.997 mm (1.475" X 0.118") |
| 24 | PM38655 | SEALANT | 1 | | X | (SUB FOR T43514)(PLASTIC GASKET) |
| 25 | AT13740 | DRAIN VALVE | 1 | | X | |
| 26 | R123616 | PLUG | 1 | | X | |
| 27 | RE46685 | FITTING PLUG | 1 | | X | |
| 28 | RE505501 | BLEED VALVE | 1 | 889025-____ | X | (OIL PRESSURE REGULATING) |

<https://www.ebooklibonline.com>

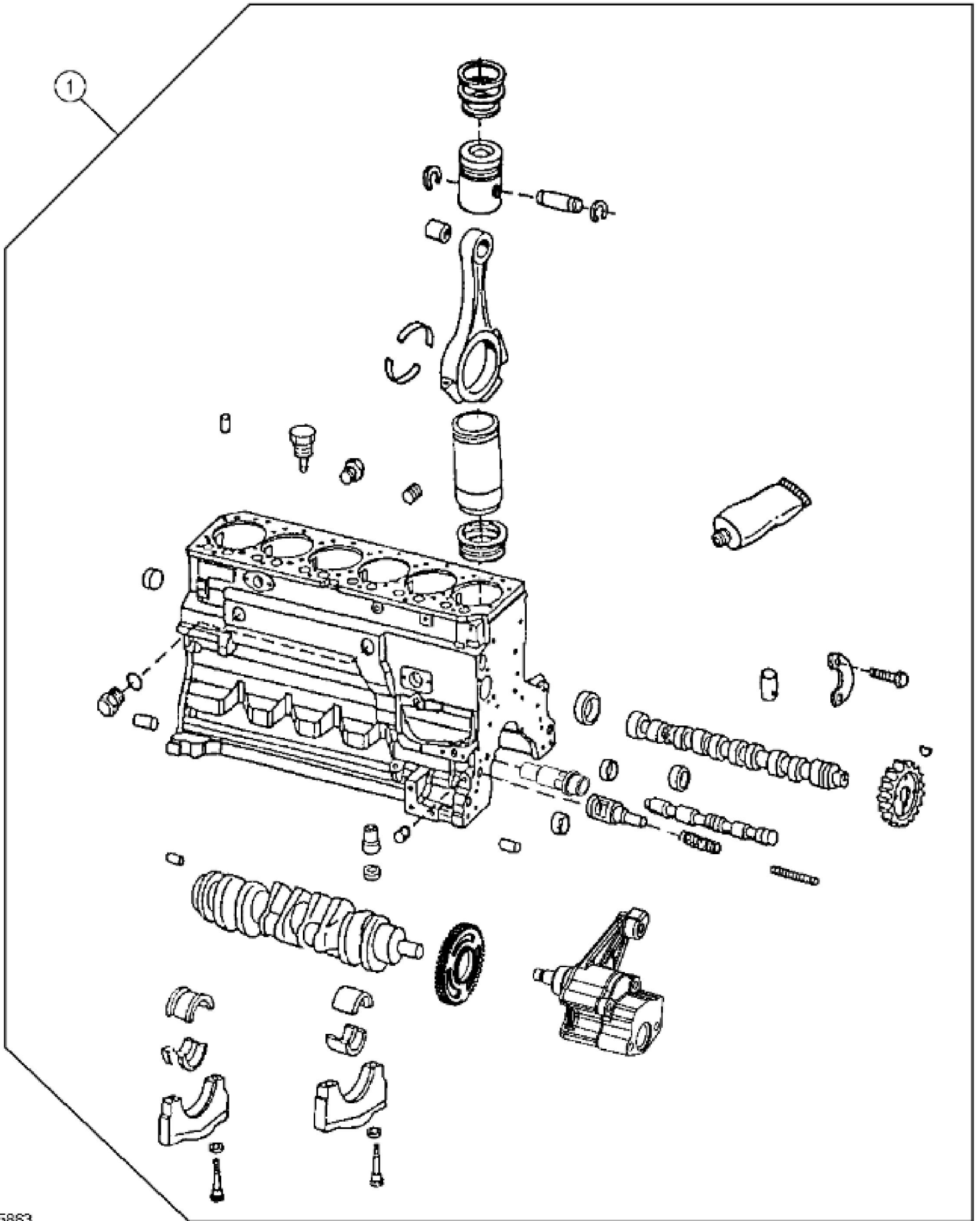
Hello dear friend!

Thank you very much for reading.

Enter the link into your browser.

The full manual is available for immediate download.

<https://www.ebooklibonline.com>



>ST262891 - ENGINE SHORT BLOCK (750C-II) TO6068TT052 / PE6068TT052

| KEY | PART NO. | PART NAME | QTY | 750CII | REMARKS |
|-----|----------|---------------------------|-----|--------|---|
| 1 | RE516152 | SHORT ENGINE | 1 | X | (MARKED R119565) (SUB FOR RE65965)(DOES NOT INCLUDE FRONT PLATE) |
| 1 | SE500730 | COMPLETE BLOCK ASSY REMAN | 1 | X | (Use With Stanadyne Rotary Fuel Injection Pump) |
| .. | SE501273 | DIESEL ENGINE REMAN | 1 | X | |



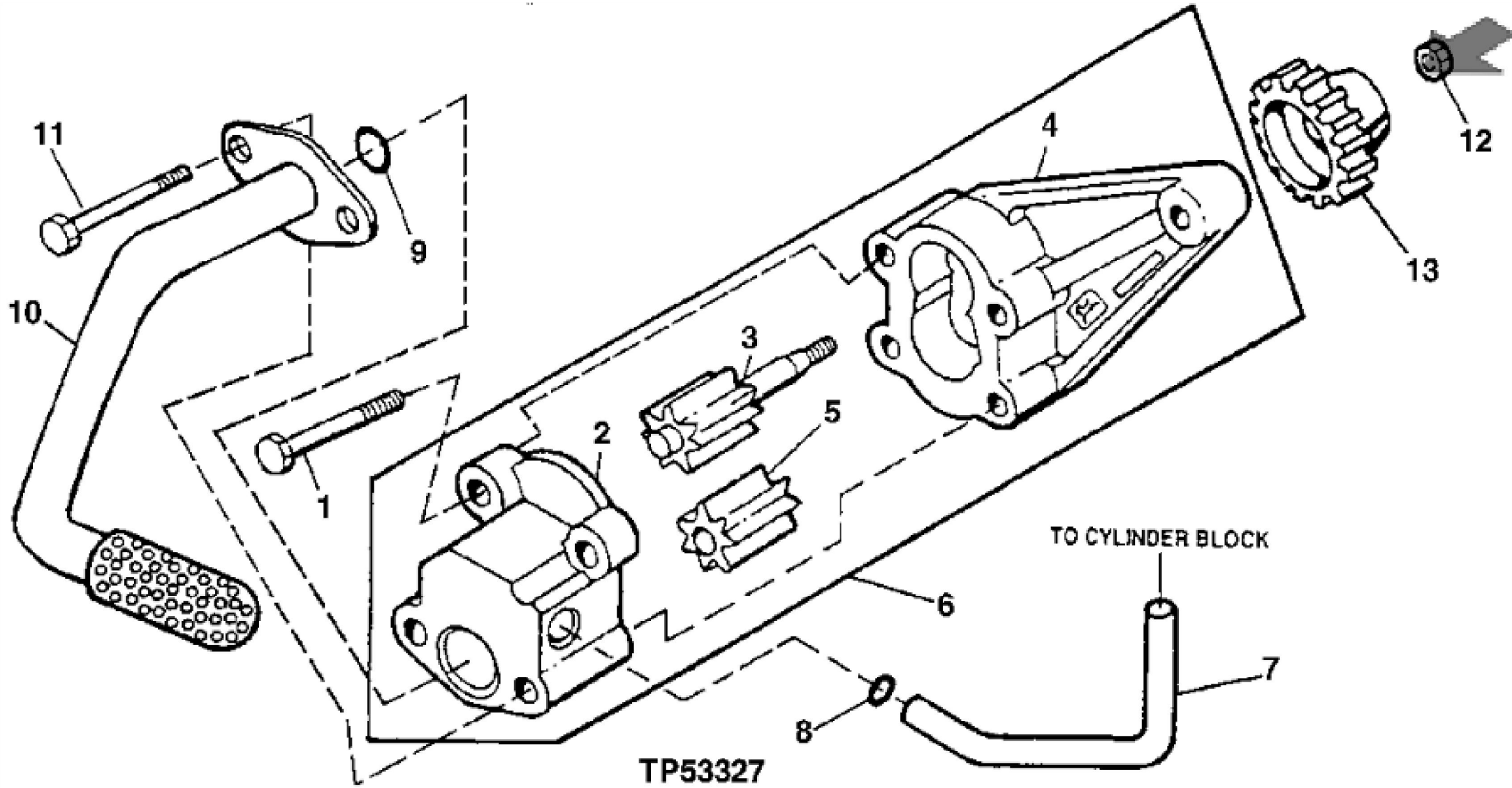
Suggest:

For more complete manuals. Please go to the home page.

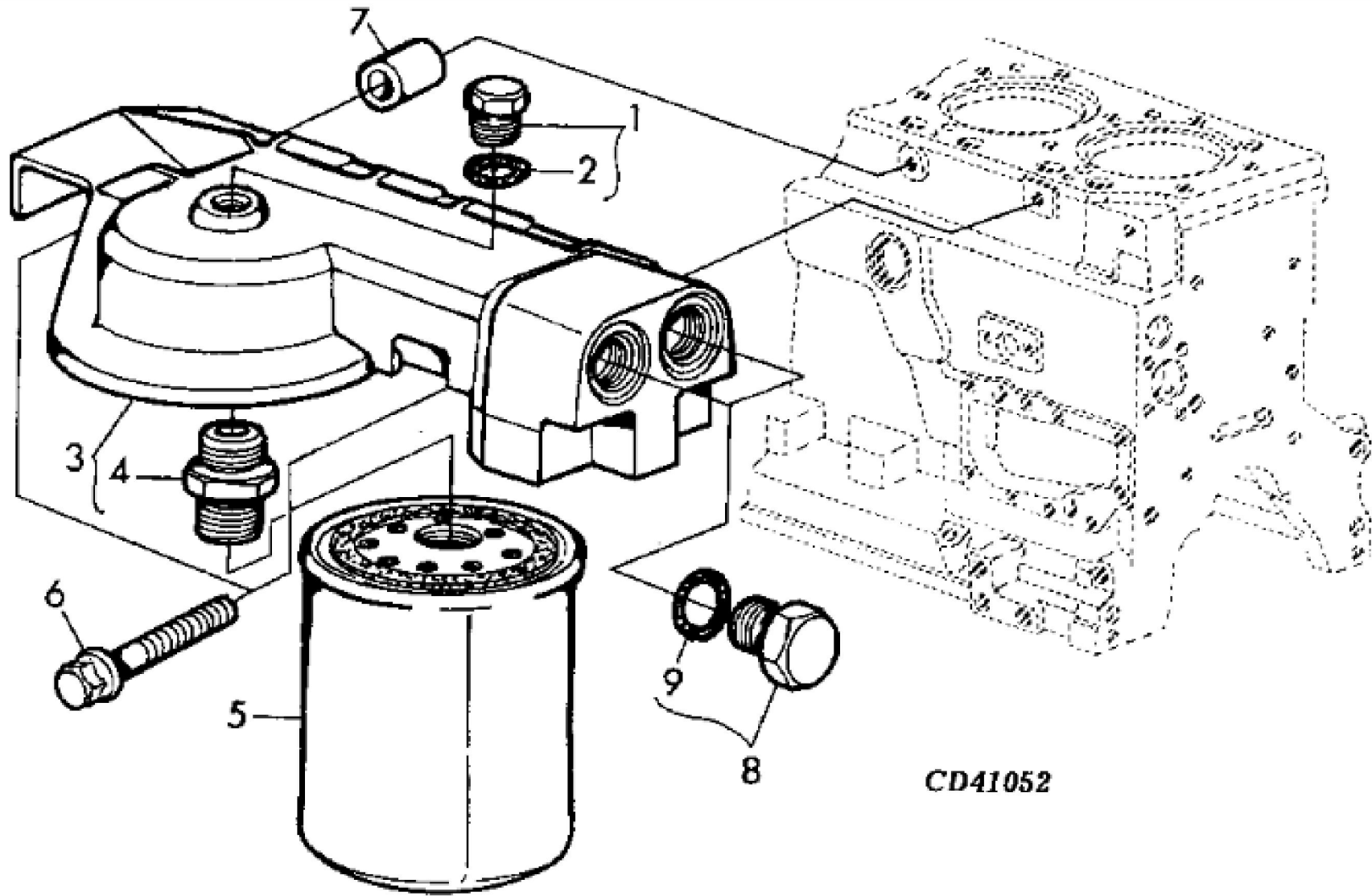
<https://www.ebooklibonline.com>

If the above button click is invalid. Please download this document first, and then click the above link to download the complete manual.

Thank you so much for reading



| KEY | PART NO. | PART NAME | QTY | 750CII | REMARKS |
|-----|----------|-----------------|-----|--------|---------------------------------------|
| 1 | 19M8987 | SCREW | 2 | X | M8 X 65 |
| 2 | | COVER | 1 | X | |
| 3 | | GEAR | 1 | X | |
| 4 | | HOUSING | 1 | X | |
| 5 | | GEAR | 1 | X | |
| 6 | RE504914 | OIL PUMP | 1 | X | (MARKED R502867) |
| 6 | SE501814 | OIL PUMP REMAN | 1 | X | (MARKED R502867) (REMAN FOR RE504914) |
| 7 | R121376 | STRUCTURAL TUBE | 1 | X | |
| 8 | R97185 | O-RING | 1 | X | |
| 9 | R61871 | O-RING | 1 | X | |
| 10 | RE69898 | OIL PUMP INTAKE | 1 | X | |
| 11 | 19M8986 | SCREW | 2 | X | M8 X 100 |
| 12 | 14M7066 | NUT | 1 | X | M12 |
| 13 | R120638 | GEAR | 1 | X | (Z= 30) |



CD41052



<https://www.ebooklibonline.com>

Hello dear friend!

Thank you very much for reading.

Enter the link into your browser.

The full manual is available for immediate download.

<https://www.ebooklibonline.com>