

TP66838

KEY	PART NO.	PART NAME	QTY	REMARKS
0	5004208	FRAME	1	(SUB FOR TH5004208)(CONVENIENCE ASSEMBLY)
1	5004209	FRAME	1	(SUB FOR TH5004209)(CONVENIENCE ASSEMBLY)
2	5004210	FRAME	1	(SUB FOR TH5004210)(CONVENIENCE ASSEMBLY)
4	4218943	BOLT	36	(SUB FOR TH4218943)
5	4218944	SPACER	36	(SUB FOR TH4218944)
6	4242099	BOLT	8	(SUB FOR TH4242099)
7	4242098	SPACER	8	(SUB FOR TH4242098)
9	J833008	BOLT	8	(SUB FOR THM923003 OR M923003)
10	4218945	SPACER	8	(SUB FOR TH4218945)
11	4207766	LOCK PLATE	4	(SUB FOR AT131846)
12	4174859P	WASHER	16	(SUB FOR TH103498 OR 4174859)
14	J833002	BOLT	8	(SUB FOR THM923011 OR M923011)
15	4243157	SPACER	8	(SUB FOR TH4243157)
16	4333844	GUIDE	4	(SUB FOR TH4333844)
19	J833013	BOLT	40	(SUB FOR THJ833013)
20	4244172	GASKET	1	(SUB FOR AT202301)
21	4013896	COVER	1	(SUB FOR TH100633)
23	19M7938	CAP SCREW	2	M10 X 20
24	12M7066	LOCK WASHER	2	10 mm
26	19M7394	CAP SCREW	1	M16 X 25, (SUB FOR AT202272 AND J901625)
27	24M7053	WASHER	1	17 X 30 X 3 mm
42	425175	PLUG	4	(SUB FOR AT132013)

**<https://www.ebooklibonline.com>**

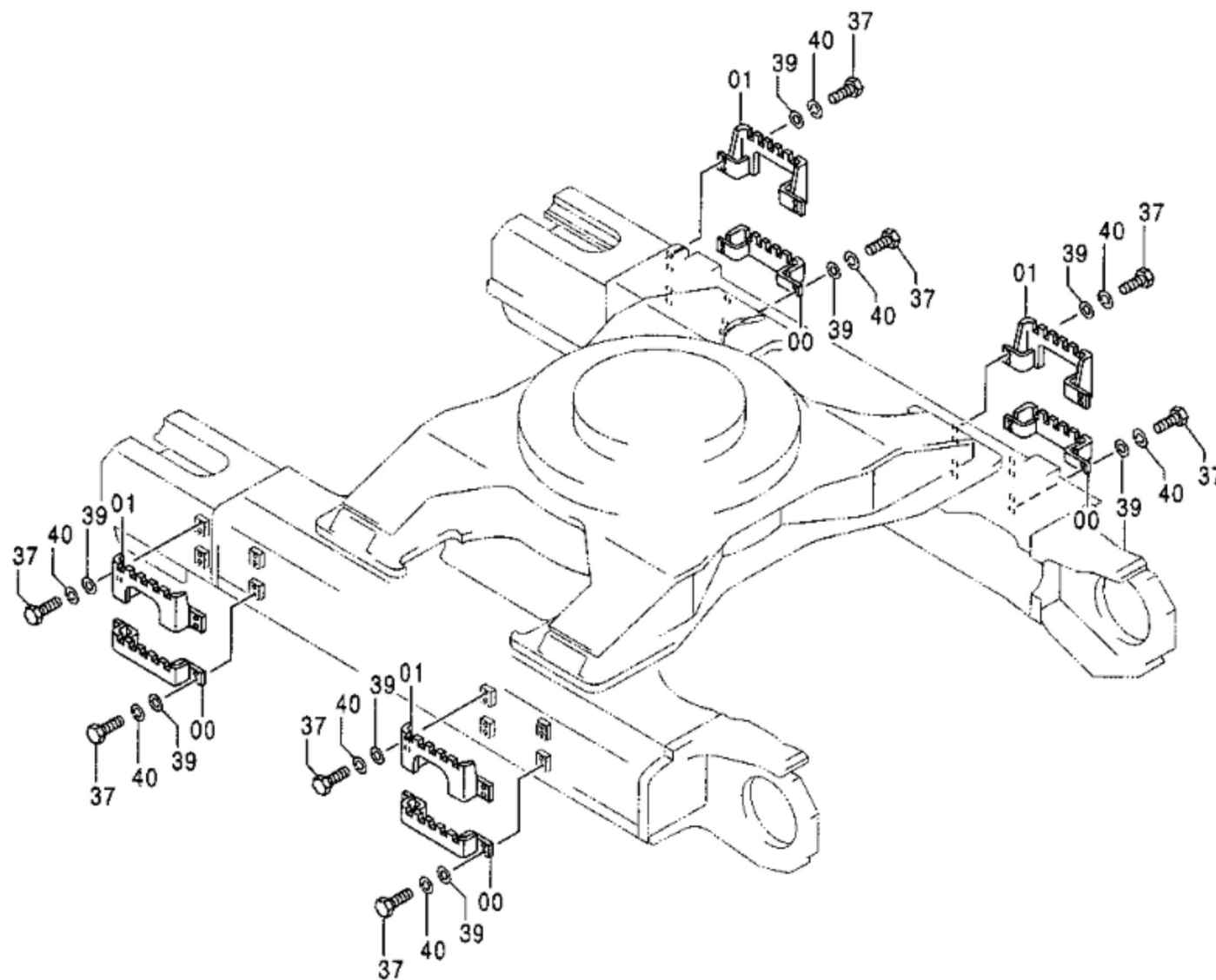
Hello dear friend!

Thank you very much for reading.

Enter the link into your browser.

The full manual is available for immediate download.

**<https://www.ebooklibonline.com>**



TP66846

KEY	PART NO.	PART NAME	QTY	REMARKS	
0	8068378	STEP	4	(SUB FOR TH8068378)	
1	8068391	STEP	4	(SUB FOR TH8068391)	
37	19M7409	CAP SCREW	32	M16 X 50	
39	4114405	WASHER	32	17 X 32 X 4.500 mm (0.669" X 1.260" X 0.177"), (SUB FOR TH101105)	
40	12H294	LOCK WASHER	32	5/8"	



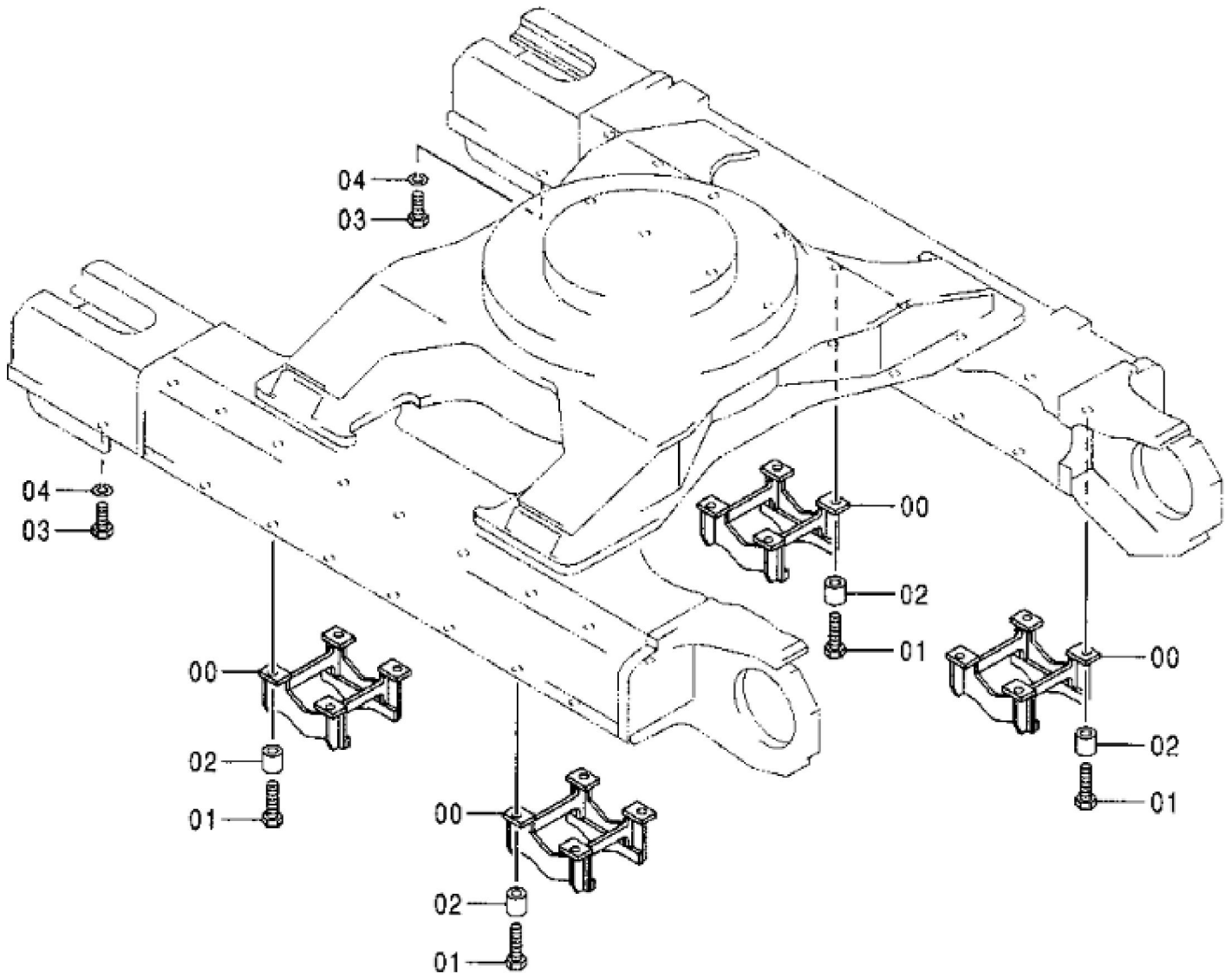
**Suggest:**

**For more complete manuals. Please go to the home page.**

**<https://www.ebooklibonline.com>**

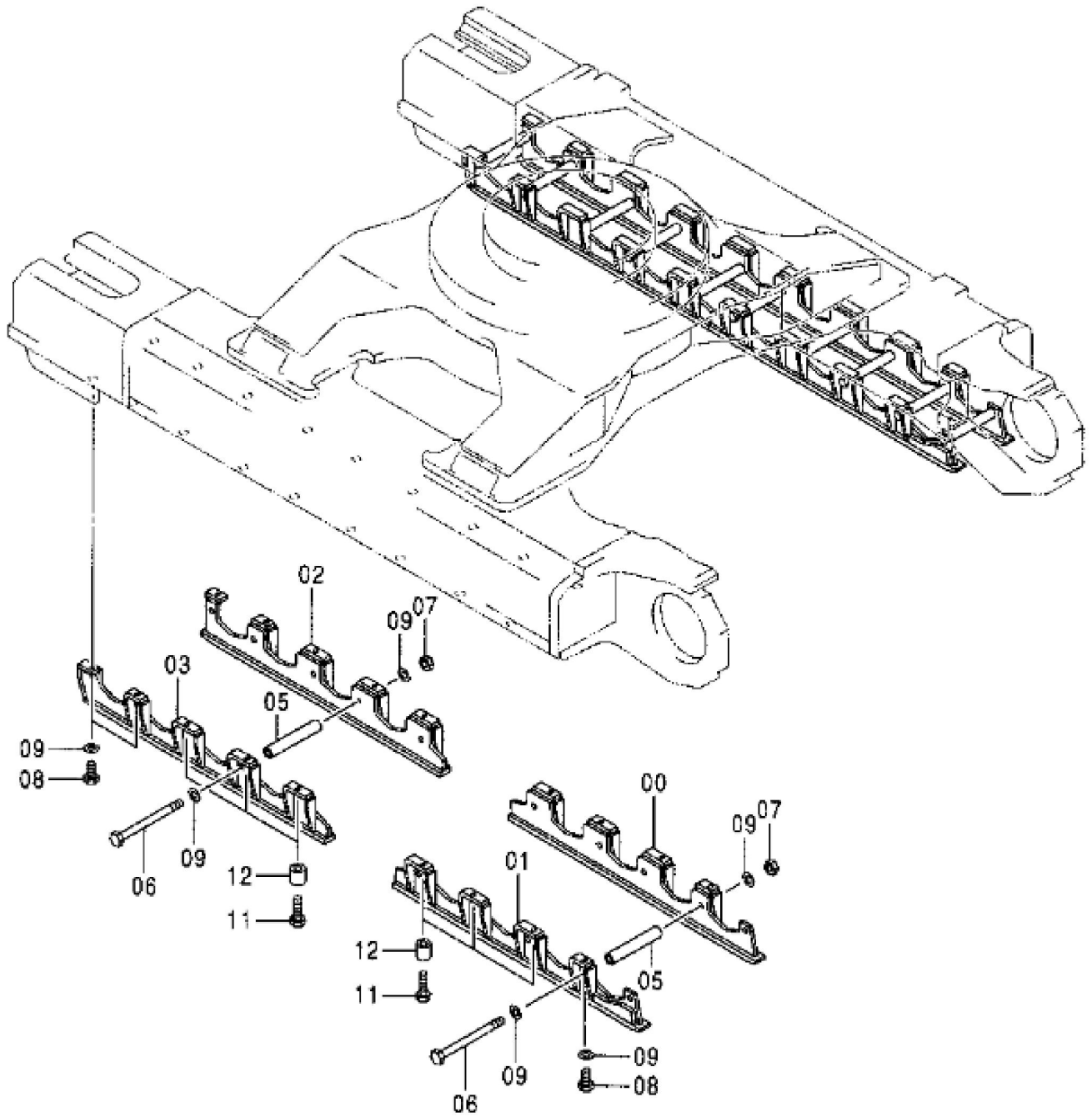
**If the above button click is invalid. Please download this document first, and then click the above link to download the complete manual.**

**Thank you so much for reading**



**TP66841**

KEY	PART NO.	PART NAME	QTY	REMARKS	
0	7037194	GUARD	4	(SUB FOR 7027836)	
1	J932701	BOLT	16	(SUB FOR THJ932701)	
2	4277804	SPACER	16	(SUB FOR TH4277804)	
3	J912735	BOLT	20	(SUB FOR THJ912735)	
4	12H318	LOCK WASHER	20	1-1/8"	



TP66843

**<https://www.ebooklibonline.com>**

Hello dear friend!

Thank you very much for reading.

Enter the link into your browser.

The full manual is available for immediate download.

**<https://www.ebooklibonline.com>**