

T66013

KEY	PART NO.	PART NAME	QTY	Serial No.	REMARKS
1	19H3168	CAP SCREW	4		5/8" X 3-3/4"
2	T54839	WASHER	8		
3A	19H2036	CAP SCREW	2	____-303695	1/4" X 7/8"
3B	19H1948	CAP SCREW	2	303696-____	1/4" X 3/4"
4	24H1286	WASHER	2		9/32" X 1/2" X 1/16"
5	T54875	RETAINER	2	____-303695	(SUB AT64014 AND (2) 19H1948)
6A	T54874	COVER	1	____-303695	(SUB AT64014, (2) 19H1948)
6B	AT64014	COVER	1	303696-____	
7	P47889	O-RING	1		(K)
8	19H1550	CAP SCREW	3		5/8" X 5"
9	19H3174	CAP SCREW	1		5/8" X 5-1/4"
10	T54849	CAP	1		
11	R30319	O-RING	1		(K)
12	T123278	RING	2		(K) (SUB FOR T54861) (DO NOT USE H63291 WITH T123278)
13	24H1136	WASHER	6		11/32" X 11/16" X 0.065", (SUB FOR T54868)
14	19H1897	CAP SCREW	6		5/16" X 3-3/4"
15	H63291	BACK-UP RING	2		(K) (DO NOT USE WHEN T123276 HAS BEEN INSTALLED)

<https://www.ebooklibonline.com>

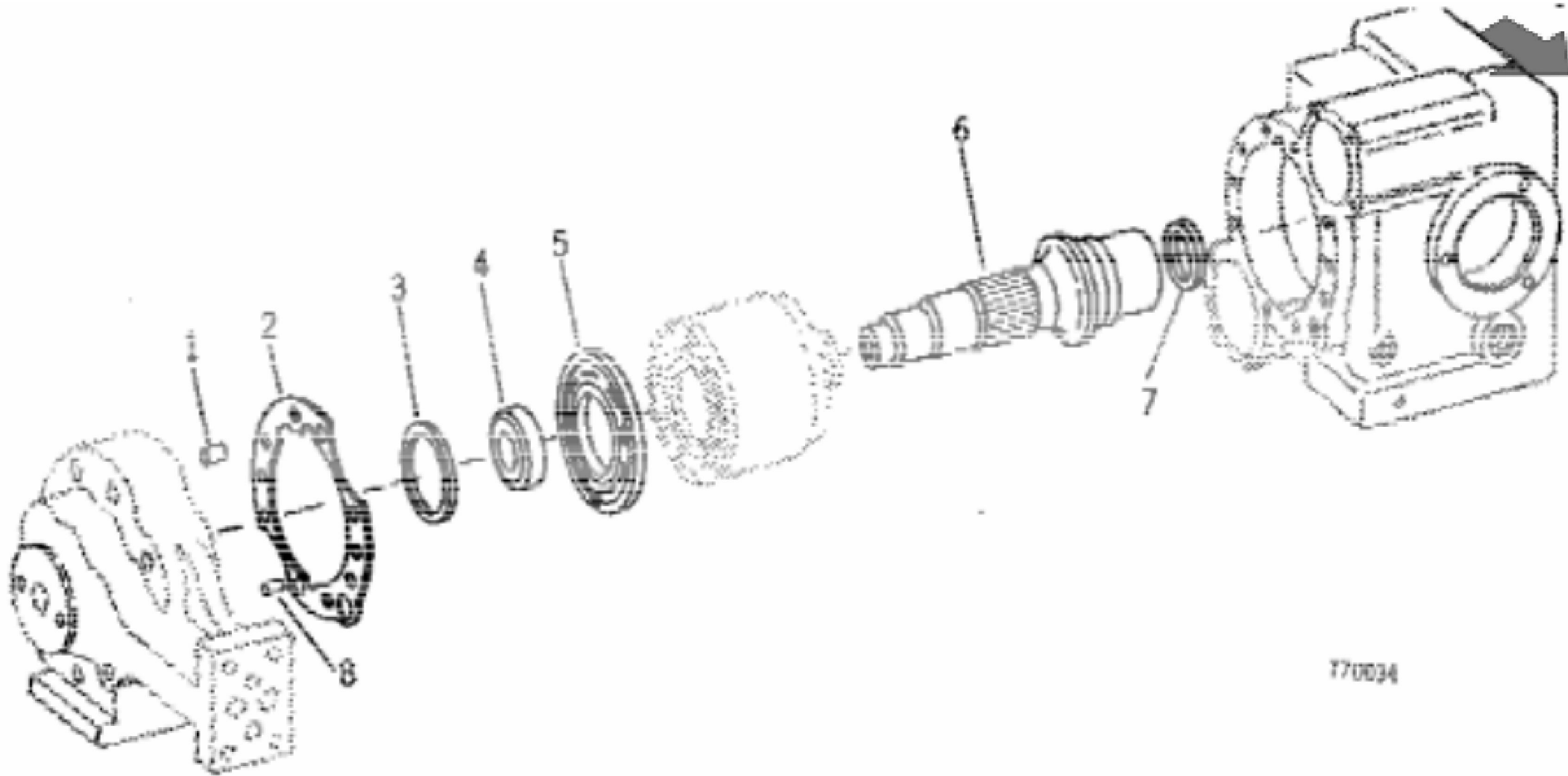
Hello dear friend!

Thank you very much for reading.

Enter the link into your browser.

The full manual is available for immediate download.

<https://www.ebooklibonline.com>



KEY	PART NO.	PART NAME	QTY	REMARKS
1	H63271	PIN	1	
2	T54851	GASKET	1	(K)
3	T54870	SHIM	AR	
4	AT52805	BEARING KIT	1	BEARING, REAR
5	T54860	PLATE	1	VALVE, 11.15 MM (.439") THICK (TRANS. SER. NO.-17ZZ99999) (USE WITH T54889 BEARING PLATE)
5	T71513	PLATE	1	VALVE, 12.14 MM (.478") THICK (TRANS. SER. NO.-17ZZ99999) (USE WITH T71508 BEARING PLATE)
6	T54855	SHAFT	1	
7	T56576	SHIM	1	0.25 MM (.010") (USE ONLY WITH SHORT SHAFT)
8	T54850	PIN	2	



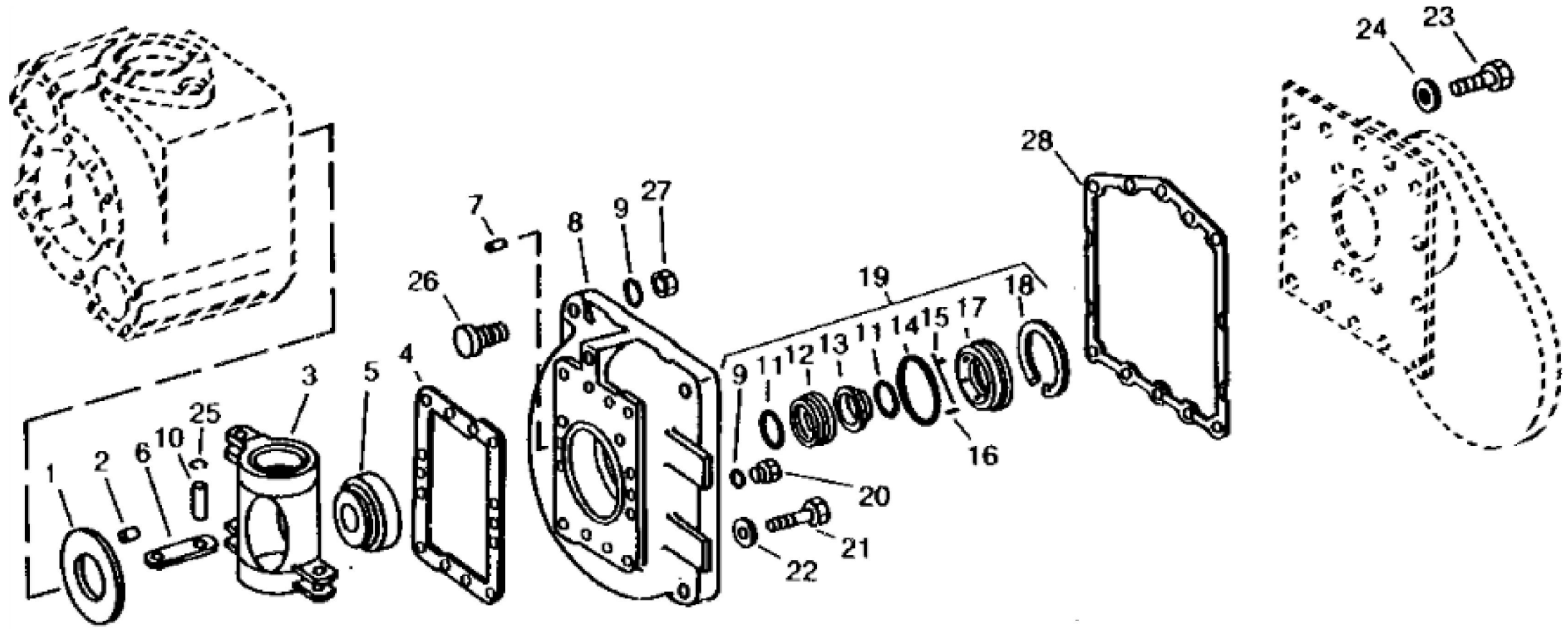
Suggest:

For more complete manuals. Please go to the home page.

<https://www.ebooklibonline.com>

If the above button click is invalid. Please download this document first, and then click the above link to download the complete manual.

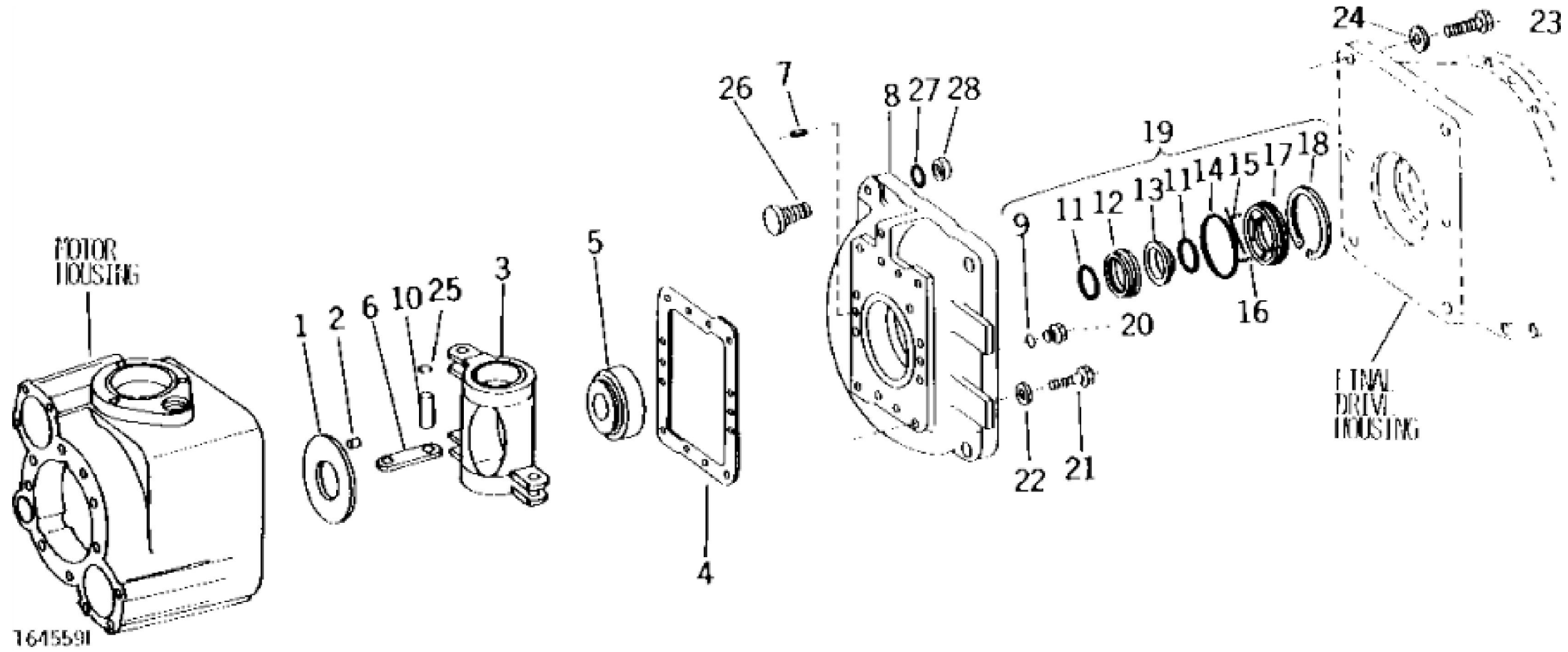
Thank you so much for reading



TP14672

John Deere > Construction And Forestry >BULLDOZER >750 - BULLDOZER >750 Crawler Bulldozer >3 TRANSMISSION 3 >HYDRAULIC SYSTEM 0360 >0360-11 - RIGHT AND LEFT-HAND TRANSMISSION MOTOR SWASHPLATE AND FRONT COVER (TRANSMISSION SERIAL NO. -17ZZ99999) [01E23]

KEY	PART NO.	PART NAME	QTY	Serial No.	REMARKS
1	T54853	THRUST WASHER	1		
2	T54880	PIN FASTENER	1	____-267065	
3	T54854	SWASH PLATE	1		
4	T54857	GASKET	1		(K) (TRANS. SER. NO.-17ZZ99999)
5	AT52801	BEARING KIT	1		BEARING, FRONT
6	T54866	STRAP	1		SWASHPLATE CONTROL
7	T54850	PIN	2		
8	T54856	COVER	1		
9	R26375	O-RING	2		
10	T54865	PIN FASTENER	1	____-267065	(SUB T61553 AND T61554)
10	T61553	PIN FASTENER	1	267066-____	
11	R82459	O-RING	2		(K) (SUB FOR T54881)
12	SEAL	1		ROTATING, (SUB AT52800)
13	SEAL	1		STATIONARY, (SUB AT52800)
14	F2573R	O-RING	1		(K)
15	H63243	COMPRESSION SPRING	12		SEAL
16	PIN FASTENER	1		(SUB AT52800)
17	RETAINER	1		SEAL, (SUB AT52800)
18	N131806	SNAP RING	1		
19	AT52800	SEAL KIT	1		SEAL SHAFT
20	R39112	FITTING	1		
21	19H2993	CAP SCREW	12		1/2" X 1-1/2"
22	T54864	WASHER	12		
23	19H2588	CAP SCREW	6		5/8" X 1-7/8"
23	19H2710	CAP SCREW	6		HS, SAE 8, 5/8" X 1-3/4" (USED WITH T144082)
24	T497T	WASHER	6		
25	R72654	SNAP RING	1	____-267065	(SUB FOR H89092)
25	T61554	SNAP RING	2	267066-____	
26	T54878	FITTING	1		
27	T54879	NUT	1		
28	GASKET	AR		(SUB T144082 AND (6) 19H2710, THIS APPLICATION) (ALSO ORDER AT63519 ADHESIVE)
28	T144082	GASKET	1		(SUB FOR T82711) (ALSO ORDER AT63519 ADHESIVE)



<https://www.ebooklibonline.com>

Hello dear friend!

Thank you very much for reading.

Enter the link into your browser.

The full manual is available for immediate download.

<https://www.ebooklibonline.com>