

KEY	PART NO.	PART NAME	QTY	Serial No.	REMARKS
1	AM133241	GASOLINE ENGINE	1		(FH680V-AS31) (ORDER MIA10990)
1	AM133964	GASOLINE ENGINE	1		(FH680V-BS31) (NLA) (SUB MIA10508)
1	AM134460	GASOLINE ENGINE	1		(FH680V-AS34) (SUB MIA10508)
1	MIA10508	GASOLINE ENGINE	1		(FH680V-BS34) (ORDER MIA10990 (NLA))
2	19M7897	SCREW	4		M8 X 35
3	14M7166	LOCK NUT	4		M8
4	TCA16240	DRAIN VALVE	1	____-040158	(SUB FOR TCA12370) (INCLUDES O-RING)
4	TCA17360	DRAIN VALVE	1	040159-____	(INCLUDES M88478) (SUB FOR TCA16240)
5	12M7032	LOCK WASHER	1		8.400 mm

**<https://www.ebooklibonline.com>**

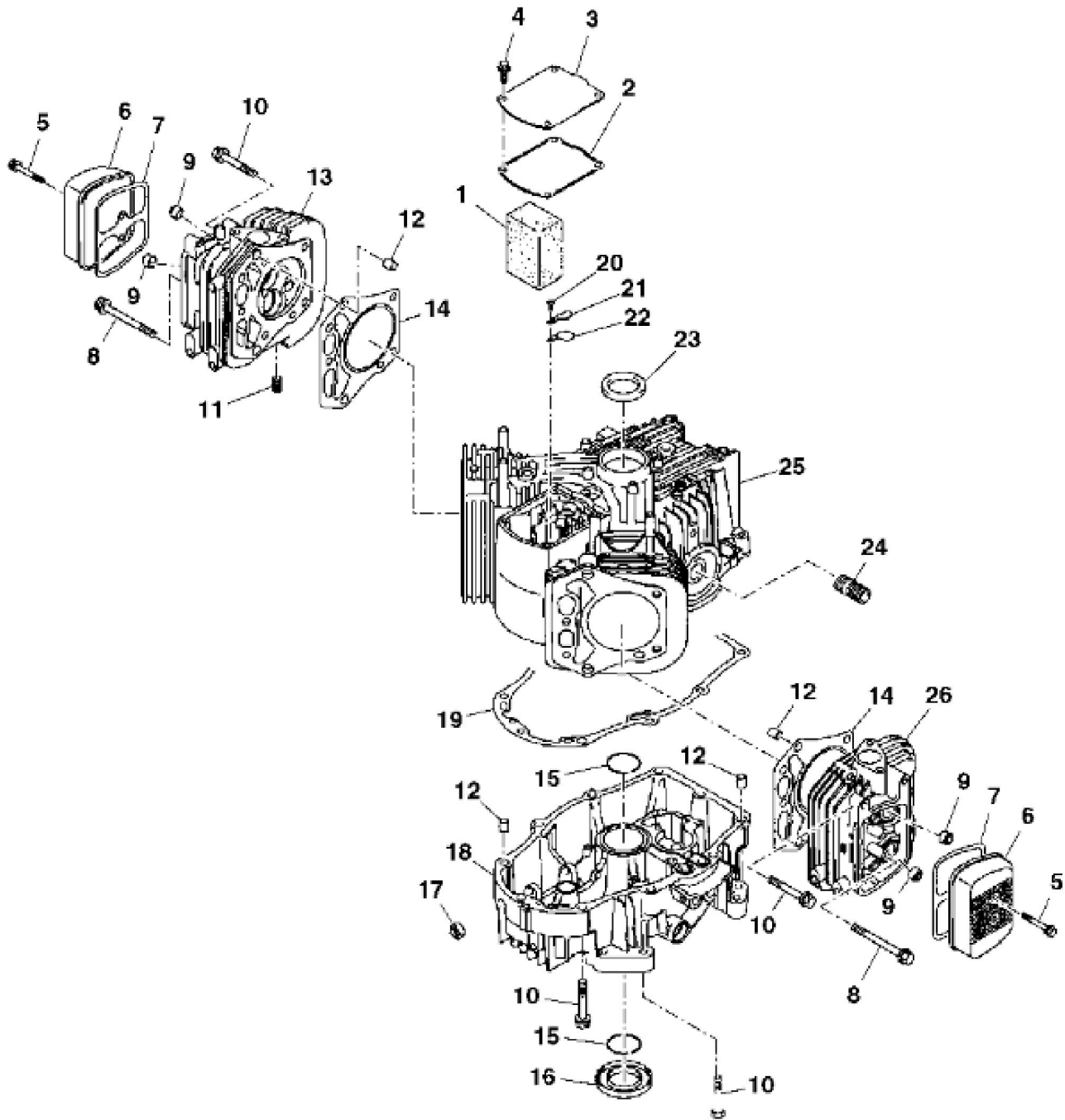
Hello dear friend!

Thank you very much for reading.

Enter the link into your browser.

The full manual is available for immediate download.

**<https://www.ebooklibonline.com>**



KEY	PART NO.	PART NAME	QTY	REMARKS
1	M141350	FILTER ELEMENT	1	NLA; ORDER MIA11393
1	MIA11393	COVER KIT	1	
2	M140222	GASKET	1	
2	MIU11731	GASKET	1	USE WITH MIA11393
3	M140224	COVER	1	
3	MIU11732	COVER	1	USE WITH MIA11393
4	19M7774	SCREW	4	M6 X 12
4	19M7775	SCREW	4	M6 X 16, USE WITH MIA11393
5	19M8477	CAP SCREW	4	M6 X 40
6	M140218	CASE	2	
7	M140221	GASKET	2	
8	M138394	BOLT	2	NLA; ORDER MIU11322
8	MIU11322	BOLT	2	
9	M138389	SEAL	4	(SUB FOR M149280)
10	MIU11326	BOLT	18	(SUB FOR M138393)
11	M138395	STUD	4	NLA; ORDER MIU11736
11	MIU11736	BOLT	4	NLA; ORDER MIU12726
11	MIU12726	STUD	4	
12	M138388	PIN	6	
13	MIA10402	CYLINDER HEAD	1	CYLINDER NO. 1, (SUB FOR AM132473)
14	M147908	ENGINE CYLINDER HEAD GASKET	2	
15	M140231	SNAP RING	2	
16	M149282	SEAL	1	
17	M138392	SEAL	1	NLA; ORDER M151774
17	M151774	SEAL	1	
18	M150623	COVER	1	(FH601V-AS31, BS31, AS34)
18	MIU11292	COVER	1	(FH601V-BS34)
19	M140220	GASKET	1	
20	21M7244	SCREW	1	M4 X 8
21	M140223	PLATE	1	
22	M140229	VALVE	1	
23	M149281	SEAL	1	(FH601V-AS31)
23	M150948	SEAL	1	(FH680V-BS31, -AS34, -BS34)
24	M127431	ADAPTER FITTING	1	
25	AM132504	CRANKCASE	1	

KEY	PART NO.	PART NAME	QTY	REMARKS	
26	AM135296	CYLINDER HEAD	1	CYLINDER NO. 2, (SUB FOR AM132396)	
..	MIA10990	SHORT BLOCK ASSEMBLY	1		



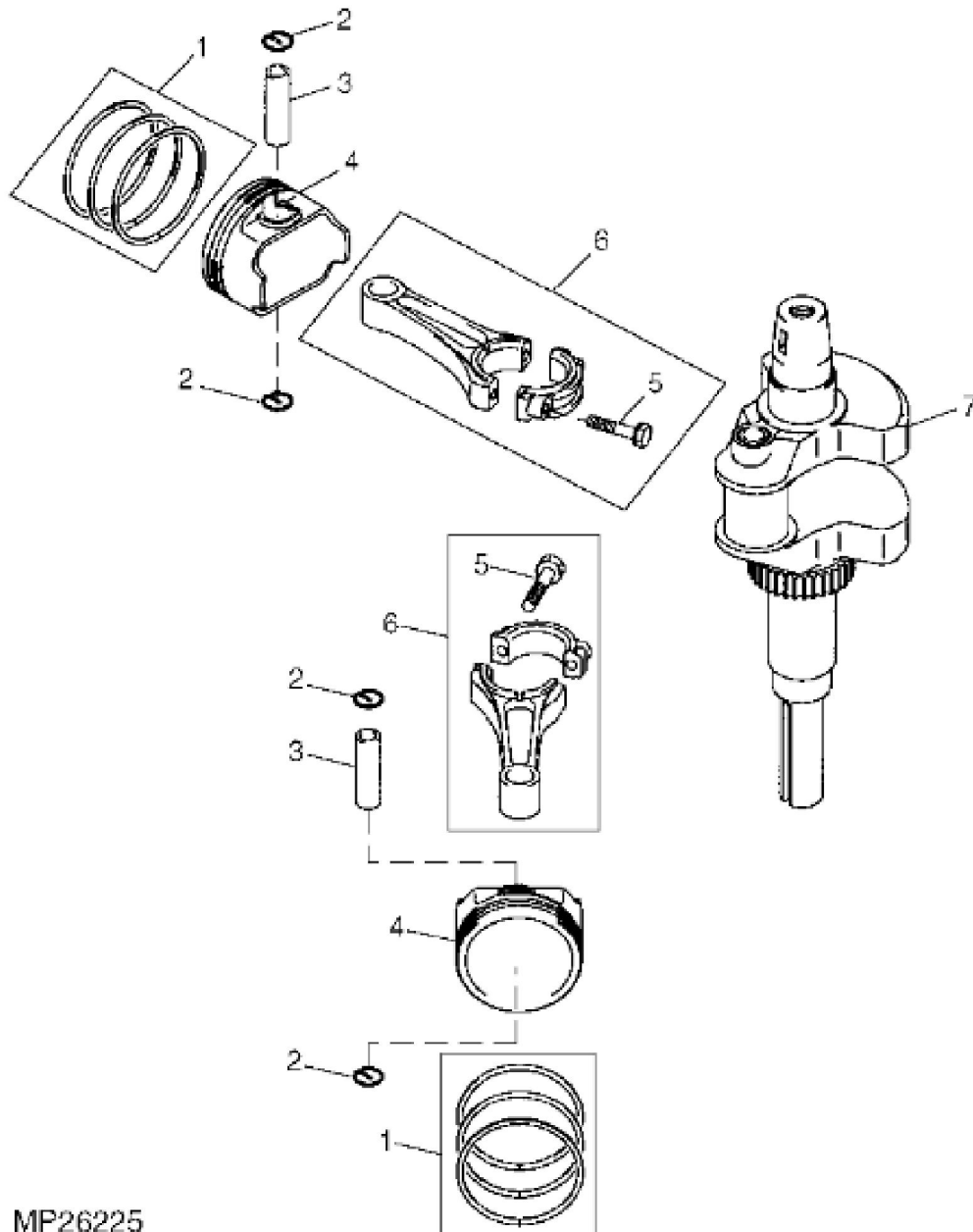
**Suggest:**

**For more complete manuals. Please go to the home page.**

**<https://www.ebooklibonline.com>**

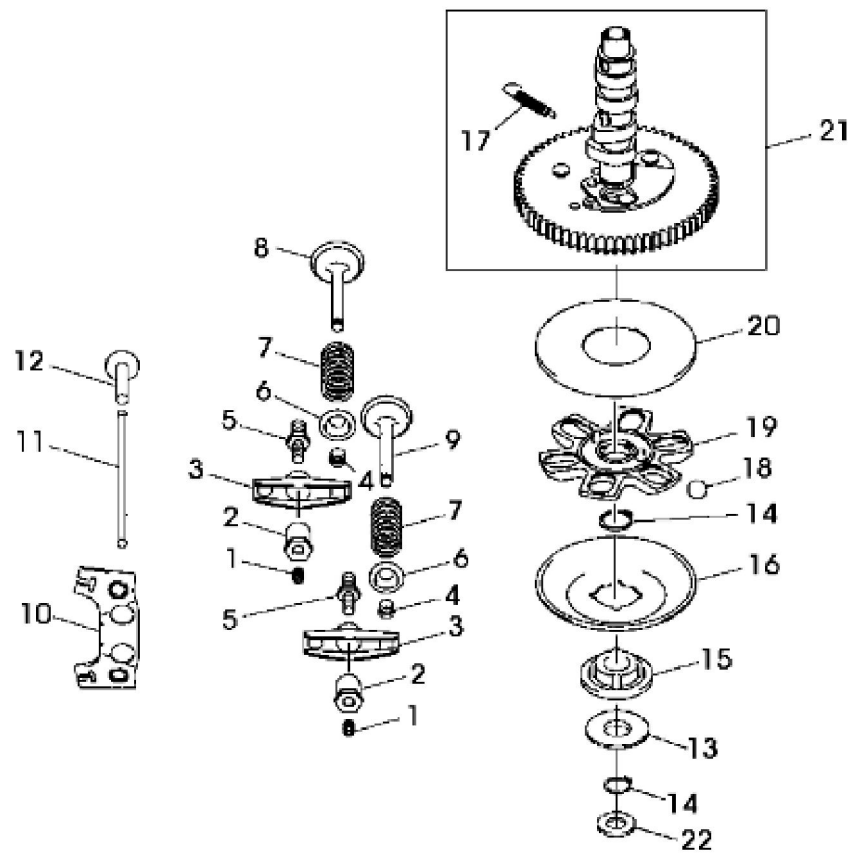
**If the above button click is invalid. Please download this document first, and then click the above link to download the complete manual.**

**Thank you so much for reading**



MP26225

KEY	PART NO.	PART NAME	QTY	REMARKS	
1	AM128738	PISTON RING KIT	2	STD	
1	AM132069	PISTON RING KIT	AR	0.50 MM (0.020") OS	
2	M138398	SNAP RING	4	(SUB FOR M140233)	
3	M138397	PISTON PIN	2		
4	M143319	PISTON	2	STD	
4	M146875	PISTON	AR	0.50 MM (0.020") OS	
5	M146763	BOLT	2		
6	MIA10804	CONNECTING ROD	2	(SUB FOR AM132025)	
7	AM133774	CRANKSHAFT	1	(FH680V-AS31)	
7	AM133965	CRANKSHAFT	1	(FH680V-BS31, -AS34, -BS34)	



PU00581

**<https://www.ebooklibonline.com>**

Hello dear friend!

Thank you very much for reading.

Enter the link into your browser.

The full manual is available for immediate download.

**<https://www.ebooklibonline.com>**