

KEY	PART NO.	PART NAME	QTY	REMARKS
1	M141350	FILTER ELEMENT	1	(ORDER MIA11393), NLA
2	M140222	GASKET	1	
2	MIU11731	GASKET	1	(A)
3	M140224	COVER	1	
3	MIU11732	COVER	1	(A)
4	19M7774	SCREW	4	M6 X 12
4	19M7775	SCREW	4	(A) M6 X 16
5	19M8477	CAP SCREW	4	M6 X 40
6	M140218	CASE	2	
7	M140221	GASKET	2	
8	M138394	BOLT	2	NLA; ORDER MIU11322
8	MIU11322	BOLT	2	
9	M138389	SEAL	4	(SUB FOR M149280)
10	MIU11326	BOLT	8	(SUB FOR M138393)
11	M138395	STUD	4	NLA; ORDER MIU11736
11	MIU11736	BOLT	4	NLA; ORDER MIU12726
11	MIU12726	STUD	4	
12	M138388	PIN	6	
13	MIA10402	CYLINDER HEAD	1	CYLINDER NO. 1, (SUB FOR AM132473)
14	M147908	ENGINE CYLINDER HEAD GASKET	2	
15	M140231	SNAP RING	2	
16	M149282	SEAL	1	(SUB FOR M138391)
17	M138392	SEAL	1	NLA; ORDER M151774
17	M151774	SEAL	1	
18	M150449	COVER	1	(SUB FOR M140230)
18	MIU11292	COVER	1	(USE WITH MIA10990 AND MIA10964)
19	M140220	GASKET	1	
20	21M7244	SCREW	1	M4 X 8
21	M140223	PLATE	1	
22	M140229	VALVE	1	
23	M149281	SEAL	1	(SUB FOR M138390)
24	M127431	ADAPTER FITTING	1	
25	AM132504	CRANKCASE	1	
25	AM133930	CRANKCASE	1	(USE WITH MIA10990)
25	MIA10962	CRANKCASE	1	(USE WITH MIA10964)

<https://www.ebooklibonline.com>

Hello dear friend!

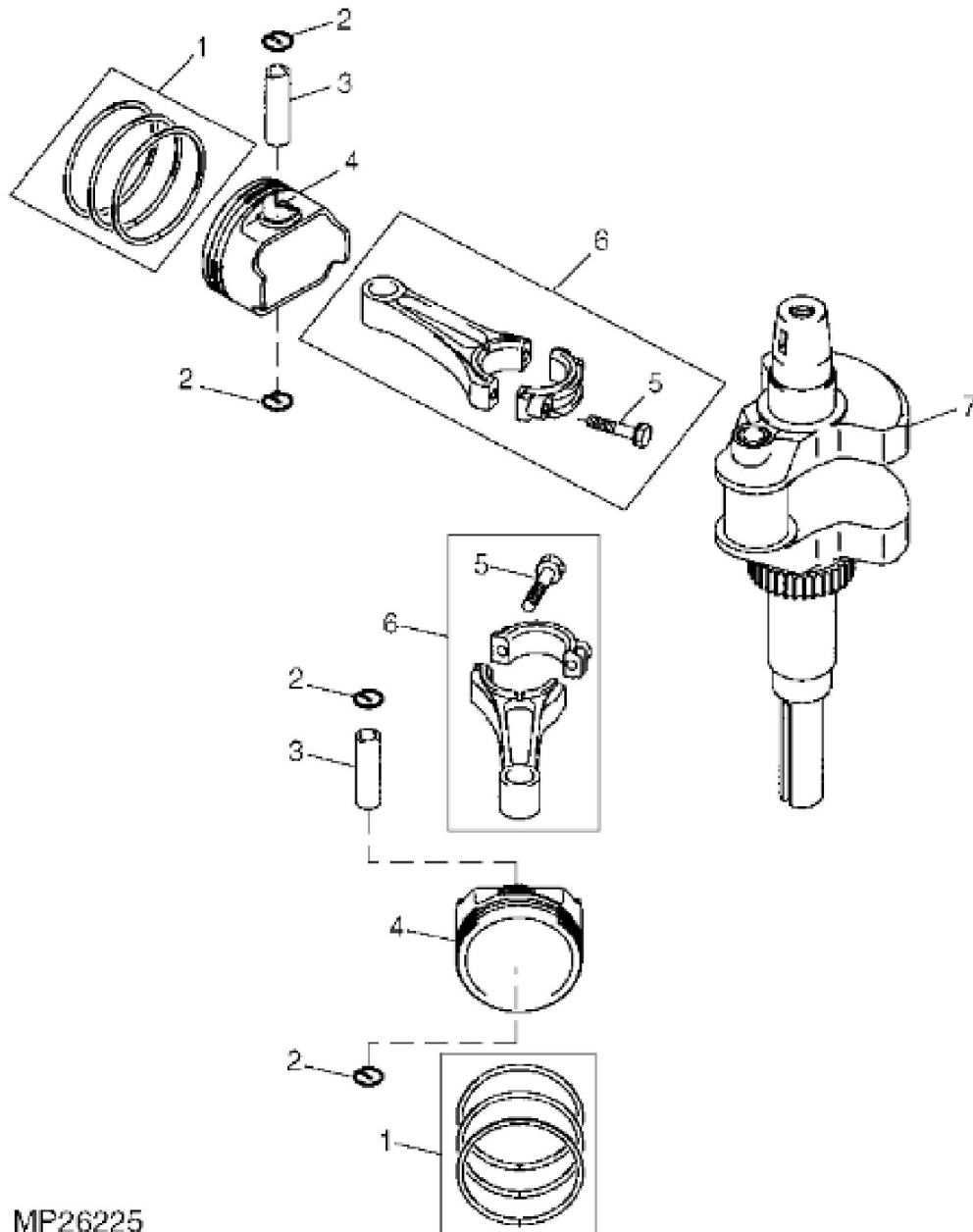
Thank you very much for reading.

Enter the link into your browser.

The full manual is available for immediate download.

<https://www.ebooklibonline.com>

KEY	PART NO.	PART NAME	QTY	REMARKS
26	AM135296	CYLINDER HEAD	1	CYLINDER NO. 2, (SUB FOR AM132396)
27	24H1887	WASHER	4	11/32" X 1" X 0.134", (SUB FOR D24033)
28	19H1906	CAP SCREW	4	5/16" X 1-1/2", (SUB FOR D14147)
29	14H611	NUT	4	5/16"
30	M150948	SEAL	1	(USE WITH MIA10964 AND MIA10990)
..	AM131991	GASOLINE ENGINE	1	23 HP, (FH680V-AS16) (NLA) (ORDER MIA10990)
..	AM132635	GASOLINE ENGINE	1	23 HP, (FH680V-BS16) (NLA) (ORDER MIA10990 AND MIA10964)
..	MIA10990	SHORT BLOCK ASSEMBLY	1	(SUB FOR MIA10991 OR AM132506)
..	MIA11393	COVER KIT	1	(INCLUDES PART MARKED (A))
..	MIA10964	SHORT BLOCK ASSEMBLY	1	



MP26225

KEY	PART NO.	PART NAME	QTY	REMARKS	
1	AM128738	PISTON RING KIT	2	STD	
1	AM132069	PISTON RING KIT	AR	0.50 MM (0.020") OS	
2	M138398	SNAP RING	4	(SUB FOR M140233)	
3	M138397	PISTON PIN	2		
4	M143319	PISTON	2	STD	
4	M146875	PISTON	AR	0.50 MM (0.020") OS	
5	M147310	BOLT	2	SUB FOR PT12040	
5	M146763	BOLT	4	(USE WITH MIA10990 AND MIA10804)	
6	AM128740	CONNECTING ROD	2		
6	MIA10804	CONNECTING ROD	2	(USE WITH MIA10990 AND MIA10964)	
7	AM132429	CRANKSHAFT	1	(SUB FOR AM132335, THIS APPLICATION)	
7	AM133965	CRANKSHAFT	1	(USE WITH MIA10990)	
7	AM133931	CRANKSHAFT	1	(INCLUDES (4) M146763) (USE WITH MIA10964)	



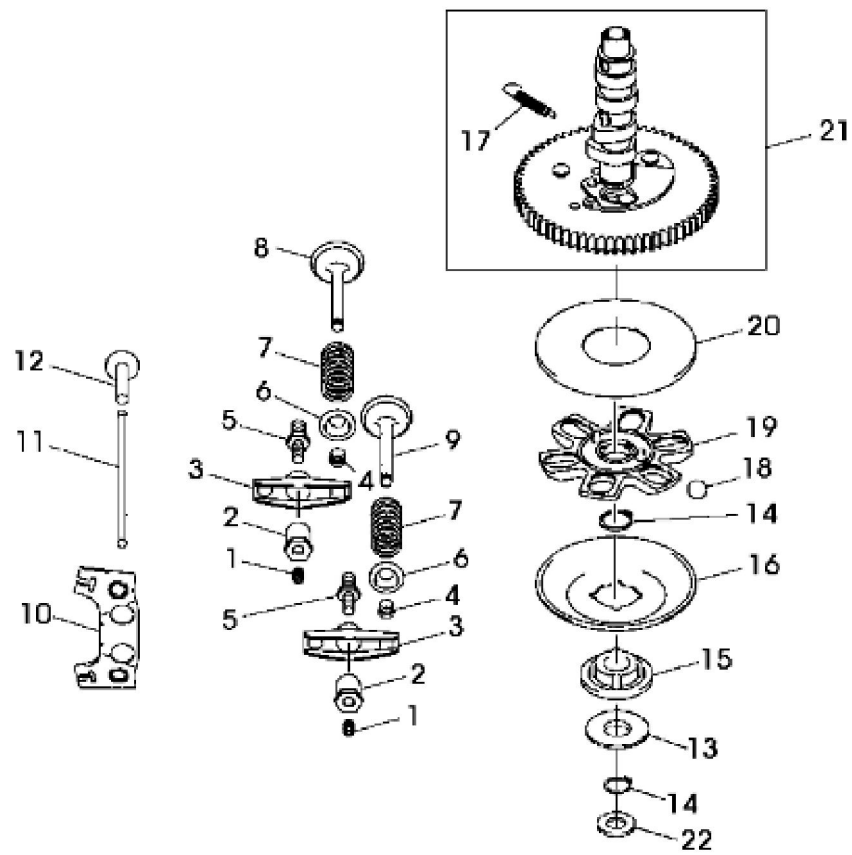
Suggest:

For more complete manuals. Please go to the home page.

<https://www.ebooklibonline.com>

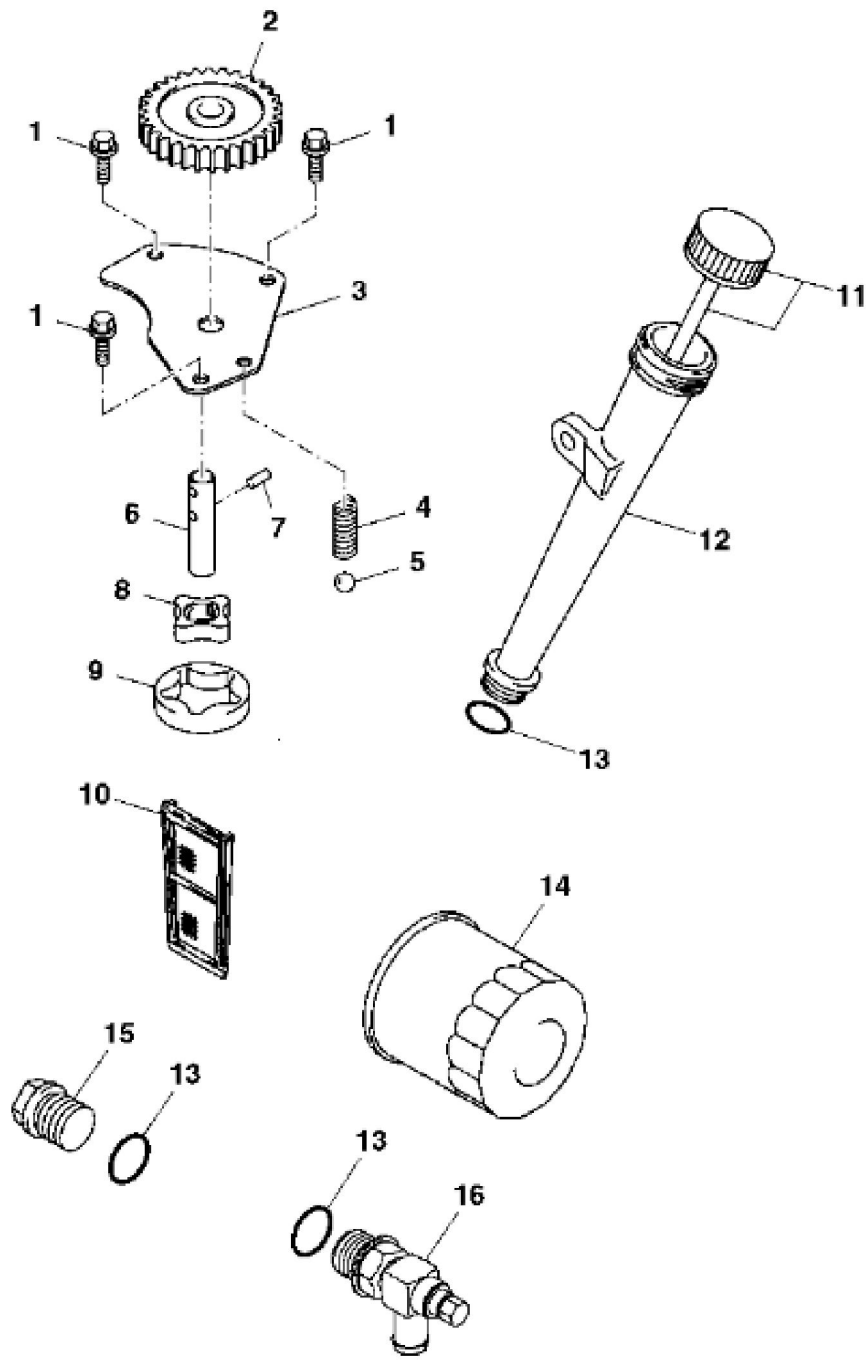
If the above button click is invalid. Please download this document first, and then click the above link to download the complete manual.

Thank you so much for reading



PU00581

KEY	PART NO.	PART NAME	QTY	REMARKS
1	M138410	SCREW	4	
2	M92891	NUT	4	
3	M146876	ROCKER ARM	4	
4	M118845	RETAINER	8	
5	M146881	BOLT	4	
6	M138401	RETAINER	4	
7	M140241	SPRING	4	
8	M140234	INTAKE VALVE	2	
9	M147596	EXHAUST VALVE	2	
10	M146877	GUIDE	2	
11	M146879	PUSH ROD	4	
12	M138403	TAPPET	4	
13	M138415	WASHER	1	
13	M146882	WASHER	1	(USE WITH MIA10964)
14	M138411	SNAP RING	2	
15	MIU10708	SLEEVE	1	NLA; ORDER MIU13044; SUB FOR M138408 OR M149875
15	MIU13044	SLEEVE	1	
16	M146880	PLATE	1	(SUB FOR M138406)
17	M138413	EXTENSION SPRING	1	
18	MIU10971	BALL BEARING	6	(SUB FOR M138412)
19	M140238	GUIDE	1	
20	M140240	PLATE	1	
21	AM130638	CAMSHAFT	1	(SUB MIA10793) (ALSO ORDER M146882 AND MIU11231) (NLA)
21	MIA10793	CAMSHAFT	1	(USE WITH MIA10964)
22	MIU11231	WASHER	1	(USE WITH MIA10964)



<https://www.ebooklibonline.com>

Hello dear friend!

Thank you very much for reading.

Enter the link into your browser.

The full manual is available for immediate download.

<https://www.ebooklibonline.com>