

| KEY | PART NO. | PART NAME | QTY | REMARKS |
|-----|----------|-----------------------------|-----|--|
| 1 | M141350 | FILTER ELEMENT | 1 | NLA; ORDER MIA11393 |
| 1 | MIA11393 | COVER KIT | 1 | |
| 2 | M140222 | GASKET | 1 | |
| 2 | MIU11731 | GASKET | 1 | USE WITH MIA11393 |
| 3 | M140224 | COVER | 1 | |
| 3 | MIU11732 | COVER | 1 | USE WITH MIA11393 |
| 4 | M140224 | COVER | 4 | |
| 4 | 19M7775 | SCREW | 4 | M6 X 16, USE WITH MIA11393 |
| 5 | 19M8477 | CAP SCREW | 4 | M6 X 40 |
| 6 | M140218 | CASE | 2 | |
| 7 | M140221 | GASKET | 2 | |
| 8 | M138394 | BOLT | 2 | NLA; ORDER MIU11322 |
| 8 | MIU11322 | BOLT | 2 | |
| 9 | M138389 | SEAL | 4 | (SUB FOR M149280) |
| 10 | MIU11326 | BOLT | 8 | (SUB FOR M138393) |
| 11 | M138395 | STUD | 4 | NLA; ORDER MIU11736 |
| 11 | MIU11736 | BOLT | 4 | NLA; ORDER MIU12726 |
| 11 | MIU12726 | STUD | 4 | |
| 12 | M138388 | PIN | 6 | |
| 13 | MIA10402 | CYLINDER HEAD | 1 | (NO. 1) (SUB FOR AM132473 OR AM128731) |
| 14 | M147908 | ENGINE CYLINDER HEAD GASKET | 2 | |
| 15 | M140231 | SNAP RING | 2 | |
| 16 | M149282 | SEAL | 1 | (SUB FOR M138391) |
| 17 | M138392 | SEAL | 1 | NLA; ORDER M151774 |
| 17 | M151774 | SEAL | 1 | |
| 18 | M150449 | COVER | 1 | |
| 18 | MIU11292 | COVER | 1 | (USE WITH MIA10990) |
| 18 | MIA10964 | SHORT BLOCK ASSEMBLY | 1 | (USE WITH MIA10964) |
| 19 | M140220 | GASKET | 1 | |
| 20 | 21M7244 | SCREW | 1 | M4 X 8 |
| 21 | M140223 | PLATE | 1 | |
| 22 | M140229 | VALVE | 1 | |
| 23 | M149281 | SEAL | 1 | (SUB FOR M138390) |
| 23 | M150948 | SEAL | 1 | (USE WITH MIA10990 AND MIA10964) |
| 24 | M127431 | ADAPTER FITTING | 1 | |

<https://www.ebooklibonline.com>

Hello dear friend!

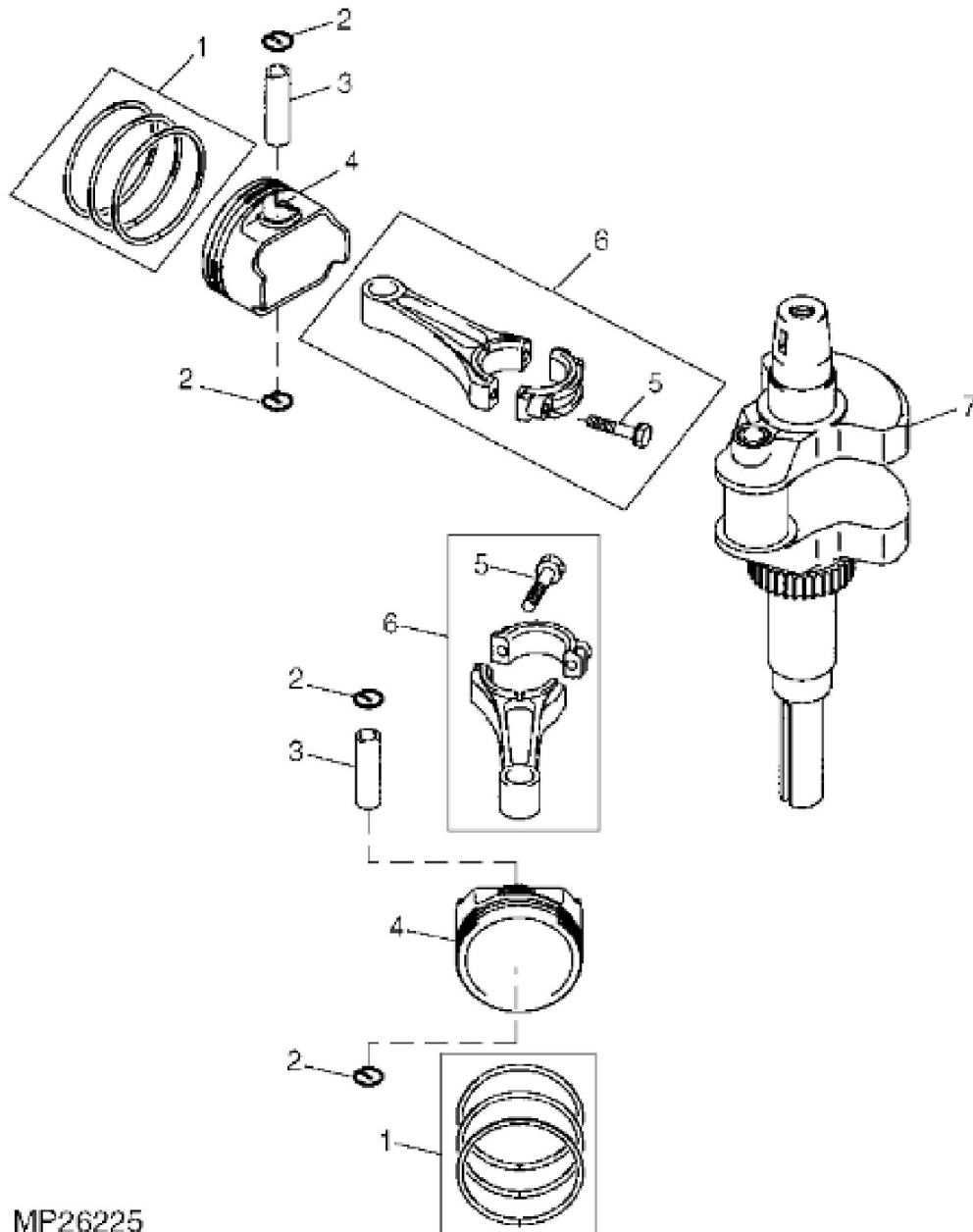
Thank you very much for reading.

Enter the link into your browser.

The full manual is available for immediate download.

<https://www.ebooklibonline.com>

| KEY | PART NO. | PART NAME | QTY | REMARKS |
|-----|----------|----------------------|-----|---|
| 25 | AM132504 | CRANKCASE | 1 | |
| 25 | AM133930 | CRANKCASE | 1 | (USE WITH MIA10990) |
| 25 | MIA10962 | CRANKCASE | 1 | (USE WITH MIA10964) |
| 26 | AM135296 | CYLINDER HEAD | 1 | (NO. 2) (SUB FOR AM132396) |
| 27 | 24H1887 | WASHER | 4 | 11/32" X 1" X 0.134", (SUB FOR D24033) |
| 28 | 19H1906 | CAP SCREW | 4 | 5/16" X 1-1/2", (SUB FOR D14147) |
| 29 | 14H611 | NUT | 4 | 5/16" |
| 30 | M147270 | PLUG | 1 | NLA; ORDER MIU14001; USE WITH MIA10964) |
| 30 | MIU14001 | PLUG | 1 | |
| .. | AM131990 | GASOLINE ENGINE | 1 | 19 HP, (FH601V-AS17) (ORDER MIA10990) |
| .. | AM132634 | GASOLINE ENGINE | 1 | 19 HP, (FH601V-BS17) (ORDER MIA10990) |
| .. | MIA10990 | SHORT BLOCK ASSEMBLY | 1 | (SUB FOR MIA10991 OR AM132506) |
| .. | MIA10964 | SHORT BLOCK ASSEMBLY | 1 | |



MP26225

| KEY | PART NO. | PART NAME | QTY | REMARKS | |
|-----|----------|-----------------|-----|--|--|
| 1 | AM128738 | PISTON RING KIT | 2 | STD | |
| 1 | AM132069 | PISTON RING KIT | AR | 0.50 MM (0.020") OS | |
| 2 | M138398 | SNAP RING | 4 | (SUB FOR M140233) | |
| 3 | M138397 | PISTON PIN | 2 | | |
| 4 | M143319 | PISTON | 2 | STD | |
| 4 | M146875 | PISTON | AR | 0.50 MM (0.020") OS | |
| 5 | M147310 | BOLT | 2 | MARKED FH601V-AS17; SUB FOR PT12040 | |
| 5 | M146763 | BOLT | 2 | MARKED FH601V-BS17 | |
| 6 | AM128740 | CONNECTING ROD | 2 | (FH601V-AS17) | |
| 6 | MIA10804 | CONNECTING ROD | 2 | (FH601V-BS17) (SUB FOR AM132025) (USE WITH MIA10964) | |
| 7 | AM132335 | CRANKSHAFT | 1 | (FH601V-AS17) | |
| 7 | AM132429 | CRANKSHAFT | 1 | (FH601V-BS17) | |
| 7 | AM133965 | CRANKSHAFT | 1 | (USE WITH MIA10990) | |
| 7 | AM133931 | CRANKSHAFT | 1 | (INCLUDES (4) M146763) (USE WITH MIA10964) | |



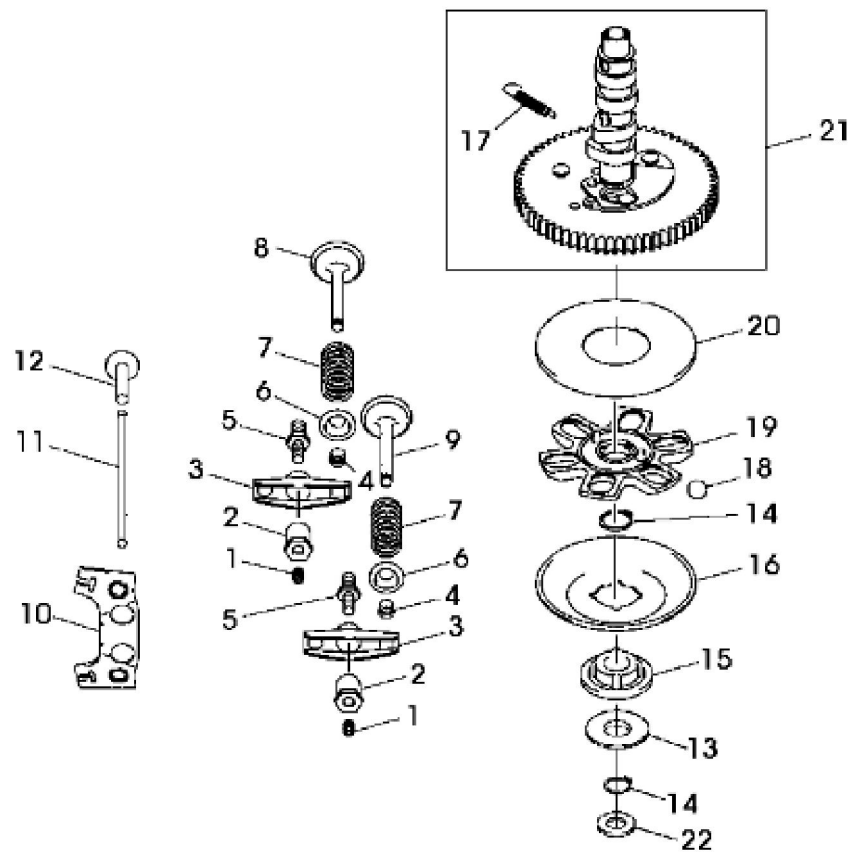
Suggest:

For more complete manuals. Please go to the home page.

<https://www.ebooklibonline.com>

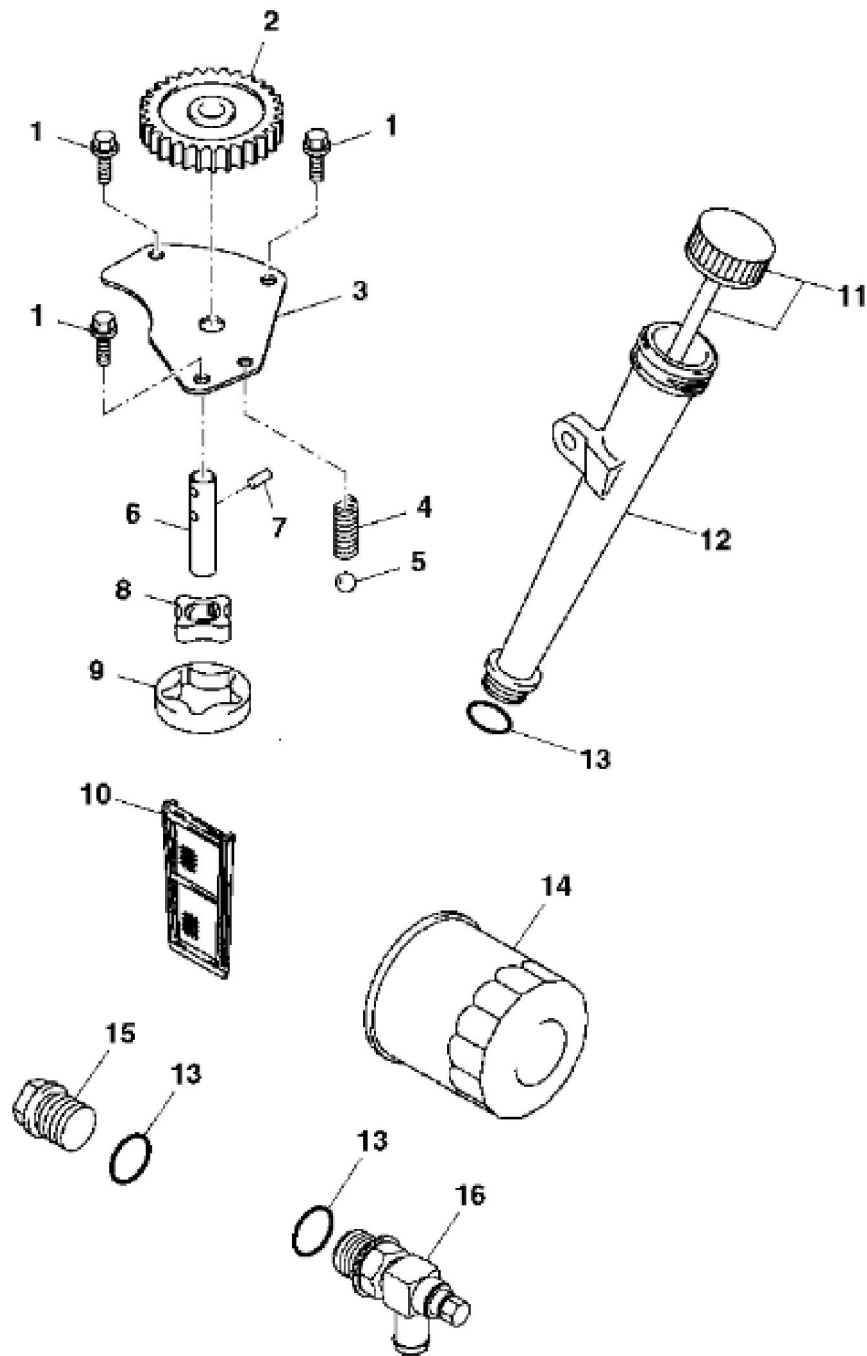
If the above button click is invalid. Please download this document first, and then click the above link to download the complete manual.

Thank you so much for reading



PU00581

| KEY | PART NO. | PART NAME | QTY | REMARKS |
|-----|----------|------------------|-----|--|
| 1 | M138410 | SCREW | 4 | |
| 2 | M92891 | NUT | 4 | |
| 3 | M146876 | ROCKER ARM | 4 | |
| 4 | M118845 | RETAINER | 8 | |
| 5 | M146881 | BOLT | 4 | |
| 6 | M138401 | RETAINER | 4 | |
| 7 | M140241 | SPRING | 4 | |
| 8 | M140234 | INTAKE VALVE | 2 | |
| 9 | M147596 | EXHAUST VALVE | 2 | |
| 10 | M146877 | GUIDE | 2 | |
| 11 | M146879 | PUSH ROD | 4 | |
| 12 | M138403 | TAPPET | 4 | |
| 13 | M138415 | WASHER | 1 | |
| 13 | M146882 | WASHER | 1 | (USE WITH MIA10964) |
| 14 | M138411 | SNAP RING | 2 | |
| 15 | MIU10708 | SLEEVE | 1 | NLA; ORDER MIU13044; SUB FOR M138408 OR M149875 |
| 15 | MIU13044 | SLEEVE | 1 | |
| 16 | M146880 | PLATE | 1 | (SUB FOR M138406) |
| 17 | M138413 | EXTENSION SPRING | 1 | |
| 18 | MIU10971 | BALL BEARING | 6 | (SUB FOR M138412) |
| 19 | M140238 | GUIDE | 1 | |
| 20 | M140240 | PLATE | 1 | |
| 21 | AM130638 | CAMSHAFT | 1 | (SUB MIA10793) (ALSO ORDER M146882 AND MIU11231) |
| 21 | MIA10793 | CAMSHAFT | 1 | (USE WITH MIA10964) |
| 22 | MIU11231 | WASHER | 1 | (USE WITH MIA10964) |



<https://www.ebooklibonline.com>

Hello dear friend!

Thank you very much for reading.

Enter the link into your browser.

The full manual is available for immediate download.

<https://www.ebooklibonline.com>