

KEY	PART NO.	PART NAME	QTY	REMARKS
1	51M7043	O-RING	3	15.300 X 2.200 mm
2	A120R	DOWEL PIN	4	
3	RE539116	FITTING	4	
4	51M7047	O-RING	4	23.600 X 2.900 mm
5	RE539114	FITTING	5	
6	51M7041	O-RING	5	11.300 X 2.200 mm
7	RE508185	FITTING	1	
8	R116466	PLUG	1	
9	B153R	DOWEL PIN	2	
10	R119874	BUSHING	1	
11	R111137	SPRING	1	
12	U13639	O-RING	1	
13	T18891	PLUG	2	
14	30M7024	PLUG	1	
15	R26493	BUSHING	1	(Refer key 23 For More Information) ORDER DZ109926
16	R121043	VALVE	1	(By Pass)
17	R525706	CAP SCREW	14	
18	.....	CYLINDER BLOCK	1	(Order Short Block Assembly) MARKED R534123; INCLUDES (14) R525706
19	15H695	PIPE PLUG	1	3/8"
20	RE539115	FITTING	3	
21	15H685	PIPE PLUG	1	1/4"
22	D2361R	BALL	1	
23	DZ109926	BUSHING	1	USE WITH DZ109927 PRV, DZ106855 SPRING AND DZ109925 FITTING PLUG; ALSO ORDER A4827R SEALING WASHER

**<https://www.ebooklibonline.com>**

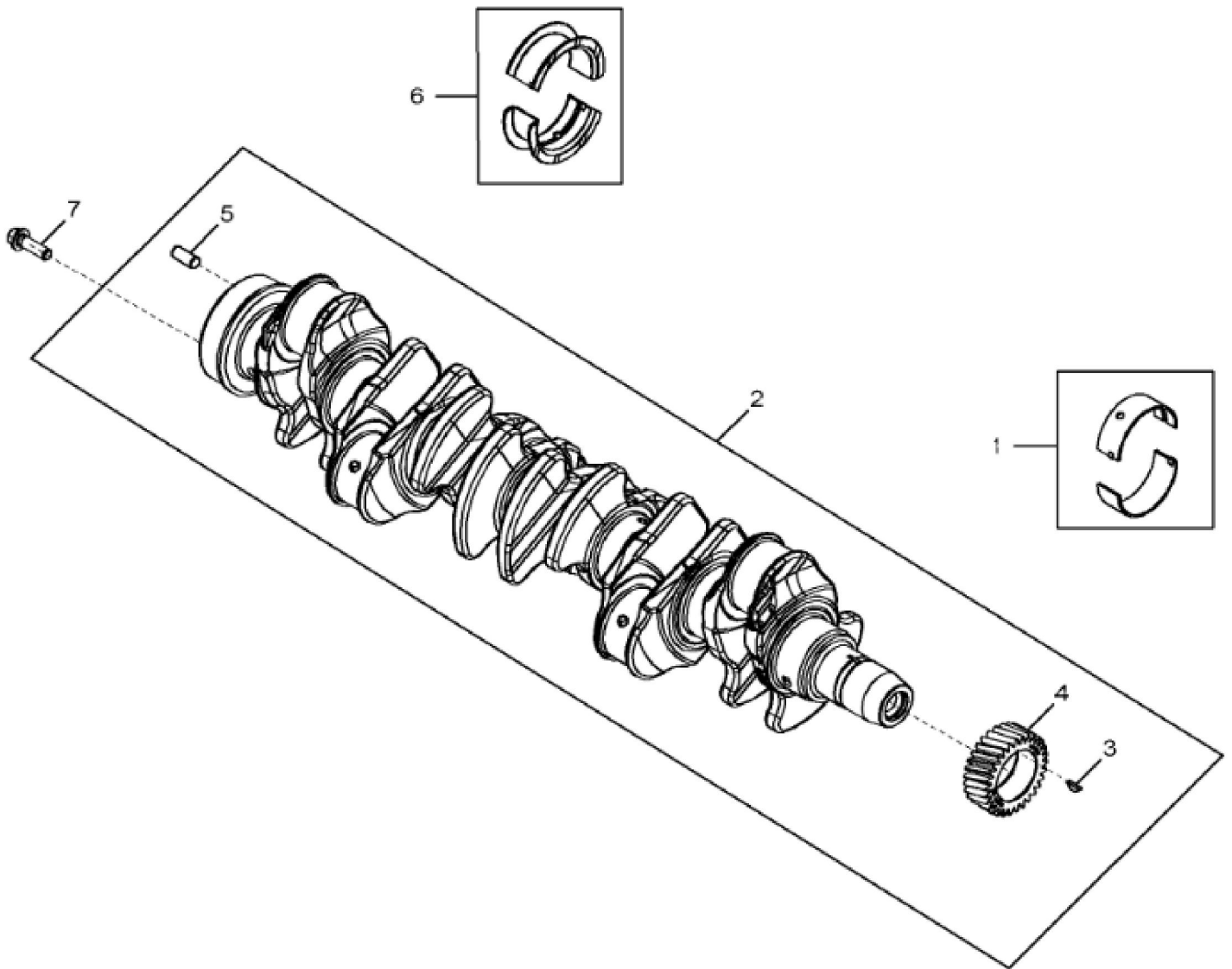
Hello dear friend!

Thank you very much for reading.

Enter the link into your browser.

The full manual is available for immediate download.

**<https://www.ebooklibonline.com>**



John Deere > Construction And Forestry >DOZER, CRAWLER >700K - DOZER, CRAWLER >700K Crawler Dozer (PIN: 1T0700KX\_ \_F275598- ) Engine 6068HT108 >04 ENGINE 6068HT108-RE559139 >0400 ENGINE 6068HT108-RE559139 6068HT108 >ST795109 - 4732 CRANKSHAFT AND BEARINGS

KEY	PART NO.	PART NAME	QTY	REMARKS	
1	RE65165	BEARING KIT	6	(Main) KIT; R123561 AND R123562	
2	RE568158	CRANKSHAFT	1	MARKED R503470	
3	R505609	SHAFT KEY	1		
4	R544000	GEAR	1	Z = 30, MARKED R545199	
5	A120R	DOWEL PIN	1		
6	RE65168	BEARING KIT	1	(Thrust) KIT; R123563 AND R123564	
7	R135918	BOLT	6		



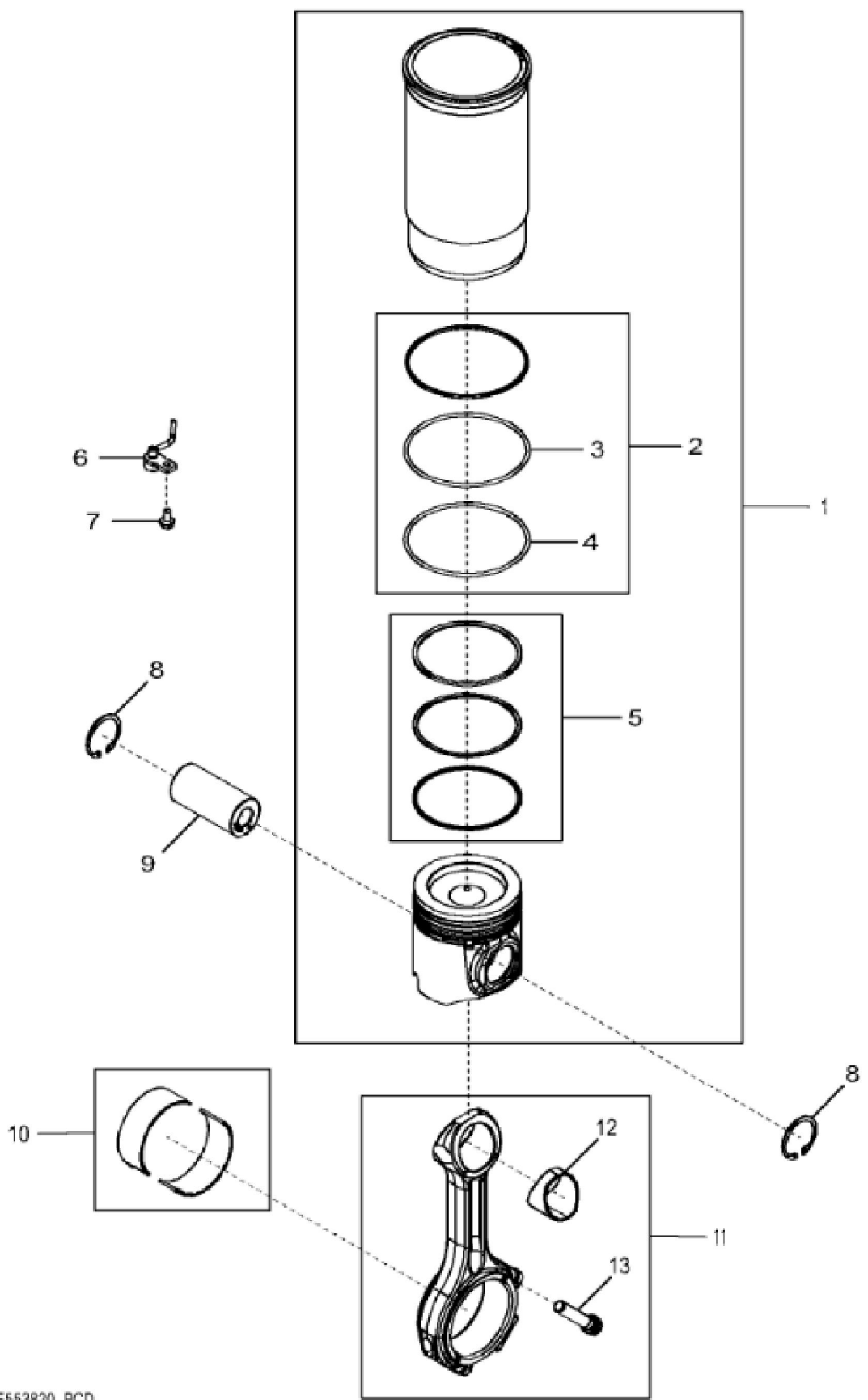
**Suggest:**

**For more complete manuals. Please go to the home page.**

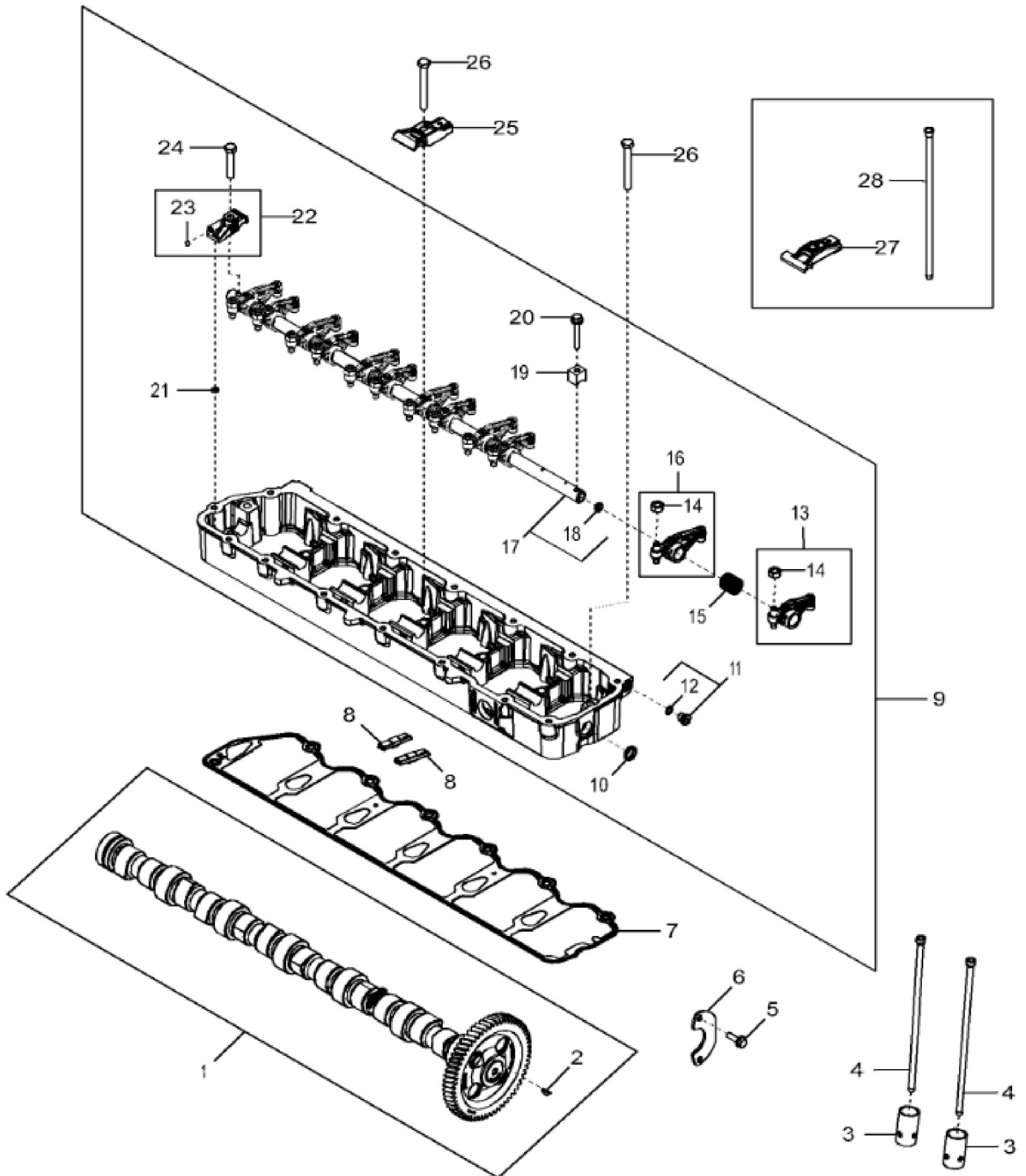
**<https://www.ebooklibonline.com>**

**If the above button click is invalid. Please download this document first, and then click the above link to download the complete manual.**

**Thank you so much for reading**



KEY	PART NO.	PART NAME	QTY	REMARKS
1	RE561621	PISTON-LINER KIT	6	PISTON MARKED RE553821
2	RE539558	SEAL KIT	6	
3	R26121	O-RING	6	
4	R55453	O-RING	6	
5	RE539423	PISTON RING KIT	6	
6	RE556557	NOZZLE	6	
7	R529612	CAP SCREW	6	
8	R54114	SNAP RING	12	
9	R528652	PISTON PIN	6	
10	RE539421	BEARING KIT	6	KIT; (2) R525684
11	RE500608	CONNECTING ROD	6	
11	SE501094	CONNECTING ROD REMAN	AR	REMAN FOR RE500608
12	R114082	BUSHING	6	
13	R501124	SCREW	12	



**<https://www.ebooklibonline.com>**

Hello dear friend!

Thank you very much for reading.

Enter the link into your browser.

The full manual is available for immediate download.

**<https://www.ebooklibonline.com>**