

KEY	PART NO.	PART NAME	QTY	REMARKS
1	...	CYLINDER BLOCK	2	MARKED R504850
2	15H584	PIPE PLUG	1	1/2"
3	A120R	DOWEL PIN	4	
4	R131182	ORIFICE	6	
5	T18891	PLUG	2	
6	RE508185	FITTING	2	
7	U13639	O-RING	1	
8	R132186	BEARING CAP	1	SUB FOR R114240
9	R535005	CAP SCREW	14	SUB FOR T23474 AND RE546403
10	R114241	BEARING CAP	6	
11	15H695	PIPE PLUG	1	3/8", SUB FOR 15H623
12	R97185	O-RING	1	
13	D2361R	BALL	1	
14	B153R	DOWEL PIN	2	
15	R121043	VALVE	1	
16	R111137	SPRING	1	
17	RE505501	BLEED VALVE	1	
18	R131425	COMPRESSION SPRING	1	
19	R119874	BUSHING	1	
20	R116466	PLUG	1	
21	RE42713	PIPE PLUG	7	SUB FOR RE71255
22	RE507807	PIPE PLUG	1	

**<https://www.ebooklibonline.com>**

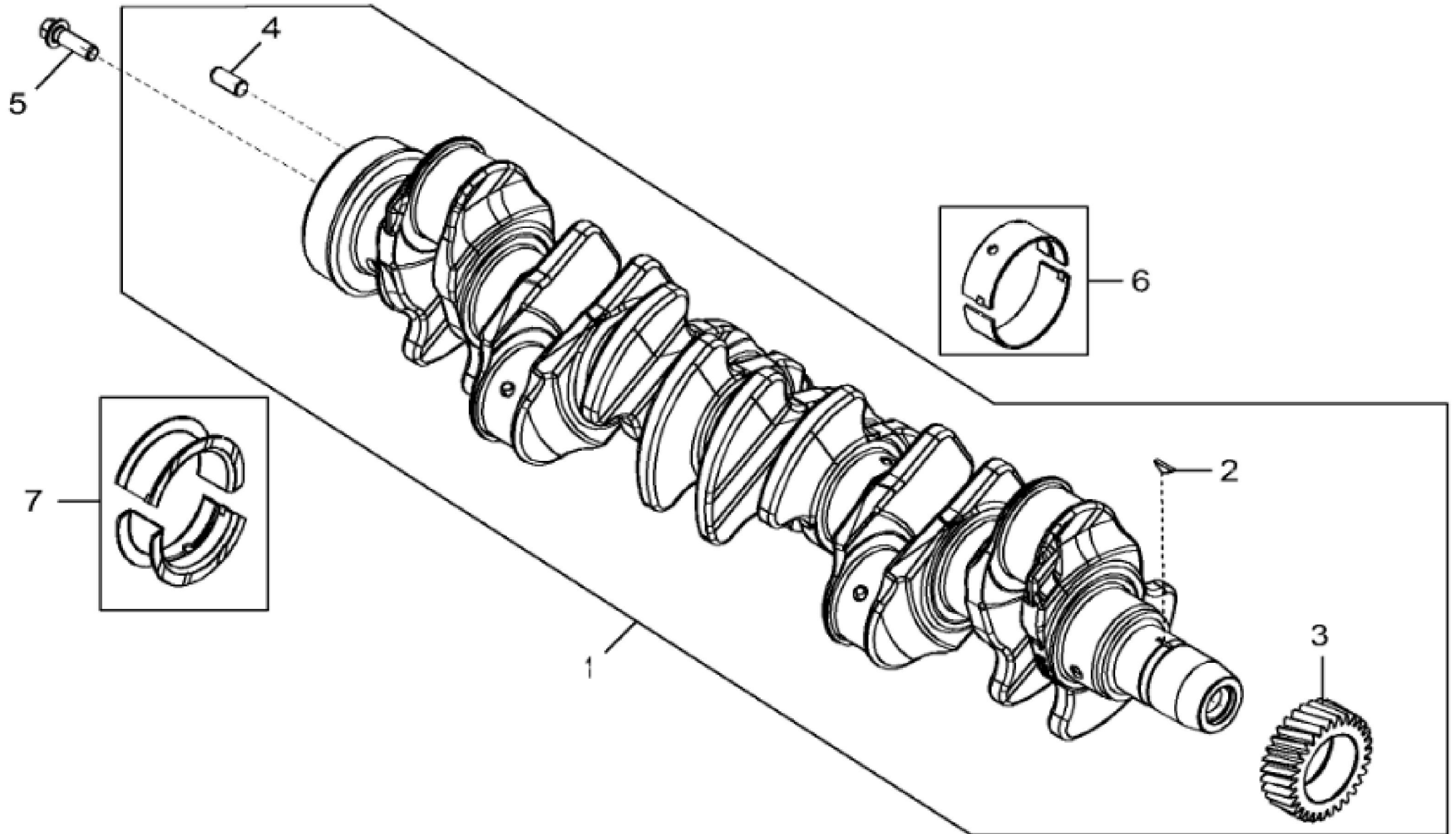
Hello dear friend!

Thank you very much for reading.

Enter the link into your browser.

The full manual is available for immediate download.

**<https://www.ebooklibonline.com>**



John Deere > Construction And Forestry >DOZER, CRAWLER >700J - DOZER, CRAWLER >700J (Tier 3) Crawler Dozer (s.n. 139436- ) >04 ENGINE 6068HT066-DZ104071 >0400 ENGINE 6068HT066-DZ104071 6068HT066 >ST816629 - 4712 CRANKSHAFT AND BEARINGS

KEY	PART NO.	PART NAME	QTY	REMARKS
1	RE505921	CRANKSHAFT	1	MARKED R503470; ALSO ORDER RE537070 AND RE537071
1	SE501655	CRANKSHAFT REMAN	1	(With Bearings) REMAN FOR RE505921
2	R505609	SHAFT KEY	1	LGTH = 18.5 mm
3	R120631	GEAR	1	Z = 30
4	R48685	DOWEL PIN	1	SUB FOR A120R
5	R135918	BOLT	6	
6	RE65165	BEARING KIT	6	STD, Kit, R123561 AND R123562
6	RE65911	BEARING	AR	US = 0.254 mm, Kit, R130576 AND R130577
7	RE65168	BEARING KIT	1	STD, Kit, R123564 AND R123563
7	RE65912	THRUST BEARING	AR	US = 0.254 mm, Kit, R130574 AND R130575



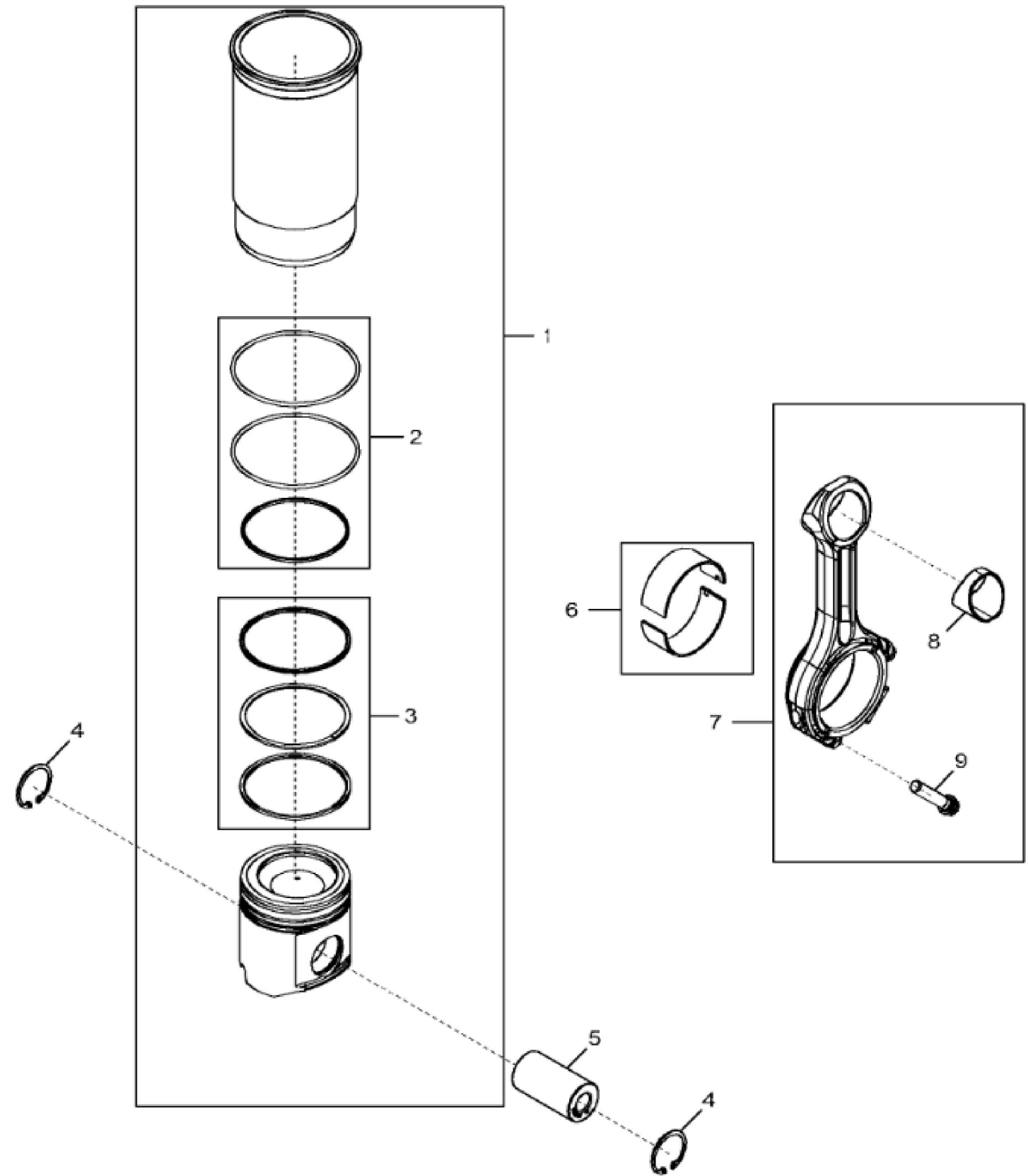
**Suggest:**

**For more complete manuals. Please go to the home page.**

**<https://www.ebooklibonline.com>**

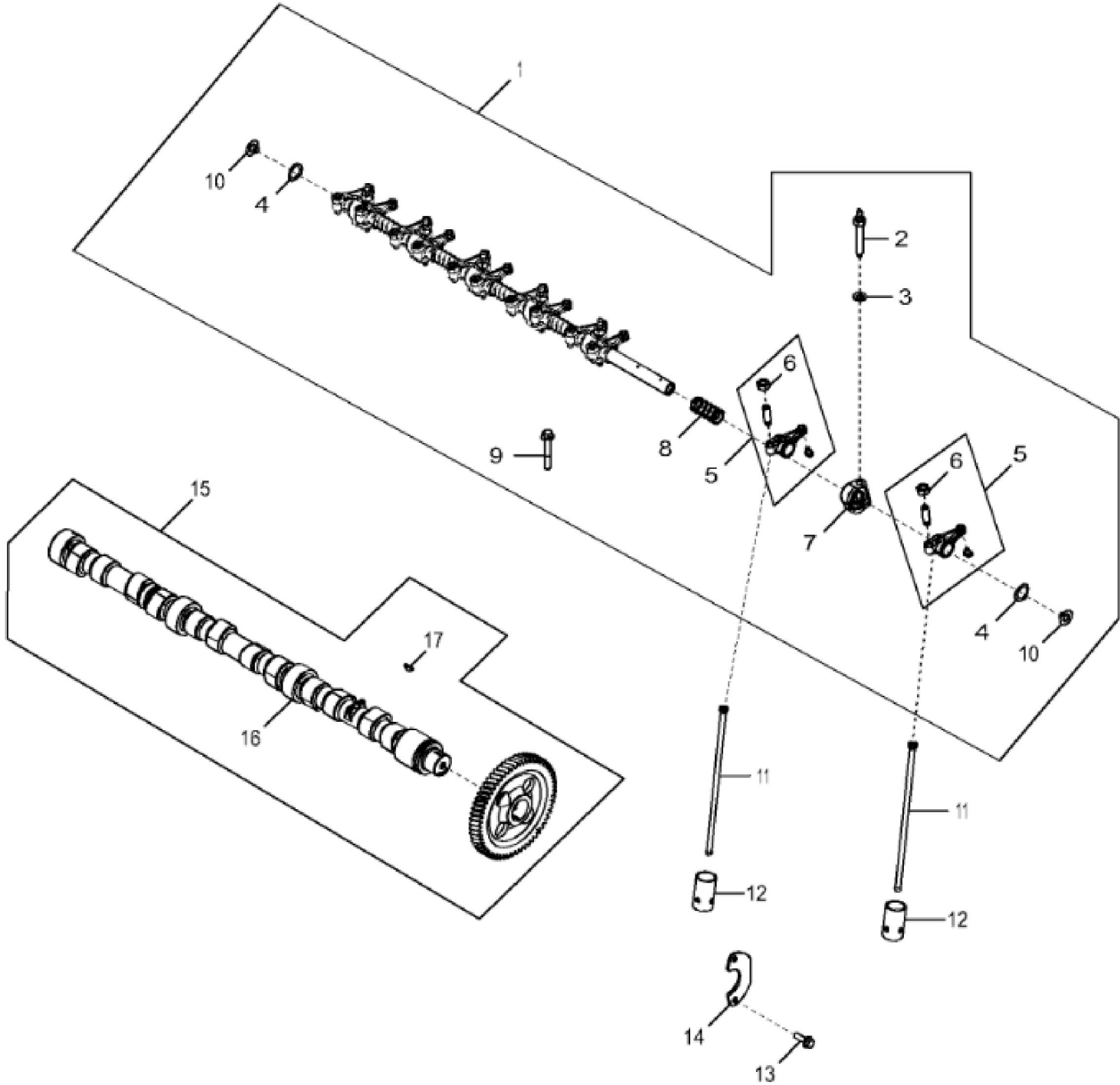
**If the above button click is invalid. Please download this document first, and then click the above link to download the complete manual.**

**Thank you so much for reading**



John Deere > Construction And Forestry >DOZER, CRAWLER >700J - DOZER, CRAWLER >700J (Tier 3) Crawler Dozer (s.n. 139436- ) >04 ENGINE 6068HT066-DZ104071 >0400 ENGINE 6068HT066-DZ104071 6068HT066 >ST569320 - 4839 CONNECTING RODS AND PISTONS

KEY	PART NO.	PART NAME	QTY	REMARKS	
1	RE536083	PISTON-LINER KIT	6	SUB FOR RE527843	
2	AR65507	O-RING KIT	1		
3	RE507852	PISTON RING KIT	1		
4	R54114	SNAP RING	12		
5	R502755	PISTON PIN	6		
6	RE65908	BEARING	6		
7	RE500608	CONNECTING ROD	6		
7	SE501094	CONNECTING ROD REMAN	AR	REMAN FOR RE500608	
8	R114082	BUSHING	1		
9	R501124	SCREW	2		



**<https://www.ebooklibonline.com>**

Hello dear friend!

Thank you very much for reading.

Enter the link into your browser.

The full manual is available for immediate download.

**<https://www.ebooklibonline.com>**