

TP52072

John Deere > Construction And Forestry > BULLDOZER > 700H - BULLDOZER > 700H Crawler Dozer > 03 TRANSMISSION 3 > 0355 VARIABLE SPEED DRIVES > ST263969 - HYDROSTATIC PUMP LIMITATION CONTROL, DRIVE SHAFT AND SIDE COVER ASSEMBLY

KEY	PART NO.	PART NAME	QTY	Serial No.	REMARKS
1	T177597	BEARING	1		
2	T15509	SNAP RING	1		
3	N206810	SHAFT	1		(REAR)
3	T178726	SHAFT	1		(FRONT)
4	R151103	PISTON RING	2		
5	T176262	O-RING	2		
6	RE151101	PISTON REPLACEMENT KIT	1		(SERVO PISTON)
7	R151097	O-RING	1		
8	T35580	O-RING	1		
9	19M7932	CAP SCREW	3		M8 X 16
10	RE151096	CYLINDER	1		(SERVO KIT)
11	T177595	POST	2		(GUIDE)
12	AT362739	LEVER KIT	1		(SUB FOR AT220771 AND AT350790)
13	E80224	O-RING	1		
14	RE151074	INSERT	1		(SIDE COVER)
15	T155641	SCREW	6		
16	T155640	NUT	2		
17	T64769	DRAIN PLUG	1	_____-908629	
18	R151067	COVER	1		(SIDE)
19	R151069	SHIM	2		
20	R151097	O-RING	1		
21	T35580	O-RING	1		
22	19M7932	CAP SCREW	3		M8 X 16
23	RE151096	CYLINDER	1		(SERVO KIT)
24	R151072	SPRING	2		(COMPRESSION)
25	AN220311	SEAL KIT	1		(OVERHAUL)

**<https://www.ebooklibonline.com>**

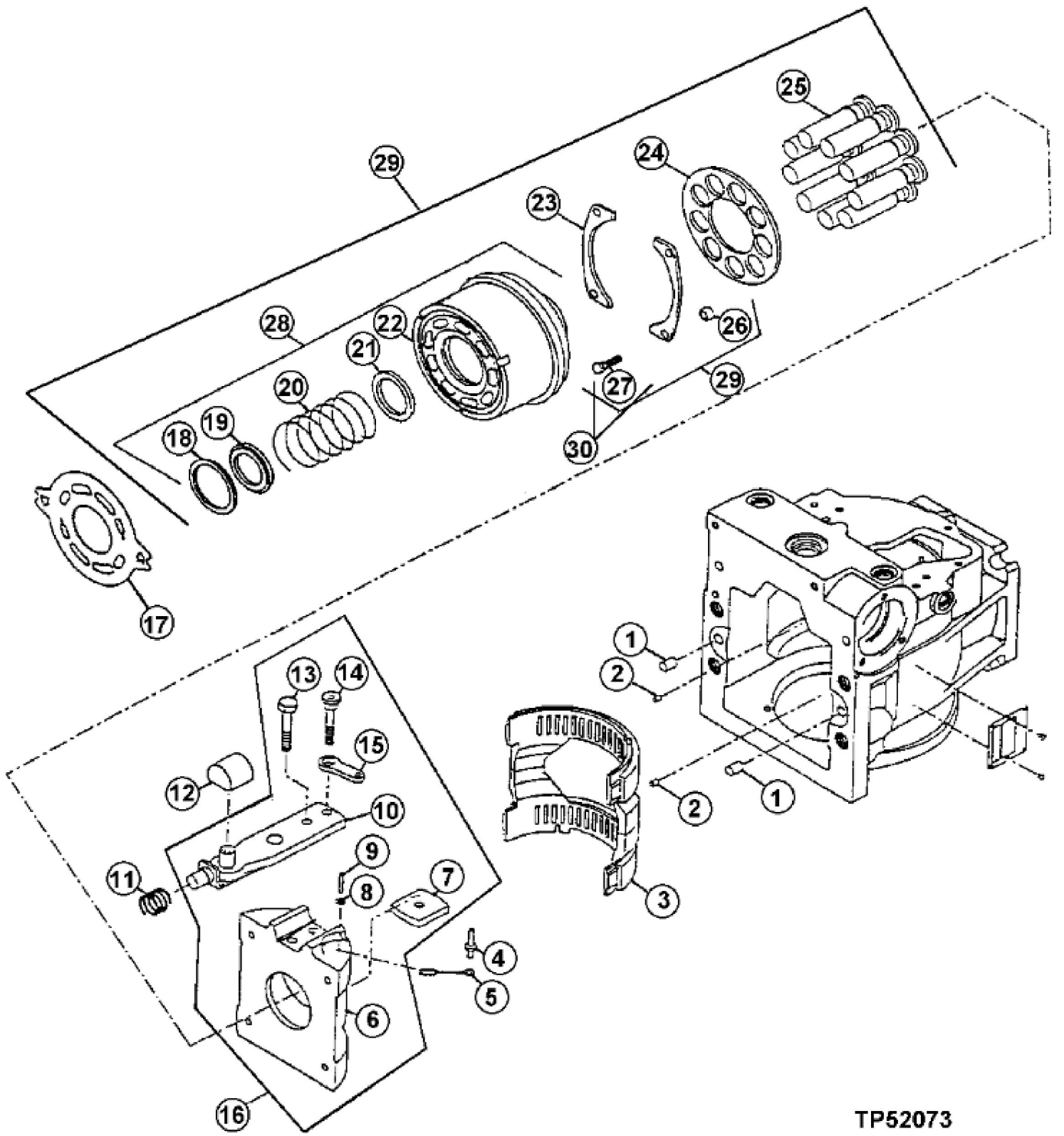
Hello dear friend!

Thank you very much for reading.

Enter the link into your browser.

The full manual is available for immediate download.

**<https://www.ebooklibonline.com>**



TP52073

John Deere > Construction And Forestry > BULLDOZER > 700H - BULLDOZER > 700H Crawler Dozer > 03 TRANSMISSION 3 > 0355 VARIABLE SPEED DRIVES > ST263970 - HYDROSTATIC PUMP HOUSING, SWASHPLATE, PISTON AND CYLINDER BLOCK ASSEMBLY

KEY	PART NO.	PART NAME	QTY	Serial No.	REMARKS
1	R726R	DOWEL PIN	2		
2	T155936	PIN	2		
3	R151062	BEARING	1		
4	RE159656	PIN	1		
5	R151065	LINK	1		(CAGE LOCATOR)
6	T176242	SWASH PLATE	1		(VARIABLE)
7	AT214873	GUIDE	1		(SWASH PLATE)
8	T24199	WASHER	1		
9	AT214874	PIN FASTENER	1		(SPIRAL)
10	AT220770	ACTUATOR	1		(SERVO ARM)
11	R151066	SPRING	1		
12	R151075	CLAMP	1		(SLIDER BLOCK)
13	T176243	SCREW	1		
14	T176244	SCREW	1		
15	T176245	LINK	1		(SUB FOR T179641)(FEEDBACK)
16	RE151064	YOKE	1		(SWASHPLATE ASSEMBLY)
17	R151063	PLATE	1		
18	T176259	RING	1		(RETAINING)
19	T176258	PLATE	1		(SPRING RETAINER)
20	T176256	SPRING	1		
21	T176257	SPRING WASHER	1		(SEAT)
22	T176260	RING	1	____-920838	(SPEED)
23	R151099	BEARING	2		(SLIPPER GUIDE)
24	N220940	GUIDE	1		(SLIPPER)
25	AN220419	PISTON	9		(WELDED ASSEMBLY)
26	T177594	SPACER	4		
27	T176261	SCREW	4		
28	AT221619	CYLINDER	1		(BLOCK ASSEMBLY WITH SPEED RING)
29	AT221620	CYLINDER BLOCK	1	____-920838	(KIT WITH SPEED RING)
29	AT224344	CYLINDER BLOCK	1	920839-____	(KIT WITHOUT SPEED RING)
30	AN220311	SEAL KIT	1		(OVERHAUL)(PARTS INCLUDED ON OTHER PAGES)



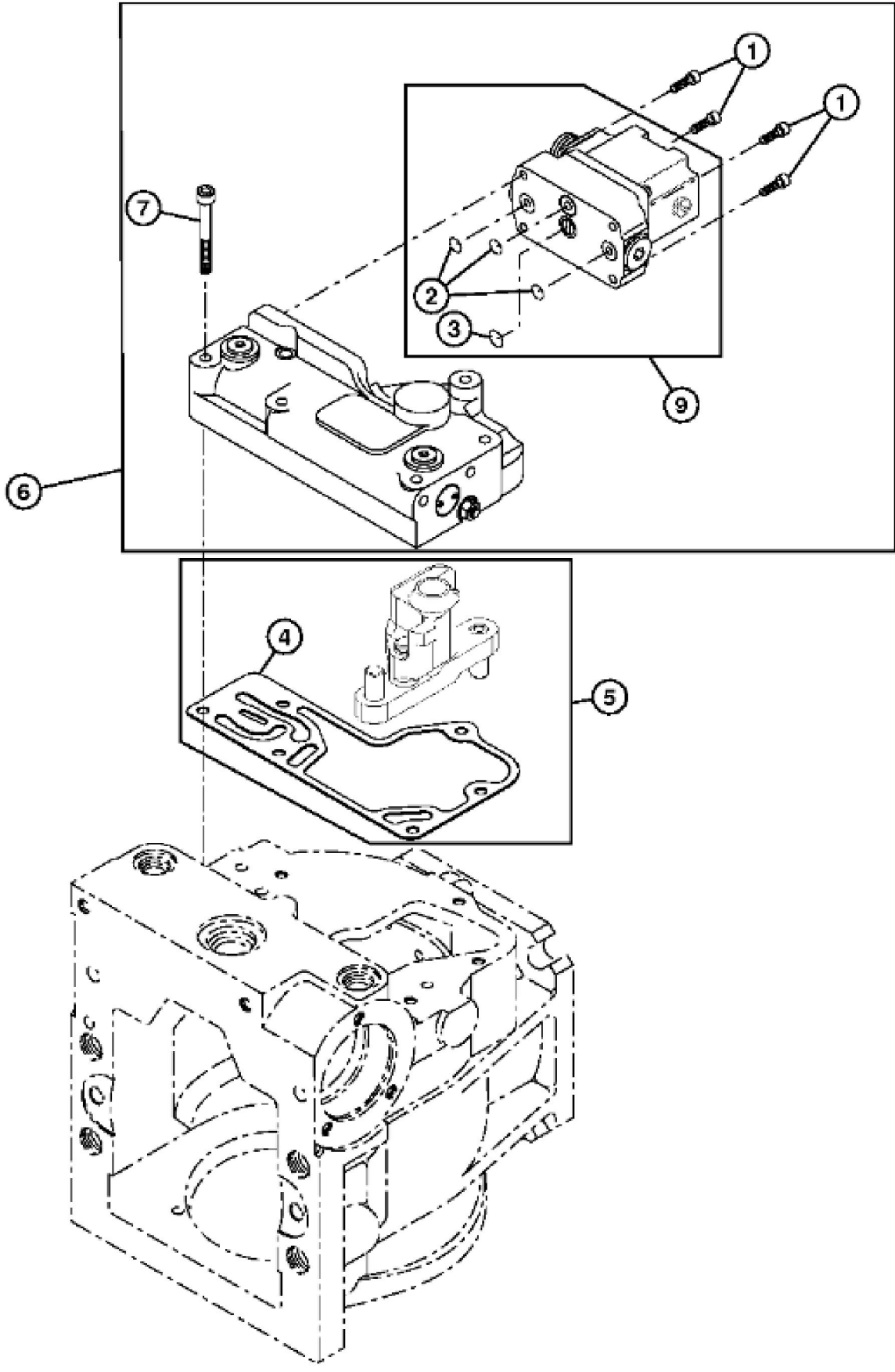
**Suggest:**

**For more complete manuals. Please go to the home page.**

**<https://www.ebooklibonline.com>**

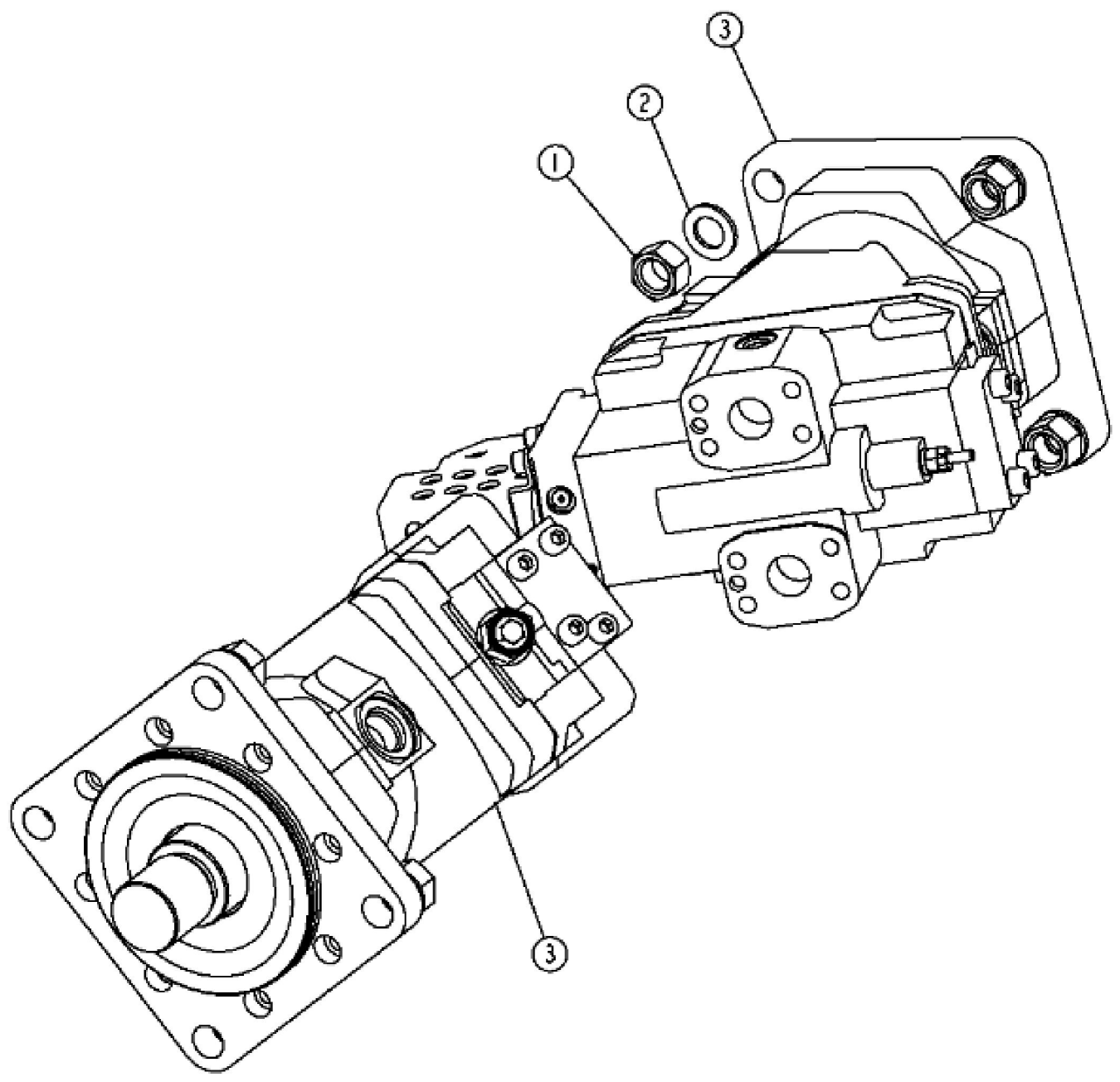
**If the above button click is invalid. Please download this document first, and then click the above link to download the complete manual.**

**Thank you so much for reading**



## DISPLACEMENT CONTROL VALVE

KEY	PART NO.	PART NAME	QTY	REMARKS	
1	19M7600	SCREW	4	M5 X 12	
2	T164365	O-RING	3		
3	T200765	O-RING	1		
4	R151090	GASKET	1	(CONTROL)	
5	AT310345	LINKAGE	1		
6	AT220779	HYD ACTUATED CONTROL VALVE	1	(ELECTRONIC DISPLACEMENT)	
7	19M8541	SCREW	6	M6 X 50	
9	AT220775	HYD ACTUATED CONTROL VALVE	1	(PRESSURE CONTROL PILOT)	



TP67595

**<https://www.ebooklibonline.com>**

Hello dear friend!

Thank you very much for reading.

Enter the link into your browser.

The full manual is available for immediate download.

**<https://www.ebooklibonline.com>**