

TP12232

John Deere > Construction And Forestry > EXCAVATOR > 690DR - EXCAVATOR > 690D and 690DR Excavators, 693D Feller Buncher > 4 ENGINE 4 > CYLINDER BLOCK 0404 > 0404-1 - CYLINDER BLOCK AND MAIN BEARING CAPS [01E18]

KEY	PART NO.	PART NAME	QTY	690D	693D	690DR	REMARKS
1	15H562	PIPE PLUG	1	X	X	X	1"
2	R48685	DOWEL PIN	2	X	X	X	
3	.....	CYLINDER BLOCK	1	X	X	X	
4	R55233	PIPE PLUG	1	X	X	X	
5	R39741	DRAIN PLUG	1	X	X	X	(WITHOUT ENGINE COOLANT HEATER)
6	U13639	O-RING	1	X	X	X	(WITHOUT ENGINE COOLANT HEATER)
7	R104592	PIPE PLUG	7	X	X	X	(SUB FOR 15H558, THIS APPLICATION)
8	R122226	STUD	1	X	X	X	(SUB FOR R122226)
9	R122226	STUD	1	X	X	X	(SUB FOR R122226)
10	T18891	PLUG	2	X	X	X	
11	R26650	DOWEL PIN	2	X	X	X	
12	R65215	BEARING CAP	6	X	X	X	
13	T20168	WASHER	14	X	X	X	
14	T23474	CAP SCREW	14	X	X	X	
15	R79089	CAP	1	X	X	X	
16	R54802	ORIFICE	6	X	X	X	
17	R48685	DOWEL PIN	1	X	X	X	
18	RE31656	CYLINDER BLOCK	1	X	X	X	(MARKED R90171, R112871 OR R124853) (SUB FOR RE25614) (MARKED R78557) (SUB RE50677) (ALSO ORDER R83169, T27658, R111135, R111137 AND R112867)

**<https://www.ebooklibonline.com>**

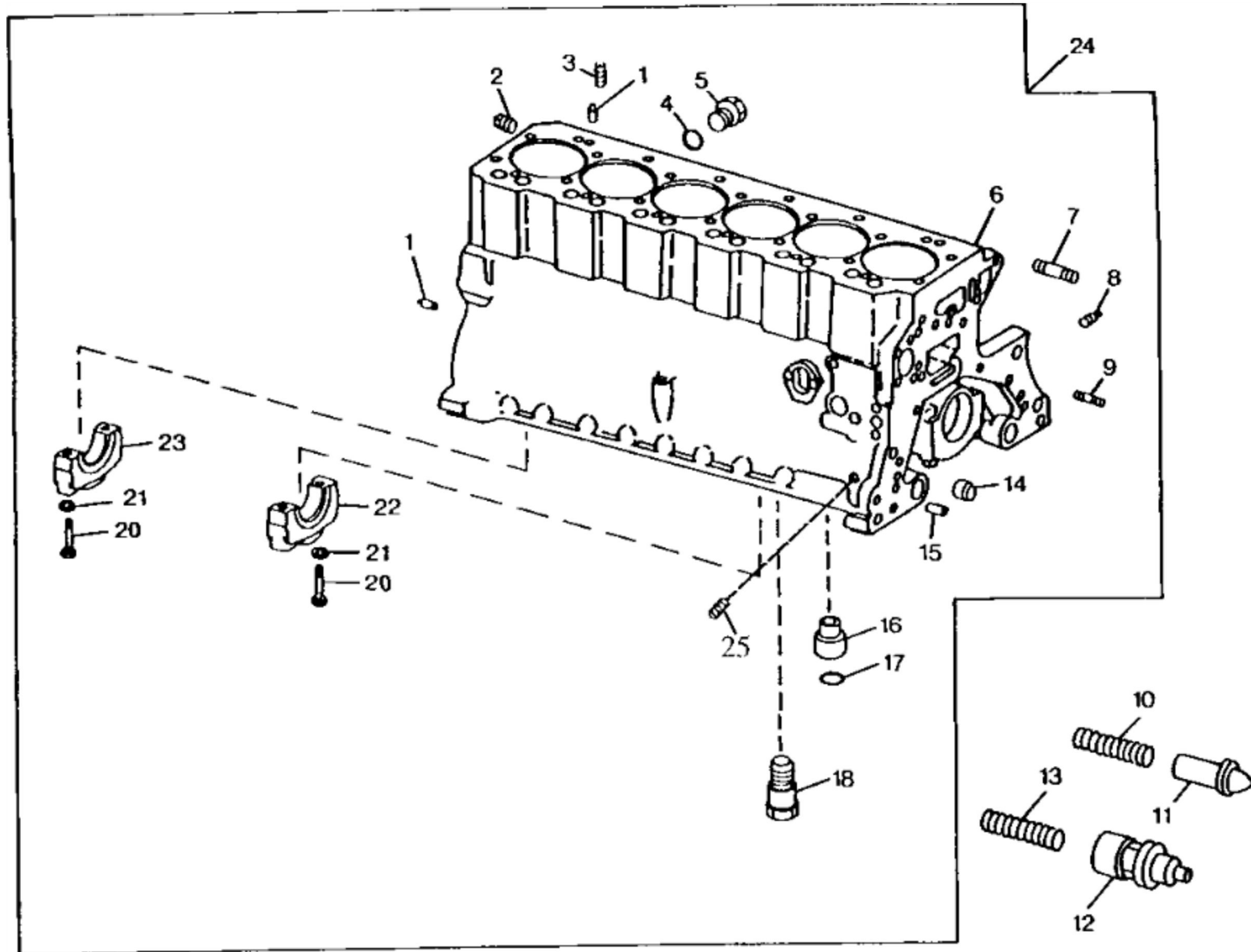
Hello dear friend!

Thank you very much for reading.

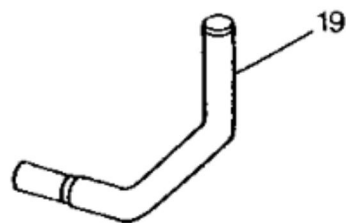
Enter the link into your browser.

The full manual is available for immediate download.

**<https://www.ebooklibonline.com>**



TP46341



John Deere > Construction And Forestry > EXCAVATOR > 690DR - EXCAVATOR > 690D and 690DR Excavators, 693D Feller Buncher > 4 ENGINE 4 > CYLINDER BLOCK 0404 > 0404-2 - REPLACEMENT  
 CYLINDER BLOCK AND MAIN BEARING CAP [01E19]

KEY	PART NO.	PART NAME	QTY	690D	693D	690DR	REMARKS
1	R48685	DOWEL PIN	4	X	X	X	
2	15H562	PIPE PLUG	1	X	X	X	1"
3	RE57836	PIPE PLUG	1	X	X	X	1/2", (SUB FOR 15H624)
4	U13639	O-RING	1	X	X	X	
5	R39741	DRAIN PLUG	1	X	X	X	
6	.....	CYLINDER BLOCK	1	X	X	X	
7	R122226	STUD	2	X	X	X	(SUB FOR R122226)
8	R104592	PIPE PLUG	7	X	X	X	
9	T25701	STUD	1	X	X	X	
10	T27658	SPRING	1	X	X	X	
11	R83169	VALVE	1	X	X	X	
12	R111135	VALVE	1	X	X	X	
13	R111137	SPRING	1	X	X	X	
14	R26493	BUSHING	1	X	X	X	OIL PRESSURE RELIEF VALVE
15	R26650	DOWEL PIN	2	X	X	X	
16	R115390	BUSHING	1	X	X	X	
17	R97185	O-RING	1	X	X	X	(OIL PUMP TUBE)
18	R54802	ORIFICE	6	X	X	X	
19	R112867	OIL TUBE	1	X	X	X	
20	T23474	CAP SCREW	14	X	X	X	
21	T20168	WASHER	14	X	X	X	
22	R65215	BEARING CAP	6	X	X	X	MAIN BEARING
23	R79089	CAP	1	X	X	X	MAIN BEARING
24	RE50677	CYLINDER BLOCK	1	X	X	X	(MARKED R83169, R112871 OR R124853) (ALSO ORDER R83169, T27658, R111135, R111137 AND R112867)
25	15H623	PIPE PLUG	AR				3/8"



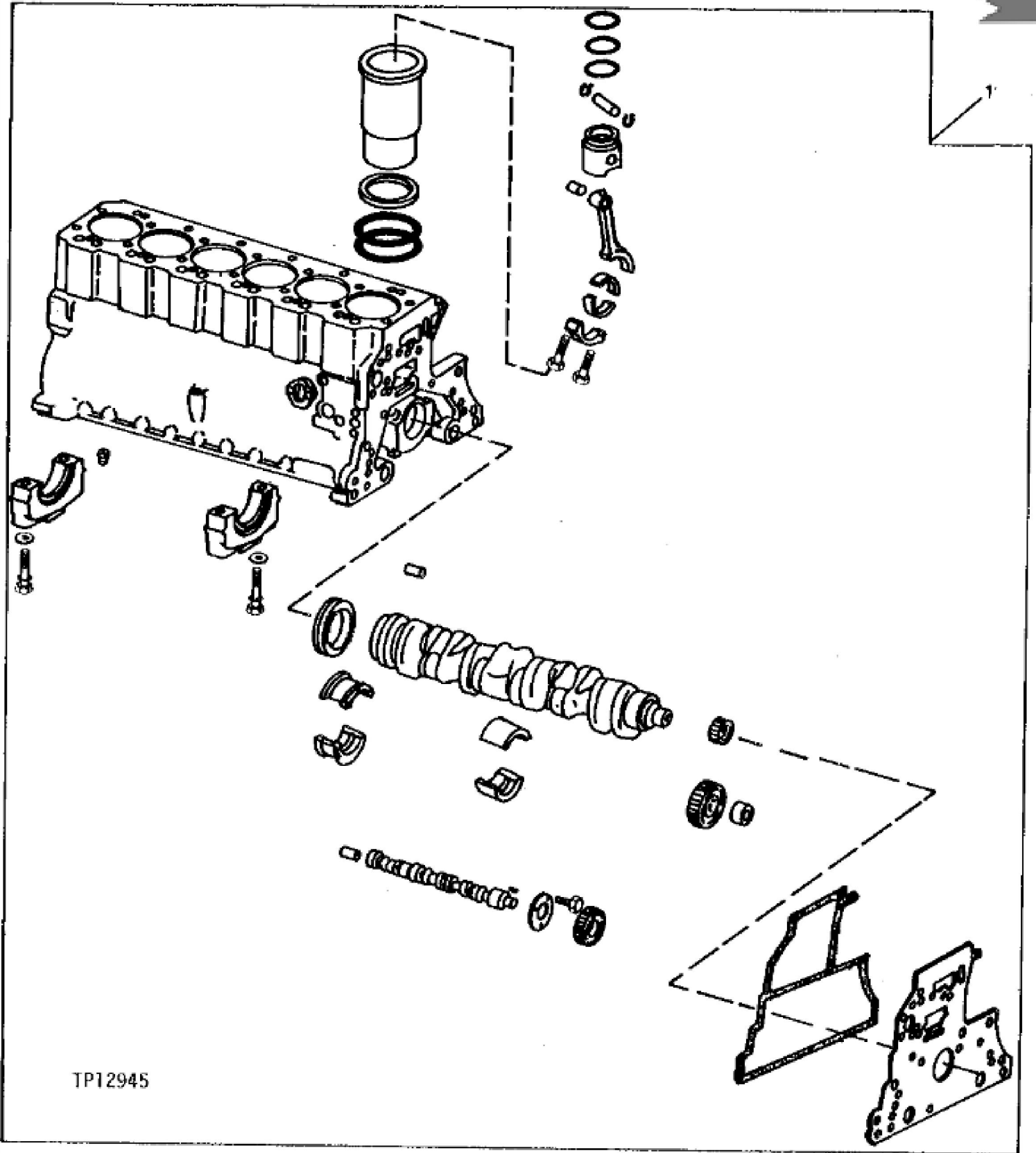
**Suggest:**

**For more complete manuals. Please go to the home page.**

**<https://www.ebooklibonline.com>**

**If the above button click is invalid. Please download this document first, and then click the above link to download the complete manual.**

**Thank you so much for reading**



TP12945

KEY	PART NO.	PART NAME	QTY	Engine Serial No.	690D	693D	690DR	REMARKS
1	RE31657	SHORT BLOCK ASSEMBLY	1	____-299999	X	X	X	(MARKED R90171) (SUB FOR RE25612, MARKED R78557) (SUB RE60843) (ALSO ORDER R83169, T27658, R112867) (6414)
1	RE50684	SHORT BLOCK ASSEMBLY	1	300000-____	X	X	X	(SUB RE60845) (MARKED R112871 OR R124853) (6068)



**<https://www.ebooklibonline.com>**

Hello dear friend!

Thank you very much for reading.

Enter the link into your browser.

The full manual is available for immediate download.

**<https://www.ebooklibonline.com>**