

RGP2569

John Deere > Construction And Forestry > EXCAVATOR > 690CR - EXCAVATOR > 690CR Excavator > 4 ENGINE 4 > CAMSHAFT AND VALVE ACTUATING MEANS 0402 > 0402-3 - ROCKER ARM COVER AND ENGINE VENTILATOR OUTLET [01C16]

KEY	PART NO.	PART NAME	QTY	REMARKS
1	AR21839	CLAMP	2	
2	AR103811	SCREW WITH WASHER	8	(SUB FOR AR100124)
3	AR93172	COVER	1	(SUB RE37448)
3	RE37448	COVER	1	
4	R49866	GASKET	1	
5	R50388	TUBE	1	
6	R60753	HOSE	1	

<https://www.ebooklibonline.com>

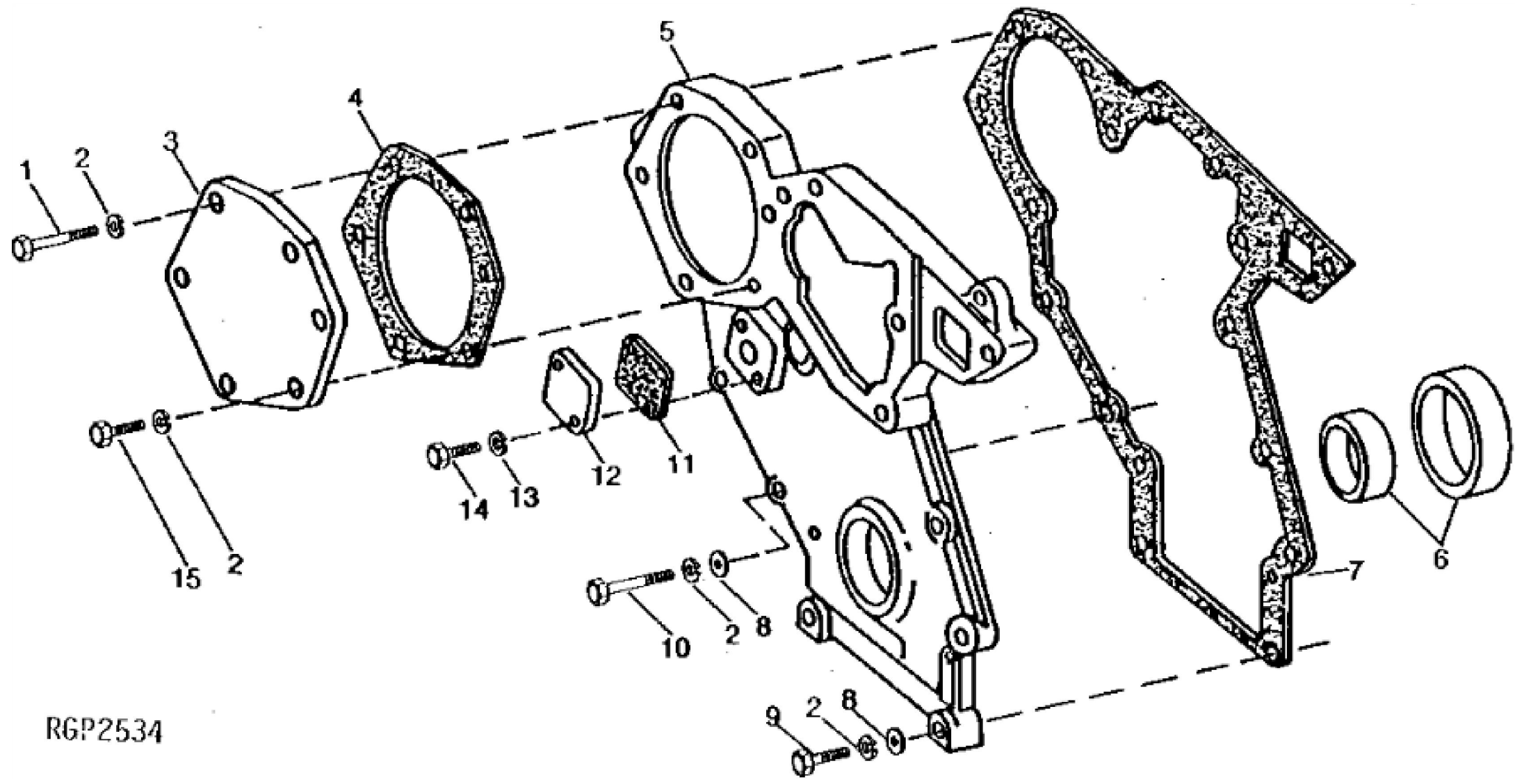
Hello dear friend!

Thank you very much for reading.

Enter the link into your browser.

The full manual is available for immediate download.

<https://www.ebooklibonline.com>



RGP2534

John Deere > Construction And Forestry > EXCAVATOR > 690CR - EXCAVATOR > 690CR Excavator > 4 ENGINE 4 > CAMSHAFT AND VALVE ACTUATING MEANS 0402 > 0402-4 - CRANKSHAFT FRONT OIL SEAL AND TIMING GEAR COVER [01C17]

KEY	PART NO.	PART NAME	QTY	REMARKS
1	19H1907	CAP SCREW	5	5/16" X 2-3/4"
2	12H303	LOCK WASHER	12	5/16"
3	R50393	COVER	1	
4	R50390	GASKET	1	
5	R71316	COVER	1	
6	AR49025	SEAL	1	
7	R71314	GASKET	1	
8	24H1136	WASHER	6	11/32" X 11/16" X 0.065"
9	19H3552	CAP SCREW	4	5/16" X 1-1/2"
10	19H2713	CAP SCREW	2	5/16" X 1-7/8"
11	R67770	GASKET	1	
12	R67769	COVER	1	
13	12H302	LOCK WASHER	2	1/4"
14	19H3239	CAP SCREW	2	3/8" X 1-1/4"
15	19H2705	CAP SCREW	1	5/16" X 1"



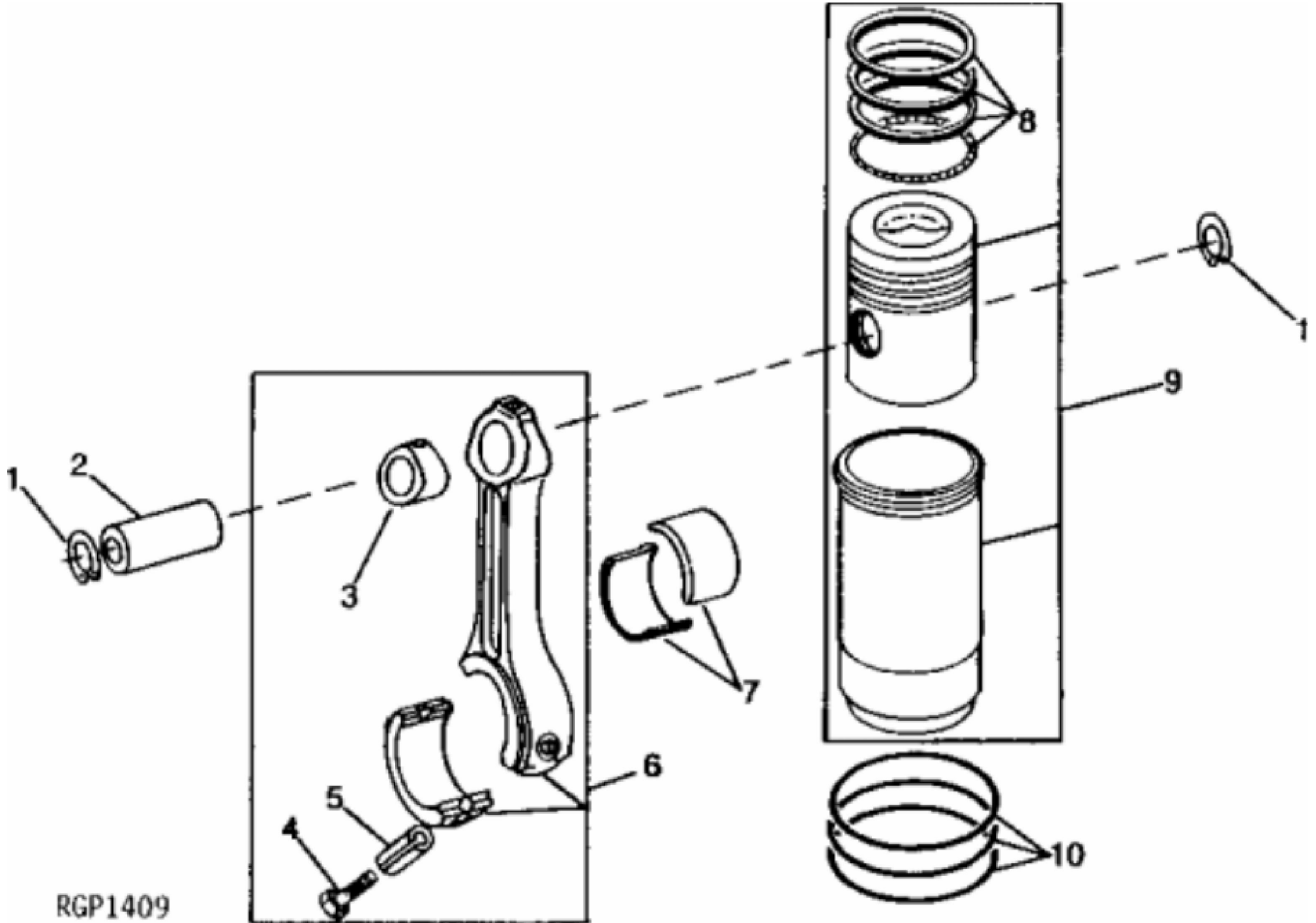
Suggest:

For more complete manuals. Please go to the home page.

<https://www.ebooklibonline.com>

If the above button click is invalid. Please download this document first, and then click the above link to download the complete manual.

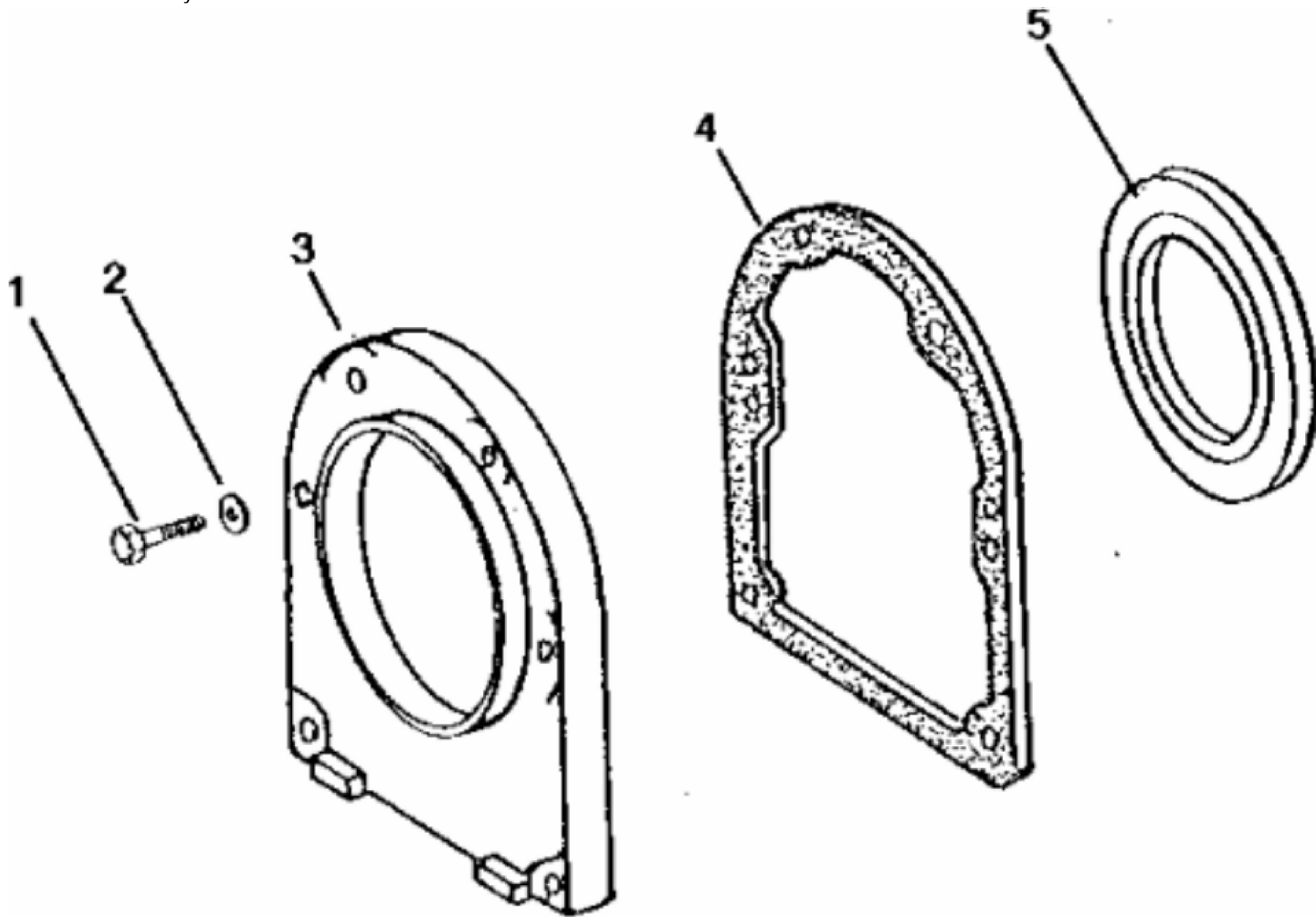
Thank you so much for reading



RGP1409

John Deere > Construction And Forestry > EXCAVATOR > 690CR - EXCAVATOR > 690CR Excavator > 4 ENGINE 4 > CONNECTING RODS AND PISTONS 0403 > 0403-1 - PISTON, RINGS, LINERS AND CONNECTING RODS [01C18]

KEY	PART NO.	PART NAME	QTY	REMARKS
1	E1343FN	SNAP RING	12	
2	R57771	PISTON PIN	6	
3	R74008	BUSHING	6	
4	R66452	CAP SCREW	12	
5	R53292	SLEEVE	12	
6	SE500498	CONNECTING ROD	6	(MARKED R71074) (SUB FOR AR93341)
7	AR73277	BEARING	AR	STANDARD (PKG. OF (2) R57583)
7	AR73278	BEARING	AR	0.05MM (.002") UNDERSIZE (PKG. OF (2) R60485)
7	AR73279	BEARING	AR	0.25MM (.010") UNDERSIZE (PKG. OF (2) R60486)
7	AR73280	BEARING	AR	0.51MM (.020") UNDERSIZE (PKG. OF (2) R60487)
7	AR73281	BEARING	AR	0.76MM (.030") UNDERSIZE (PKG. OF (2) R60488)
8	AR73627	PISTON RING	6	
9	AR100646	PISTON-LINER KIT	6	(MARKED AR100616) (SUB RE60282)
9	RE60282	PISTON-LINER KIT	6	(MARKED AR98838)
10	AR98850	O-RING KIT	6	



RGP2382

<https://www.ebooklibonline.com>

Hello dear friend!

Thank you very much for reading.

Enter the link into your browser.

The full manual is available for immediate download.

<https://www.ebooklibonline.com>