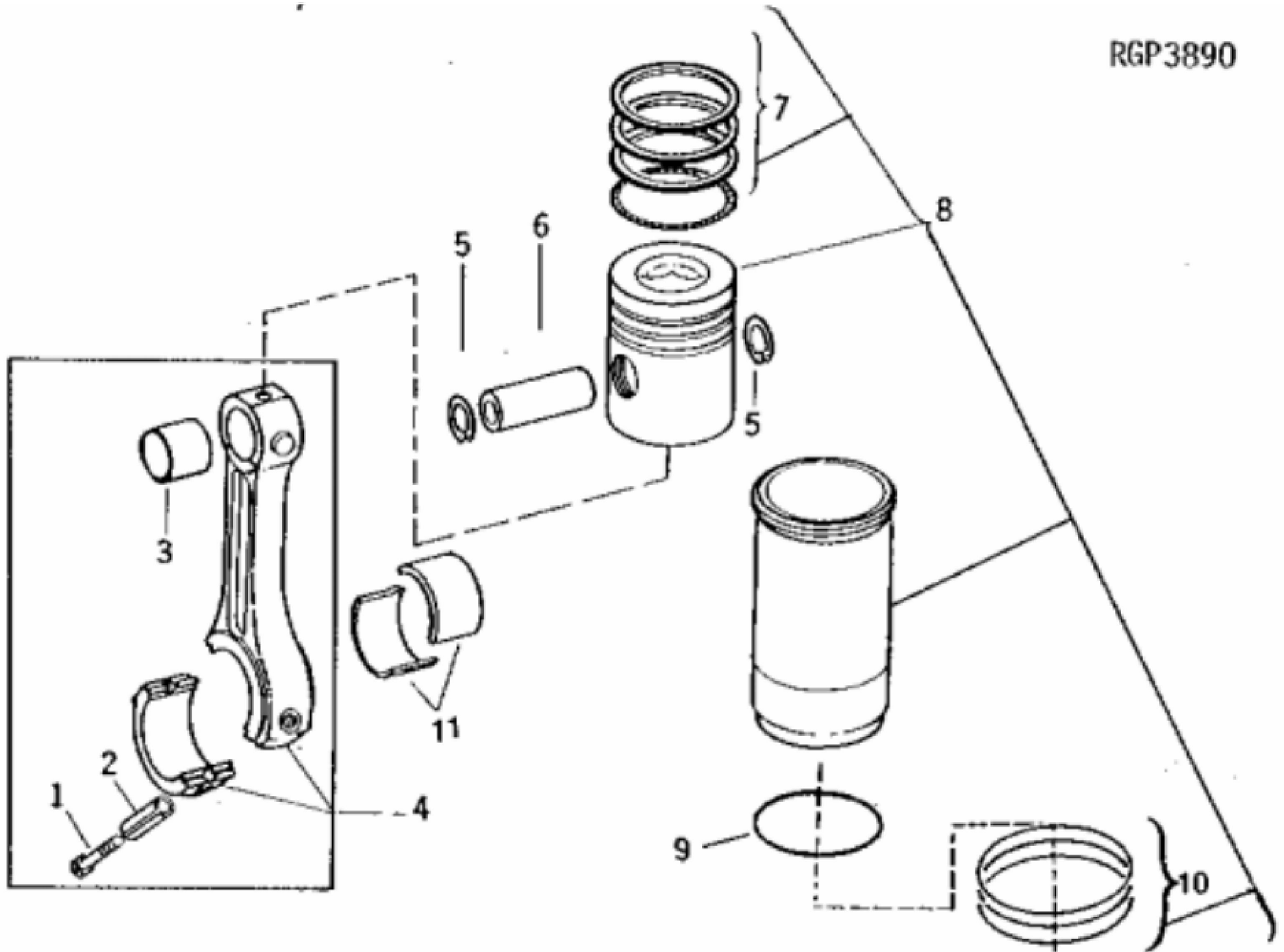


RGP3890



KEY	PART NO.	PART NAME	QTY	Engine Serial No.	REMARKS
1	R66452	CAP SCREW	12		(SUB FOR R53290)
2	R53292	SLEEVE	12		
3	R42173	BUSHING	6		
4	AR86980	CONNECTING ROD	6		(MARKED R58882 OR R66922) (SUB FOR AR70912) (SUB SE500080)
4	SE500080	CONNECTING ROD	6		(REMANUFACTURED)(FRACTURE JOINT)
5	R54114	SNAP RING	12		
6	R41425	PISTON PIN	6		
6	R54263	PISTON PIN	6		0.08 MM (.003") OS (MARKED YELLOW)
6	R54264	PISTON PIN	6		0.13 MM (.005") OS (MARKED RED)
7	AR51741	PISTON RING KIT	6		
8	AR63272	PISTON-LINER KIT	6		(MARKED AR54552 OR AR58704)
9	R116253	SHIM	AR	357084-_____	0.050 MM (.002")
10	AR65507	O-RING KIT	1		
11	AR45723	BEARING	AR		STD (PKG (2) R44378)
11	AR46395	BEARING	AR		0.05 MM (.002") US (PKG (2) R44925)
11	AR46396	BEARING	AR		0.25 MM (.010") US (PKG (2) R44926)
11	AR46397	BEARING	AR		0.51 MM (.020") US (PKG (2) R44927)
11	AR46398	BEARING	AR		0.76 MM (.030") US (PKG (2) R44928)

<https://www.ebooklibonline.com>

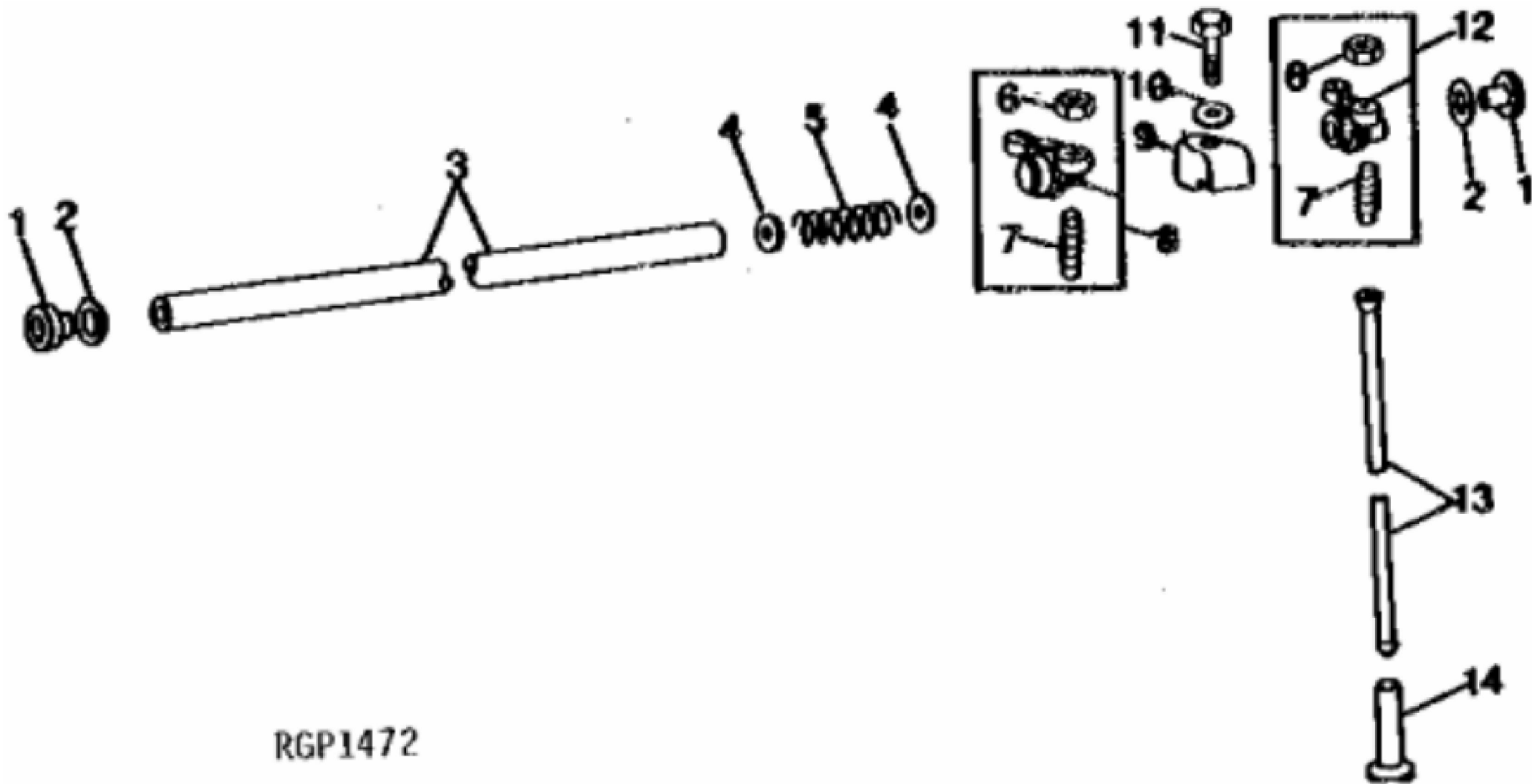
Hello dear friend!

Thank you very much for reading.

Enter the link into your browser.

The full manual is available for immediate download.

<https://www.ebooklibonline.com>



RGP1472

KEY	PART NO.	PART NAME	QTY	REMARKS	
1	R54565	PLUG	2		
2	R26081	WASHER	2		
3	R70826	ROCKER ARM SHAFT	1	(SUB FOR R54564 OR R60650)	
4	R71208	WASHER	10	0.768" X 1.024" X 0.036"	
5	R26079	SPRING	5		
6	14H1080	NUT	12	3/8"	
7	R27443	SET SCREW	12		
8	AR54905	ROCKER ARM	6		
9	R26748	CLAMP	6		
10	R26559	WASHER	6		
11	19H1740	CAP SCREW	6	7/16" X 1-3/4"	
12	AR54904	ROCKER ARM	6		
13	R85027	PUSH ROD	12	(SUB FOR AR40680)	
14	R52773	CAM FOLLOWER	12		



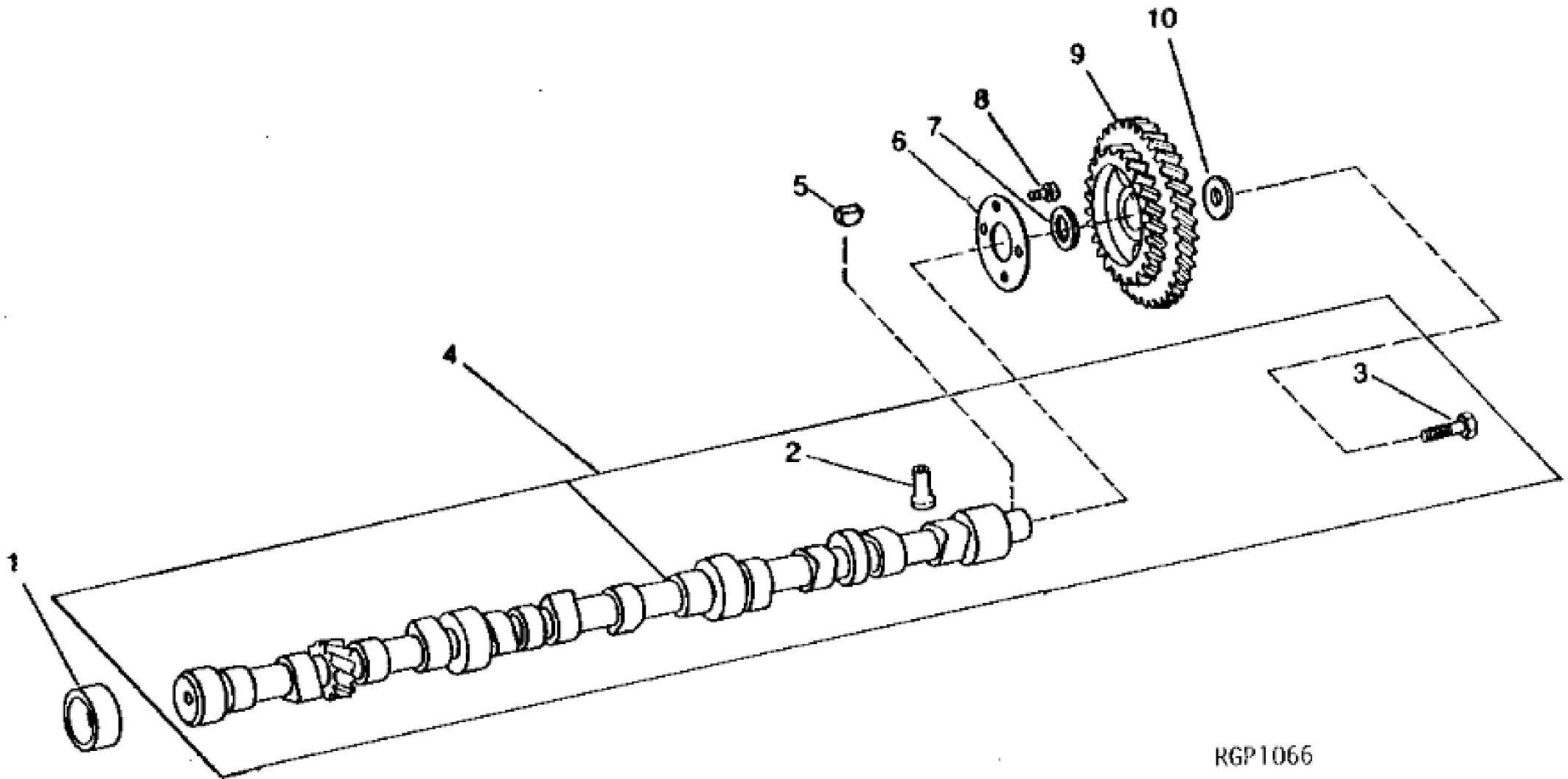
Suggest:

For more complete manuals. Please go to the home page.

<https://www.ebooklibonline.com>

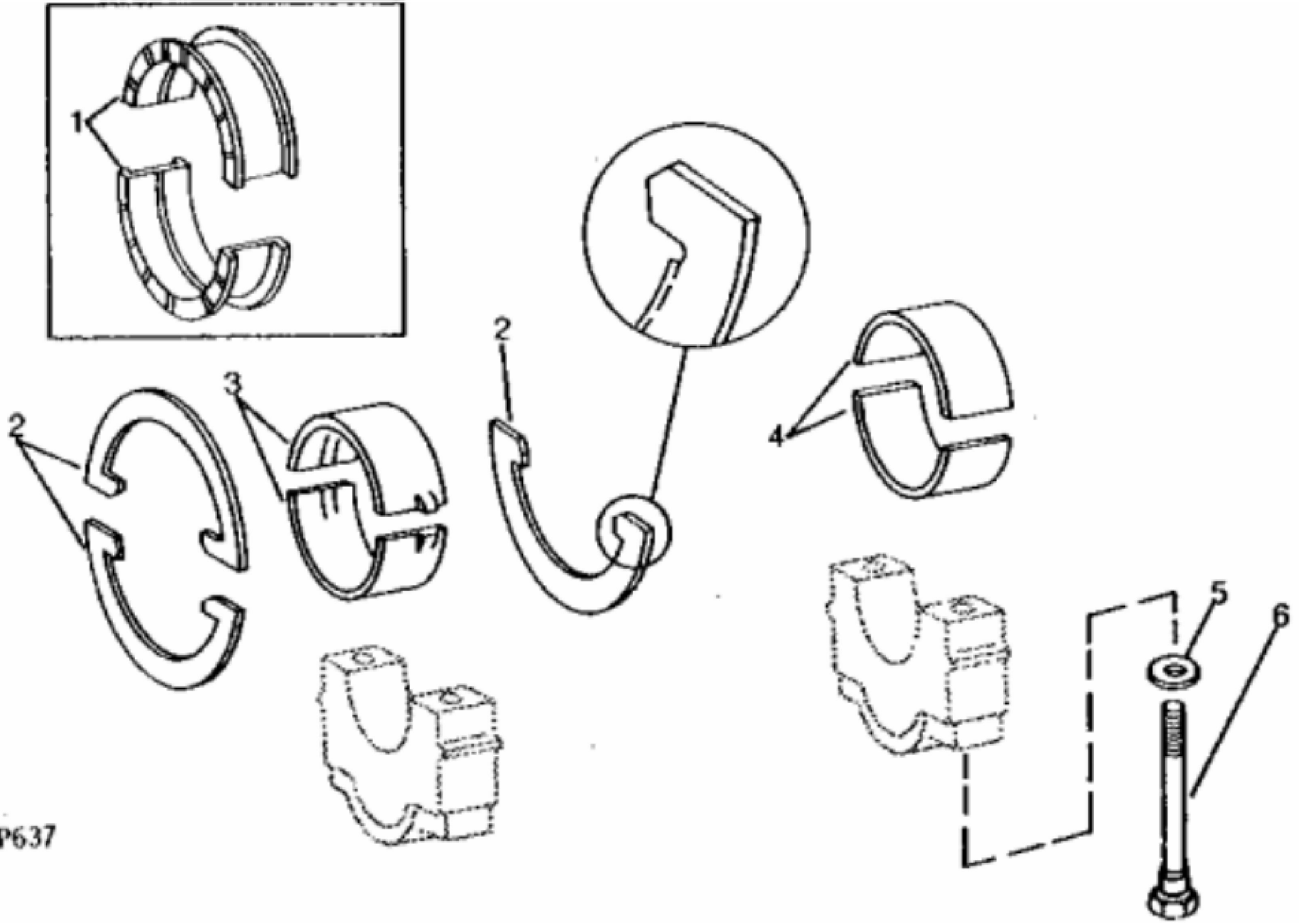
If the above button click is invalid. Please download this document first, and then click the above link to download the complete manual.

Thank you so much for reading



RGP1066

KEY	PART NO.	PART NAME	QTY	Engine Serial No.	REMARKS
1	R46903	BUSHING	4		
2	R52773	CAM FOLLOWER	12		
3	19H1721	CAP SCREW	1	____-427444	1/2" X 1-1/2"
3	19H2473	CAP SCREW	1	427445-528670	1/2" X 1-3/4", (SUB FOR 19H1777)
3	R93238	CAP SCREW	1		12.700 X 50.800 MM (1/2" X 2") (USE WITH R71599 OR R71531) (SUB FOR R79850, THIS APPLICATION)
4	AR100384	CAMSHAFT	1	____-427444	(MARKED R42352, R43677, R57289, R59420, R61150 OR R71531) (SUB AR100385, THIS APPLICATION) (SUB FOR AR63280, AR69270, AR71709 OR AR74144)
4	AR100385	KIT	1	427445-____	(MARKED R64086 OR R71529) (SUB FOR AR79610)
5	26H72	SHAFT KEY	1		1/8" X 5/8"
6	R42355	THRUST WASHER	1		
7	R42356	WASHER	1		
8	19H1813	CAP SCREW	4		5/16" X 5/8"
9	AR87700	GEAR	1		(SUB FOR AR55487, AR78345 OR AR88905) (MARKED R67381 OR R67382)
10	R35256	WASHER	1		



RGP637

<https://www.ebooklibonline.com>

Hello dear friend!

Thank you very much for reading.

Enter the link into your browser.

The full manual is available for immediate download.

<https://www.ebooklibonline.com>