

TX1091472

KEY	PART NO.	PART NAME	QTY	REMARKS	
27	0281510400	BOLT	3		
28	0281510600	BOLT	6		
29	1090700873	BOLT	3	SUB FOR 1090700872	
30	9081612320	DOWEL PIN	1		
31	1125310931	SHAFT	1		
32	1125310762	SHAFT	1		
33	1125310922	SHAFT	1		
34	1125350081	BUSHING	1		
35	1125350190	BUSHING	1		
36	1125233691	GEAR	1		
37	1125233340	IDLER GEAR	1	SUB FOR 1125233661	
38	1093301241	BUSHING	1		
39	8980811670	BUSHING	1		

**<https://www.ebooklibonline.com>**

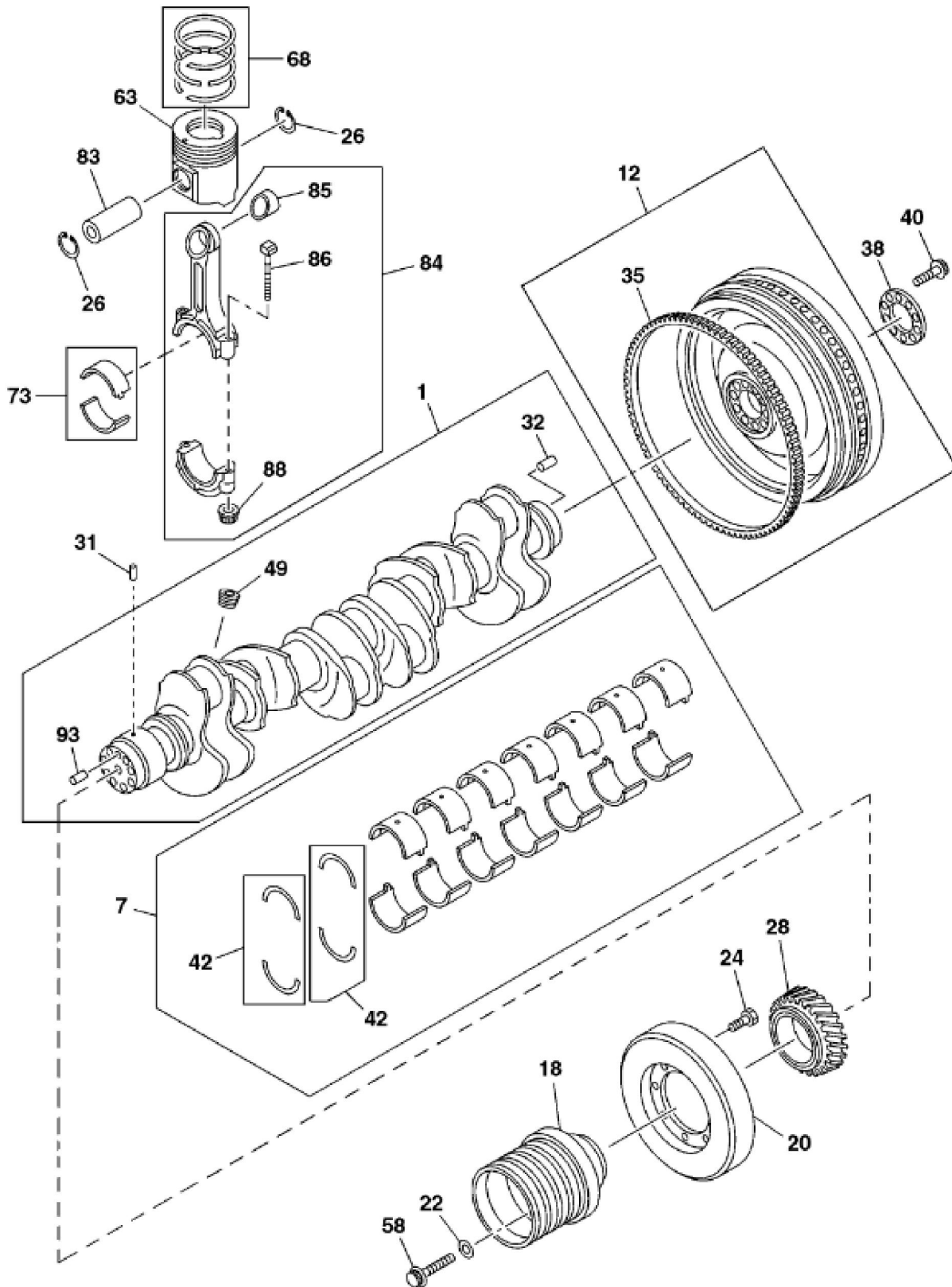
Hello dear friend!

Thank you very much for reading.

Enter the link into your browser.

The full manual is available for immediate download.

**<https://www.ebooklibonline.com>**



TX1091475

John Deere > Construction And Forestry > EXCAVATOR > 670GLC - EXCAVATOR > 670GLC Excavator (PIN: 1FF670GX\_ E670001- ) > 04 ENGINE > 0400 ENGINE > ST468502 - 0-15 CRANKSHAFT, PISTON AND FLYWHEEL

KEY	PART NO.	PART NAME	QTY	REMARKS
1	8981720140	CRANKSHAFT	1	SUB FOR 1123106751, 1123107152, AND 1123107151
7	1115100935	BEARING KIT	1	SUB FOR 1115100934
12	8981056480	FLYWHEEL	1	
18	1123714443	PULLEY	1	
20	8981471540	TORSIONAL DAMPER	1	
22	9098518620	LOCK PLATE	8	ID=18
24	0287612300	BOLT	8	M12X30
26	1095870820	SNAP RING	12	
28	1125210612	GEAR	1	Z=48, SUB FOR 1125210680
31	9098786260	DOWEL PIN	1	OD=5 L=6
32	9081508160	PIN FASTENER	1	OD=8 L=16
35	1123330131	RING GEAR	1	Z=139
38	1123360110	WASHER	1	
40	1090700171	BOLT	10	
42	8981518500	THRUST WASHER	2	SUB FOR 1115990090 OR 8676067100
49	1096050211	PLUG	6	
58	1090700171	BOLT	8	
63	8980288082	PISTON	6	SUB FOR 8980288080 OR 8980288081
68	1121211540	PISTON RING	6	SUB FOR 1121211541
73	1122710960	ROD	6	
83	1122110291	PIN FASTENER	6	
84	8981159480	CONNECTING ROD	6	
85	8981159590	BUSHING	6	
86	1122350363	BOLT	12	
88	1122390051	NUT	12	
93	9081608200	PIN FASTENER	1	OD=8 L=20



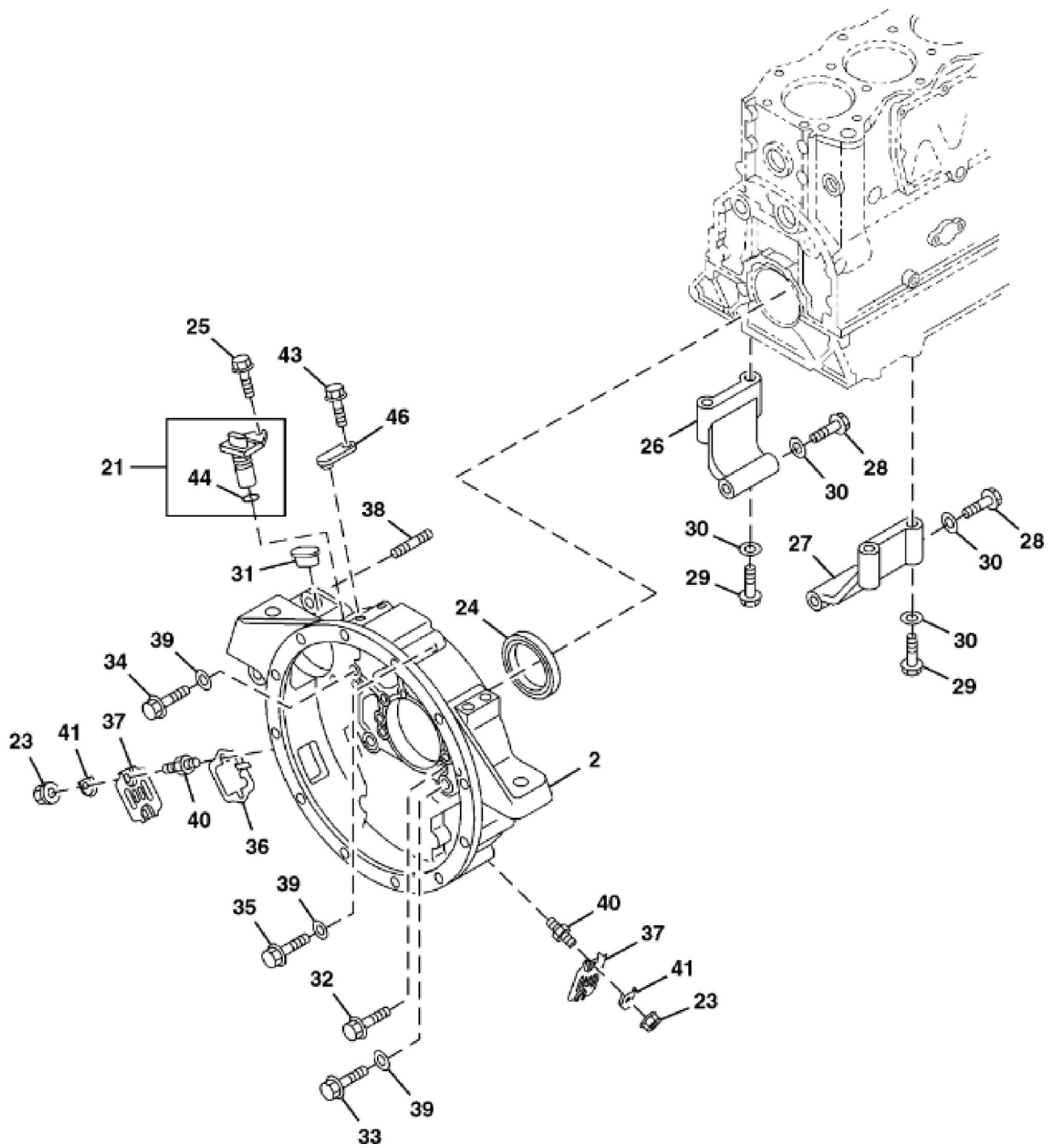
**Suggest:**

**For more complete manuals. Please go to the home page.**

**<https://www.ebooklibonline.com>**

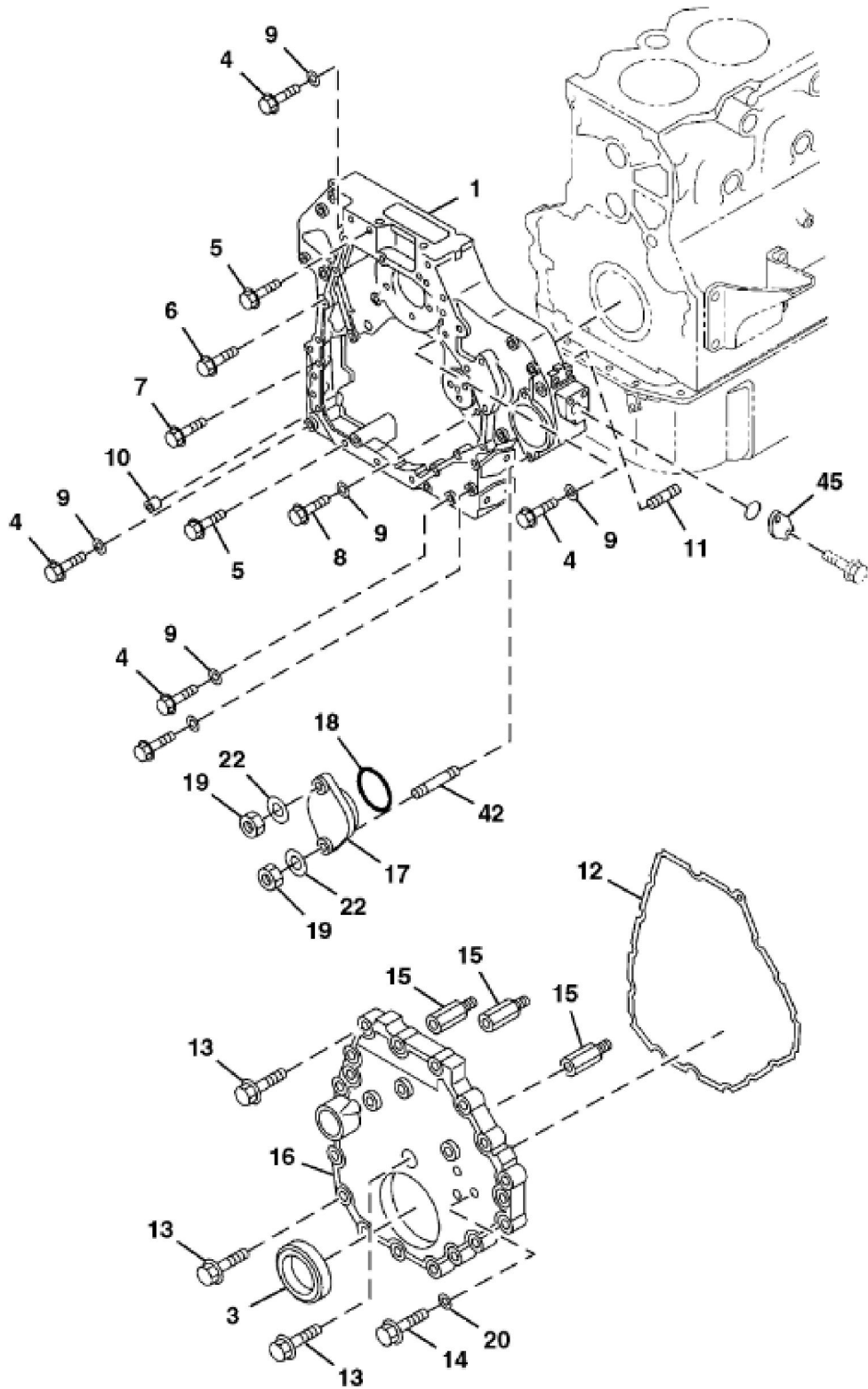
**If the above button click is invalid. Please download this document first, and then click the above link to download the complete manual.**

**Thank you so much for reading**



TX1091478

KEY	PART NO.	PART NAME	QTY	REMARKS	
2	8981056130	HOUSING	1		
21	8976069430	SENSOR	1		
23	0911801080	NUT	4	SUB FOR 8940120390	
24	8976173090	SEAL	1	Gray	
25	0286506160	BOLT	1		
26	1113492410	SUPPORT	1		
27	1113492400	SUPPORT	1		
28	1090200081	BOLT	2		
29	0169564000	BOLT	4		
30	0916145140	WASHER	6		
31	9113490490	COVER	1		
32	0280808350	BOLT	8	SUB FOR 0280508350	
33	0169564500	BOLT	2		
34	9923614450	BOLT	10		
35	0287914400	BOLT	1	SUB FOR 0287614400	
36	1113270451	POINTER	1		
37	1113491310	COVER	2		
38	0440114350	STUD	3		
39	0916145140	WASHER	12		
40	1093000581	STUD	4		
41	1113491270	WASHER	2		
43	0280508160	BOLT	1		
44	8973694040	GASKET	1		
46	1117491940	COVER	1		



TX1091477

**<https://www.ebooklibonline.com>**

Hello dear friend!

Thank you very much for reading.

Enter the link into your browser.

The full manual is available for immediate download.

**<https://www.ebooklibonline.com>**