

KEY	PART NO.	PART NAME	QTY	REMARKS
1	M141350	FILTER ELEMENT	1	ORDER MIA11393
2	M140222	GASKET	1	USE WITH AM132635, MIA10990 AND MIA10964
2	MIU11731	GASKET	1	(A); USE WITH MIA11393
3	M140224	COVER	1	USE WITH AM132635, MIA10990 AND MIA10964
3	MIU11732	COVER	1	(A); USE WITH MIA11393
4	19M7774	SCREW	4	M6 X 12, USE WITH AM132635, MIA10990 AND MIA10964
4	19M7775	SCREW	4	M6 X 16, (A); USE WITH MIA11393
5	19M8477	CAP SCREW	4	M6 X 40
6	M140218	CASE	2	
7	M140221	GASKET	2	
8	M138394	BOLT	2	NLA; ORDER MIU11322
8	MIU11322	BOLT	2	
9	M138389	SEAL	4	(SUB FOR M149280)
10	MIU11326	BOLT	8	(SUB FOR M138393)
11	M138395	STUD	4	NLA; ORDER MIU11736
11	MIU11736	BOLT	4	NLA; ORDER MIU12726
11	MIU12726	STUD	4	
12	M138388	PIN	6	
13	MIA10402	CYLINDER HEAD	1	CYLINDER NO. 1 (SUB FOR AM132473)
13	AM135296	CYLINDER HEAD	1	CYLINDER NO. 2 (SUB FOR AM132396)
14	M147908	ENGINE CYLINDER HEAD GASKET	2	
15	M140231	SNAP RING	2	
16	M149282	SEAL	1	(SUB FOR M138391)
17	M138392	SEAL	1	NLA; ORDER M151774
17	M151774	SEAL	1	
18	M150449	COVER	1	(SUB FOR M140230)
18	MIU11292	COVER	1	(USE WITH MIA10990 AND MIA10964)
19	M140220	GASKET	1	
20	21M7244	SCREW	1	M4 X 8
21	M140223	PLATE	1	
22	M140229	VALVE	1	
23	M149281	SEAL	1	(SUB FOR M138390)
23	M150948	SEAL	1	(USE WITH MIA10990 AND MIA10964)
24	M127431	ADAPTER FITTING	1	
25	AM132504	CRANKCASE	1	

<https://www.ebooklibonline.com>

Hello dear friend!

Thank you very much for reading.

Enter the link into your browser.

The full manual is available for immediate download.

<https://www.ebooklibonline.com>

KEY	PART NO.	PART NAME	QTY	REMARKS
25	AM133930	CRANKCASE	1	(USE WITH MIA10990)
25	MIA10962	CRANKCASE	1	(USE WITH MIA10964)
26	19H1906	CAP SCREW	3	5/16" X 1-1/2", (SUB FOR D14147)
26	03H1825	BOLT	1	5/16" X 1-1/2", RH REAR
27	24H1887	WASHER	3	11/32" X 1" X 0.134", USE WITH D14147; SUB FOR D24033
28	M63277	LOCK NUT	4	
29	M150948	SEAL	1	USE WITH MIA10964
30	AM132635	GASOLINE ENGINE	1	(Not Illustrated) MARKED FH680V-BS16; ORDER MIA10964
30	MIA10990	SHORT BLOCK ASSEMBLY	1	(Not Illustrated) SUB FOR MIA10991 OR AM132506
30	MIA10964	SHORT BLOCK ASSEMBLY	1	(Not Illustrated)
31	MIA11393	COVER KIT	1	(Not Illustrated) INCLUDES PART MARKED (A)



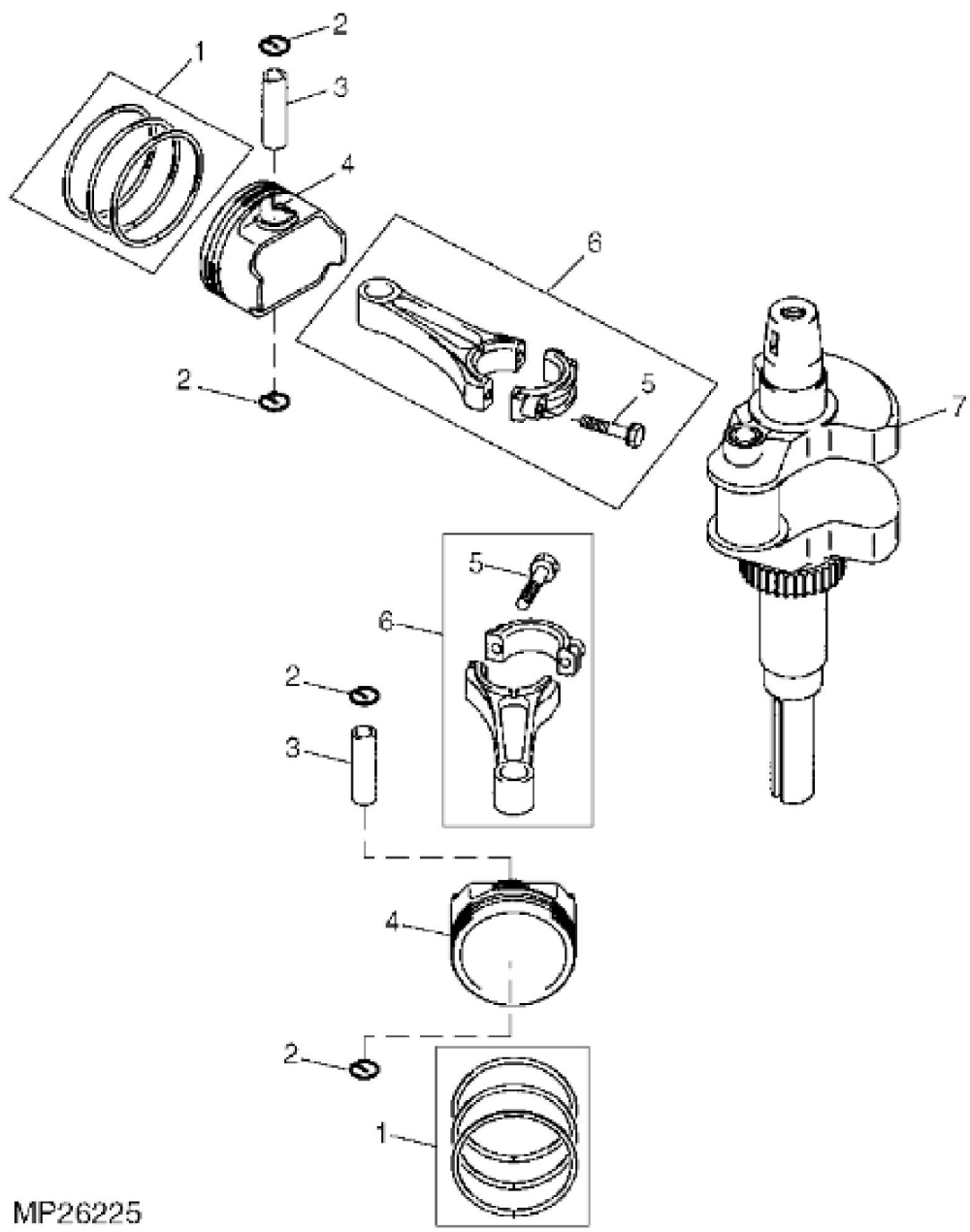
Suggest:

For more complete manuals. Please go to the home page.

<https://www.ebooklibonline.com>

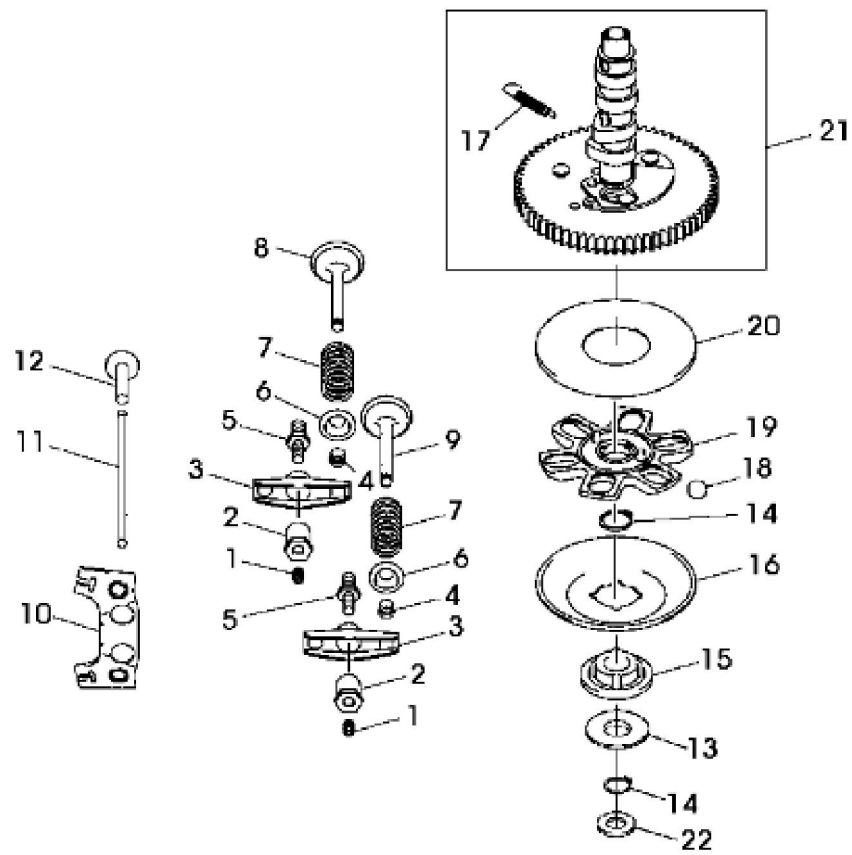
If the above button click is invalid. Please download this document first, and then click the above link to download the complete manual.

Thank you so much for reading



MP26225

KEY	PART NO.	PART NAME	QTY	REMARKS	
1	AM128738	PISTON RING KIT	2	STD	
1	AM132069	PISTON RING KIT	AR	0.50 MM (0.020") OS	
2	M138398	SNAP RING	4	(SUB FOR M140233)	
3	M138397	PISTON PIN	2		
4	M143319	PISTON	2	STD	
4	M146875	PISTON	AR	0.50 MM (0.020") OS	
5	M147310	BOLT	2	SUB FOR PT12040	
5	M146763	BOLT	4	(USE WITH MIA10990 AND MIA10964)	
6	AM128740	CONNECTING ROD	2		
6	MIA10804	CONNECTING ROD	2	(USE WITH MIA10990 AND MIA10964)	
7	AM132429	CRANKSHAFT	1	(SUB FOR AM132335, THIS APPLICATION)	
7	AM133965	CRANKSHAFT	1	(USE WITH MIA10990)	
7	AM133931	CRANKSHAFT	1	(INCLUDES (4) M146763) (USE WITH MIA10964)	



PU00581

<https://www.ebooklibonline.com>

Hello dear friend!

Thank you very much for reading.

Enter the link into your browser.

The full manual is available for immediate download.

<https://www.ebooklibonline.com>