

TP43804

John Deere > Construction And Forestry >CRAWLER LOADER >655B - CRAWLER LOADER >655B Crawler Loader >4 ENGINE 4 >CAMSHAFT AND VALVE ACTUATING MEANS 0402 >0402-4 - ROCKER ARM COVER [01G25]

KEY	PART NO.	PART NAME	QTY	REMARKS	
1	R75728	GASKET	1	(SUB FOR AR102260)	
2	AR103811	SCREW WITH WASHER	1	(SUB FOR AR100124)	
3	AR103811	SCREW WITH WASHER	11	(SUB FOR AR100124)	
4	AR65864	FILLER CAP	1		
5	AR100312	VALVE COVER	1		

<https://www.ebooklibonline.com>

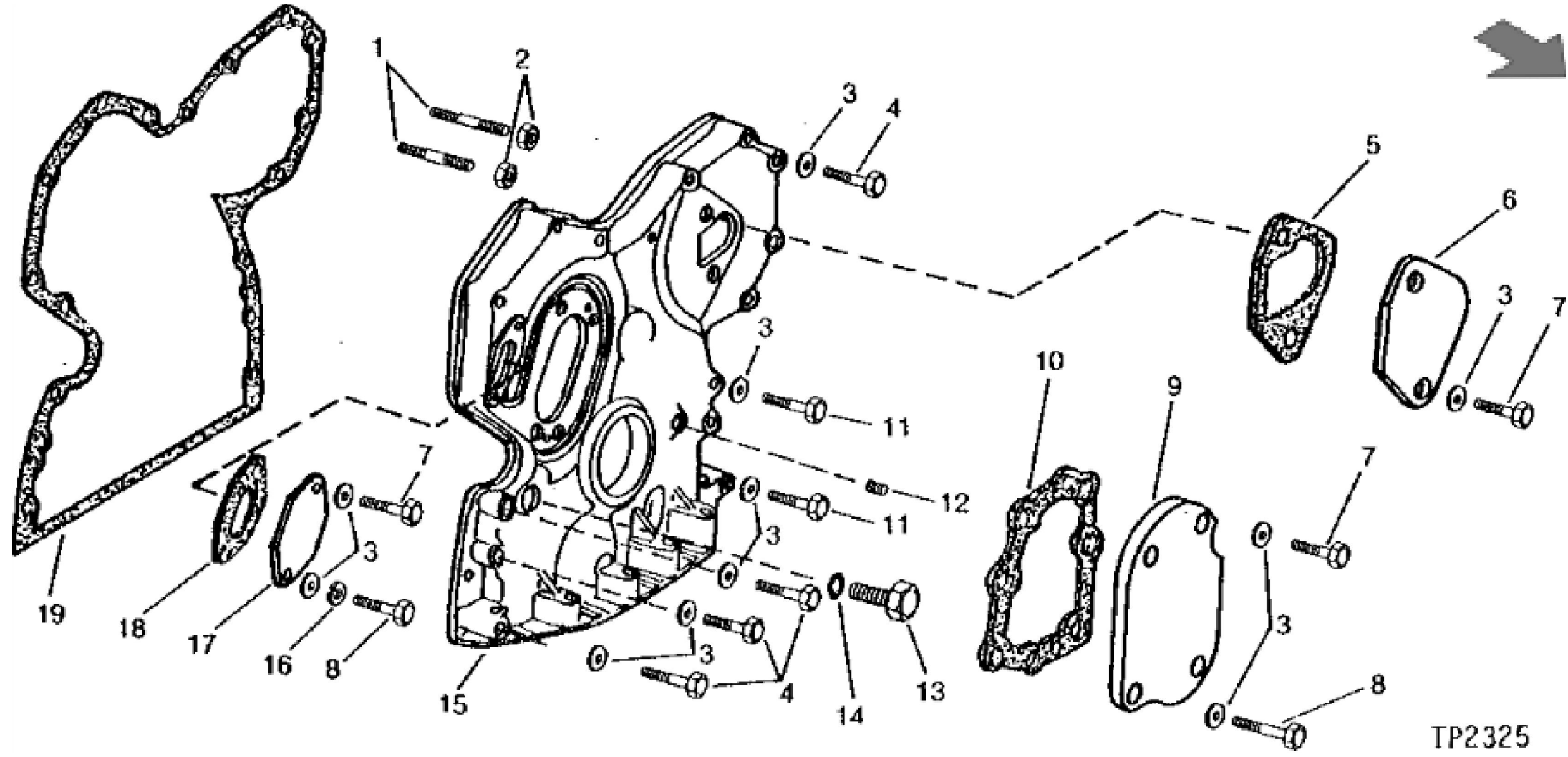
Hello dear friend!

Thank you very much for reading.

Enter the link into your browser.

The full manual is available for immediate download.

<https://www.ebooklibonline.com>



TP2325

John Deere > Construction And Forestry >CRAWLER LOADER >655B - CRAWLER LOADER >655B Crawler Loader >4 ENGINE 4 >CAMSHAFT AND VALVE ACTUATING MEANS 0402 >0402-5 - TIMING GEAR COVER (ENGINE SERIAL NO. -299999) [01H01]

KEY	PART NO.	PART NAME	QTY	REMARKS
1	R122226	STUD	2	(SUB FOR R122226)
2	N10215	LOCK NUT	2	3/8", (SUB FOR 14H812, THIS APPLICATION)
3	24M7106	WASHER	AR	10 X 18 X 2.500 MM
4	19H3408	SCREW	10	3/8" X 1-3/4"
5	R78366	GASKET	1	
6	R126041	COVER	1	(SUB FOR T20362)
7	R122618	SCREW	2	
7	19H1648	CAP SCREW	1	3/8" X 3/4", OIL INLET
7	R124277	CAP SCREW	3	(USE WITH T23260 OR (2) R126041) (SUB FOR R122618, THIS APPLICATION)
8	19H3727	SCREW	2	3/8" X 2"
9	T20272	COVER	1	
10	T20273	GASKET	1	
11	19H3733	SCREW	2	3/8" X 2-1/2"
12	15H275	PIPE PLUG	1	1/4"
13	T27657	FITTING PLUG	1	
14	A4827R	WASHER	1	
15	AR58196	COVER	1	(MARKED R52880) (ALSO ORDER T20272, T20273, (3) 19H2284, 19H1726, (4) 24H1304 AND 15H275)
16	12H304	LOCK WASHER	1	3/8"
17	T23260	COVER	1	
18	T20336	GASKET	1	
19	T20155	GASKET	1	



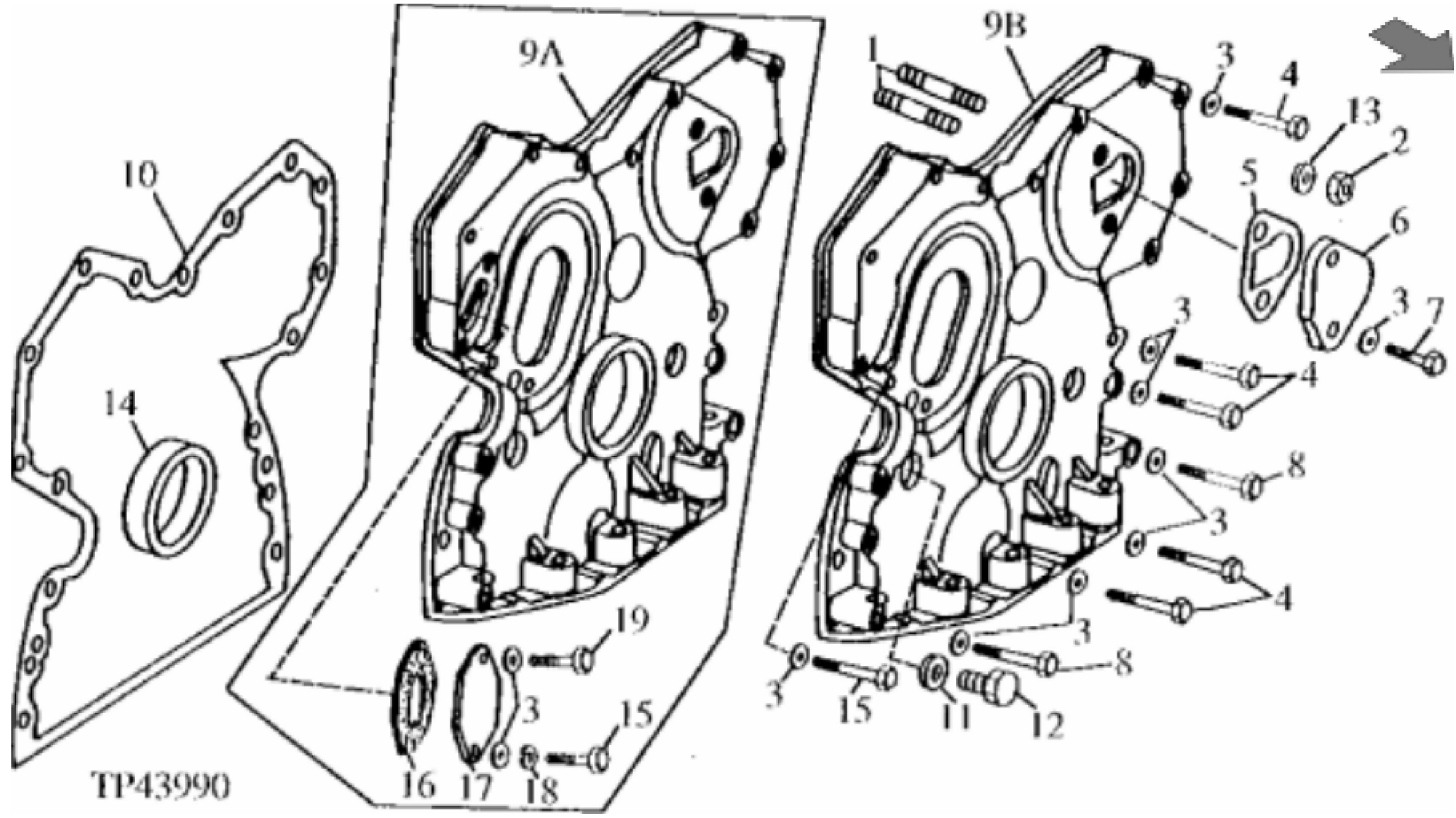
Suggest:

For more complete manuals. Please go to the home page.

<https://www.ebooklibonline.com>

If the above button click is invalid. Please download this document first, and then click the above link to download the complete manual.

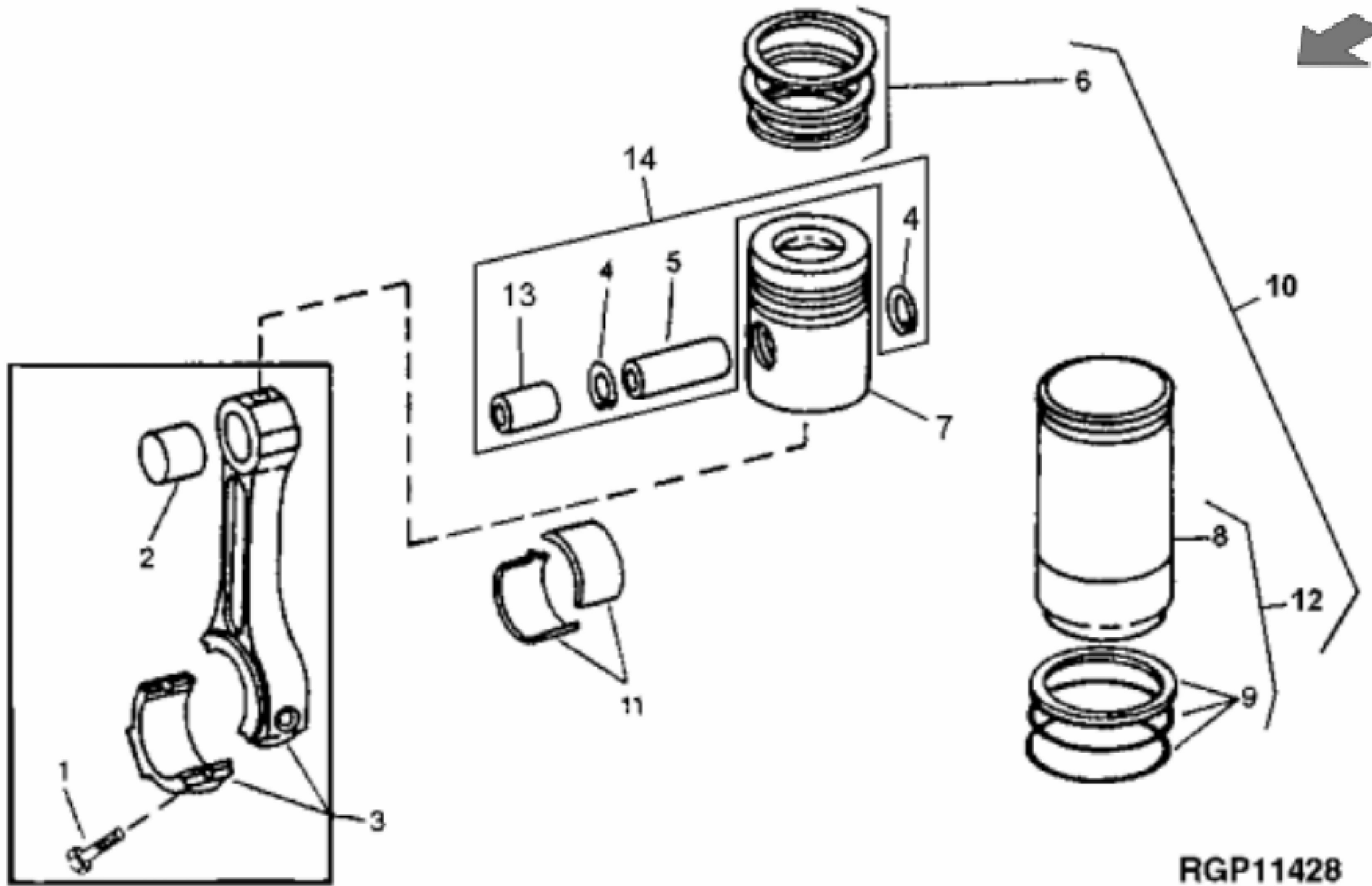
Thank you so much for reading



TP43990

John Deere > Construction And Forestry >CRAWLER LOADER >655B - CRAWLER LOADER >655B Crawler Loader >4 ENGINE 4 >CAMSHAFT AND VALVE ACTUATING MEANS 0402 >0402-6 - TIMING GEAR COVER (ENGINE SERIAL NO. 300000-) [01H02]

KEY	PART NO.	PART NAME	QTY	Engine Serial No.	REMARKS
1	R122226	STUD	2		(SUB FOR R122226)
2	N10215	LOCK NUT	2		3/8", (SUB FOR 14H812, THIS APPLICATION)
3	24M7106	WASHER	AR		10 X 18 X 2.500 MM
4	19H3408	SCREW	4		3/8" X 1-3/4"
4	19H3693	SCREW	5		3/8" X 1-1/4", (SUB FOR 19H2545)
4	19H3691	SCREW	1		3/8" X 1-7/8"
5	R125066	GASKET	1		(SUB FOR R78366 OR R97773)
6	R126041	COVER	1		(SUB FOR T20362)
7	R124277	CAP SCREW	2		(SUB FOR R122618, THIS APPLICATION)
8	19H3733	SCREW	2		3/8" X 2-1/2"
9A	RE39252	COVER	1	____-426683	WITH INSERTS, (SUB FOR RE27895) (ALSO ORDER (3) 28H2497)
9B	RE56443	COVER	1	426684-____	
10	R121314	GASKET	1		(SUB FOR T20155 OR R97454 OR R119269)
11	A4827R	WASHER	1		
12	T27657	FITTING PLUG	1		
13	12H304	LOCK WASHER	AR		3/8"
14	RE44574	SEAL	1		(SUB FOR RE24959)
15	19H1819	CAP SCREW	1	426684-____	3/8" X 2-1/8"
16	T20336	GASKET	1	____-426683	
17	T23260	COVER	1	____-426683	
18	12H304	LOCK WASHER	1	____-426683	
19	19H2284	CAP SCREW	1	____-426683	



RGP11428

<https://www.ebooklibonline.com>

Hello dear friend!

Thank you very much for reading.

Enter the link into your browser.

The full manual is available for immediate download.

<https://www.ebooklibonline.com>