

PU20146

KEY	PART NO.	PART NAME	QTY	REMARKS	
1	MIA12252	GASOLINE ENGINE	1	Gas, MARKED FX730V-AS2	
2	21H1316	SCREW	2	0.190" X 1/2"	
3	24M7178	WASHER	4	10.500 X 30 X 2.500 mm	
4	19H3693	SCREW	4	3/8" X 1-1/4"	

<https://www.ebooklibonline.com>

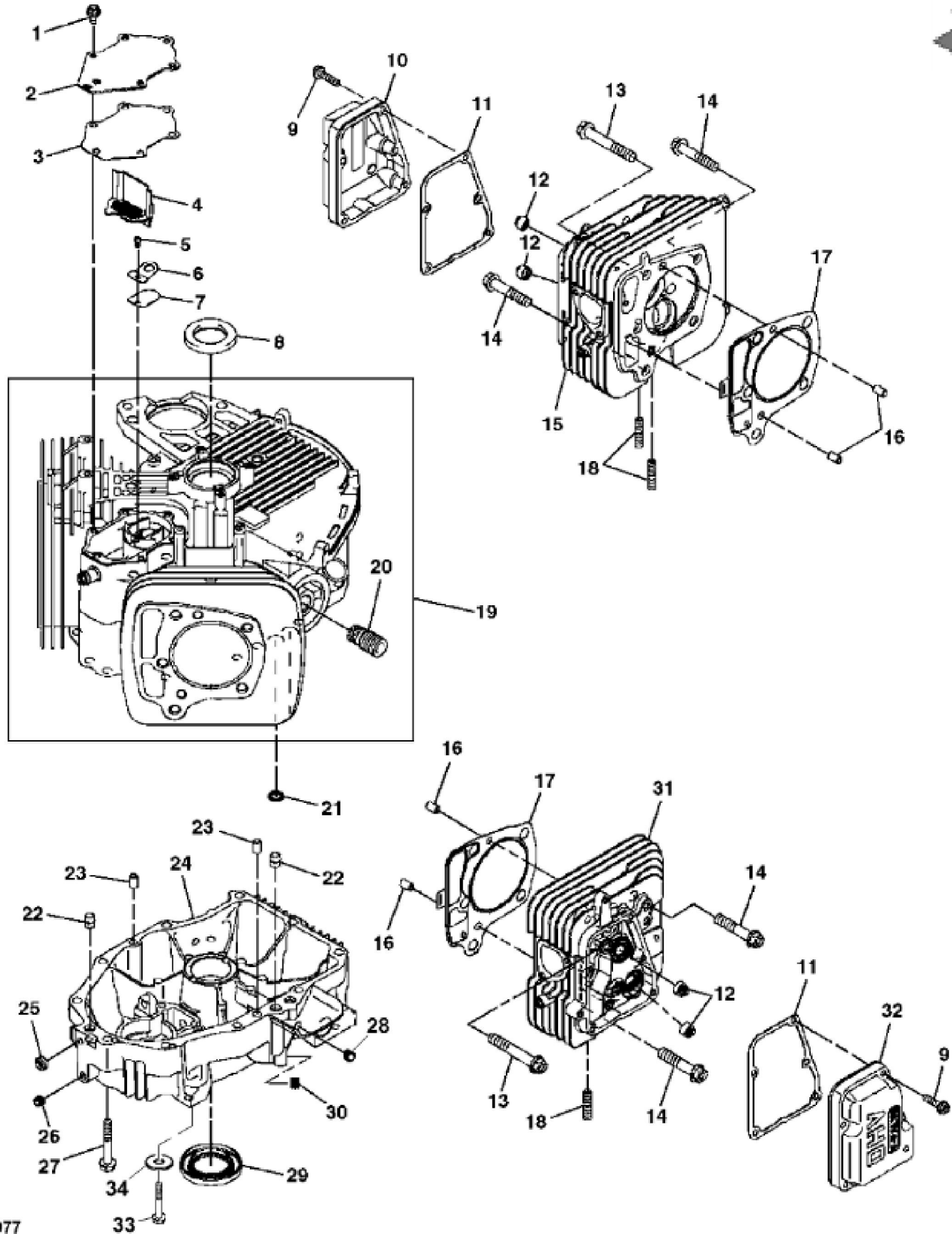
Hello dear friend!

Thank you very much for reading.

Enter the link into your browser.

The full manual is available for immediate download.

<https://www.ebooklibonline.com>



PU20077

KEY	PART NO.	PART NAME	QTY	REMARKS
1	MIU11325	BOLT	6	
2	MIU12397	COVER	1	Breather
3	MIU12395	GASKET	1	
4	MIU12398	PIPE	1	Breather
5	21M7244	SCREW	1	M4 X 8
6	MIU13821	PLATE	1	Breather
7	MIU11769	VALVE	1	Breather
8	M149281	SEAL	1	
9	19M7863	SCREW	10	M6 X 25
10	MIU13778	CASE	1	Rocker
11	MIU12394	GASKET	2	
12	M138389	SEAL	4	
13	MIU12209	BOLT	6	
14	MIU11776	BOLT	4	
15	MIU12390	CYLINDER HEAD	1	No. 1
16	M74252	PIN	6	
17	MIU12396	GASKET	2	
18	MIU12726	STUD	4	
19	MIA12337	CRANKCASE	1	
20	MIU13767	ADAPTER FITTING	1	
21	M76104	O-RING	2	
22	MIU14507	PIPE	1	SUB FOR MIU11770
23	M74252	PIN	6	
24	MIU13011	COVER	1	ORDER MIA12754
24	MIA12754	CRANKCASE	1	INCLUDES (1)MIU12401, (2) MIU14001 and (1)M123645;Kit
25	M151774	SEAL	1	
26	MIU12401	PLUG	1	
27	19M8319	SCREW	10	M8 X 50
28	M123645	DRAIN PLUG	1	
29	MIU12400	SEAL	1	
30	MIU14001	PLUG	2	
31	MIU12391	CYLINDER HEAD	1	No. 2
32	MIU14499	COVER	1	SUB FOR MIU13779; Rocker
33	19H3693	SCREW	4	3/8" X 1-1/4", SUB FOR TCU39256;Mounting
34	24M7178	WASHER	4	10.500 X 30 X 2.500 mm



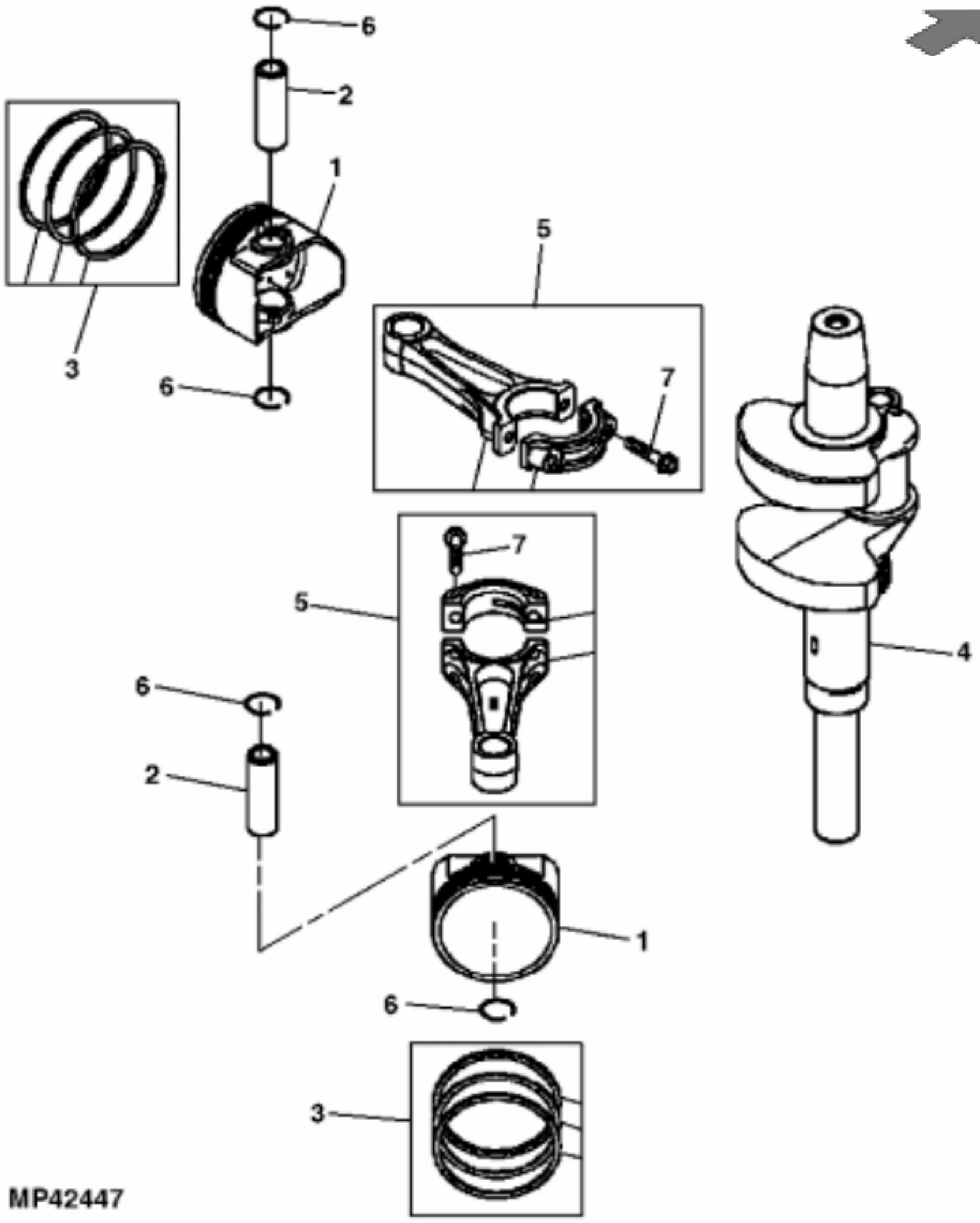
Suggest:

For more complete manuals. Please go to the home page.

<https://www.ebooklibonline.com>

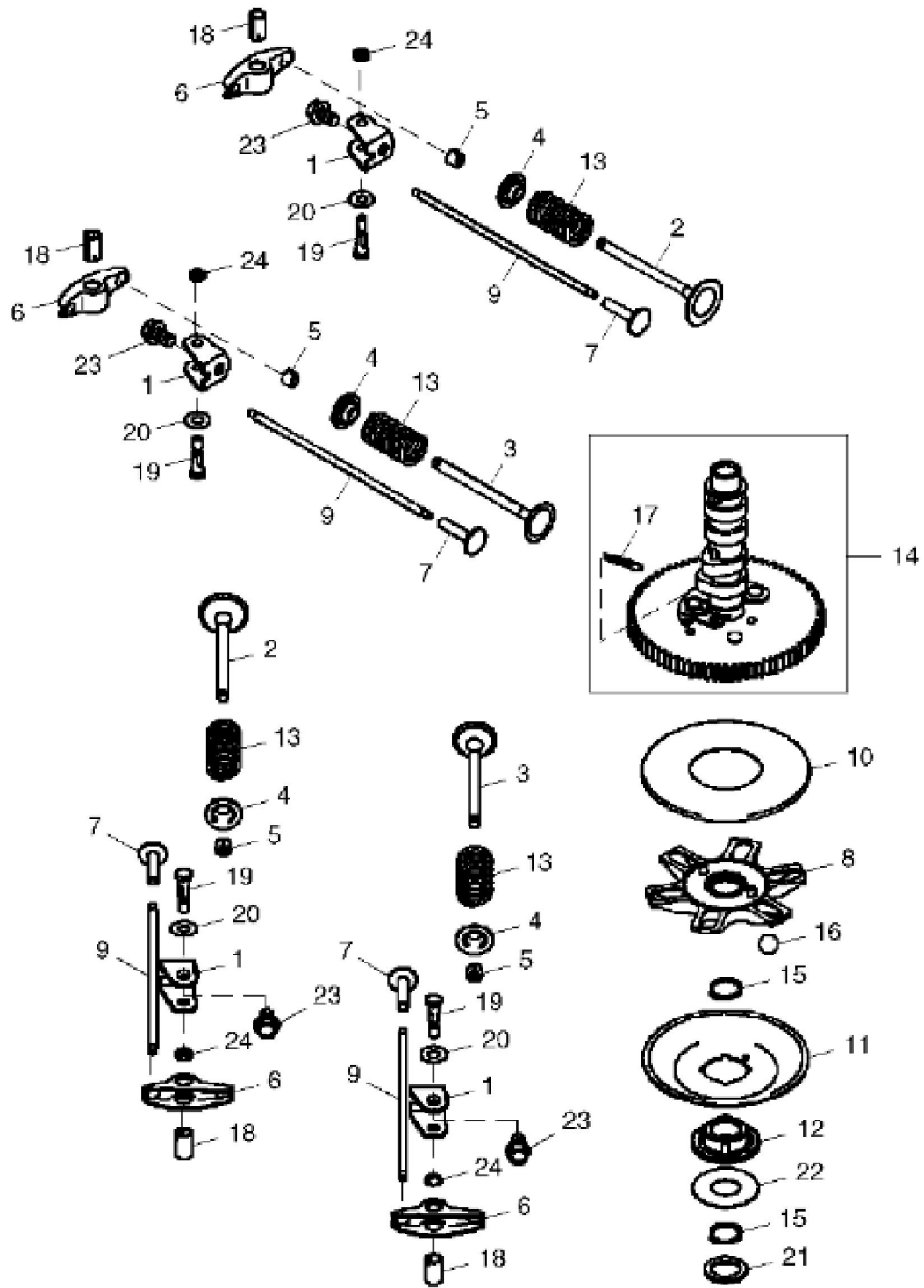
If the above button click is invalid. Please download this document first, and then click the above link to download the complete manual.

Thank you so much for reading



MP42447

KEY	PART NO.	PART NAME	QTY	REMARKS	
1	MIU12403	PISTON	2	STD	
1	MIU12407	PISTON	2		
2	MIU13270	PISTON PIN	2		
3	MIU12405	PISTON RING KIT	2	STD	
3	MIU12406	PISTON RING KIT	1		
4	MIU12492	CRANKSHAFT	1		
5	MIA11615	CONNECTING ROD	2		
6	MIU12408	SNAP RING	4		
7	M146763	BOLT	4		



MP64526

<https://www.ebooklibonline.com>

Hello dear friend!

Thank you very much for reading.

Enter the link into your browser.

The full manual is available for immediate download.

<https://www.ebooklibonline.com>