

PU20040

KEY	PART NO.	PART NAME	QTY	Serial No.	REMARKS	
1	MIA12252	GASOLINE ENGINE	1		Gas, MARKED FX730V-AS2	
2	19H3693	SCREW	4		3/8" X 1-1/4", SUB FOR TCU39256	
3	21H1316	SCREW	2	____-045000	0.190" X 1/2"	
3	TCU24263	CAP SCREW	1	045001-____		
4	24M7178	WASHER	4		10.500 X 30 X 2.500 mm	

**<https://www.ebooklibonline.com>**

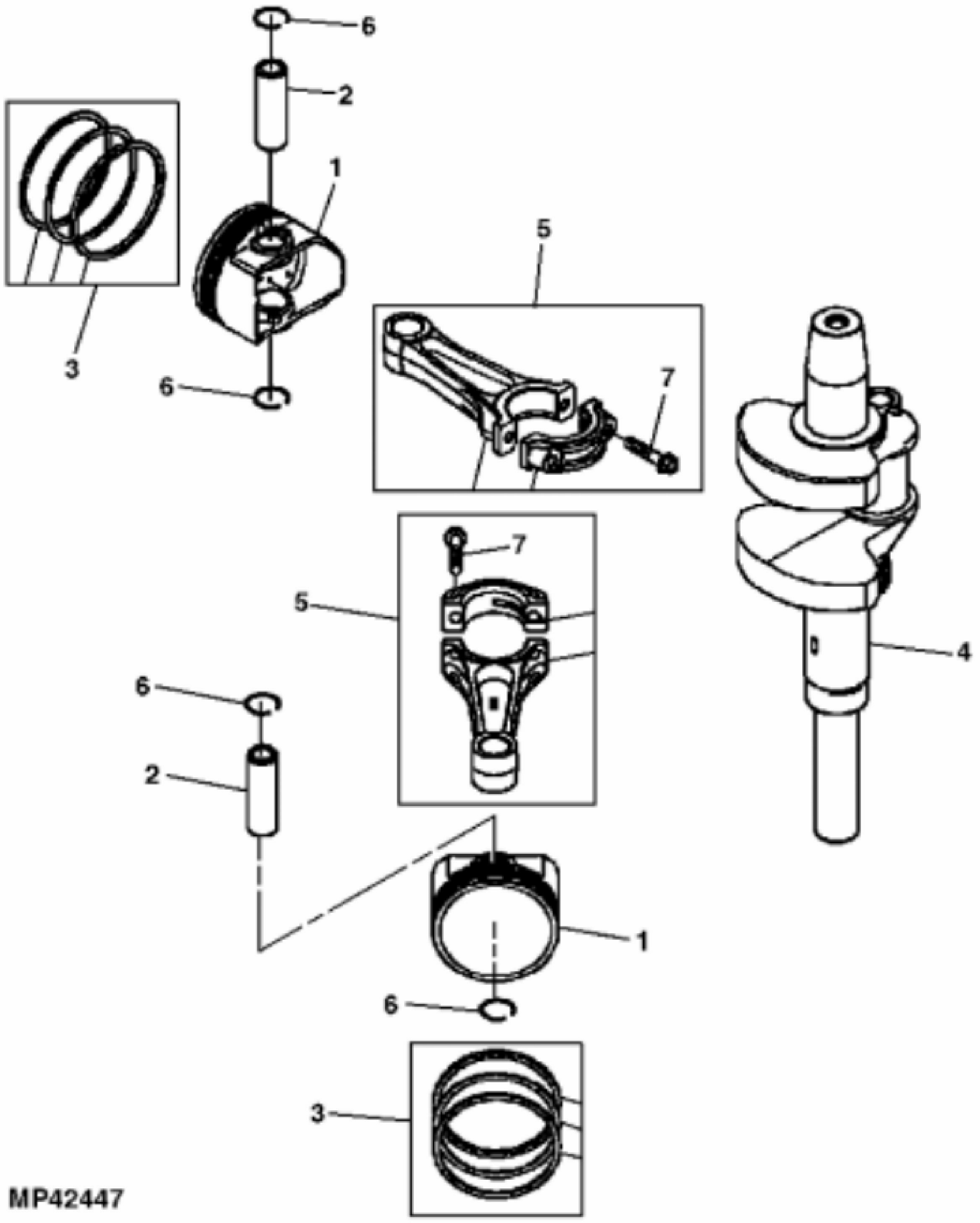
Hello dear friend!

Thank you very much for reading.

Enter the link into your browser.

The full manual is available for immediate download.

**<https://www.ebooklibonline.com>**



MP42447

KEY	PART NO.	PART NAME	QTY	REMARKS	
1	MIU12403	PISTON	2	Standard	
1	MIU12407	PISTON	2	0.50 mm (.010 Inch) OS	
2	MIU13270	PISTON PIN	2		
3	MIU12405	PISTON RING KIT	2	Standard	
3	MIU12406	PISTON RING KIT	2	0.50 mm (.010 Inch) OS	
4	MIU12492	CRANKSHAFT	1		
5	MIA11615	CONNECTING ROD	2		
6	MIU12408	SNAP RING	4		
7	M146763	BOLT	2		



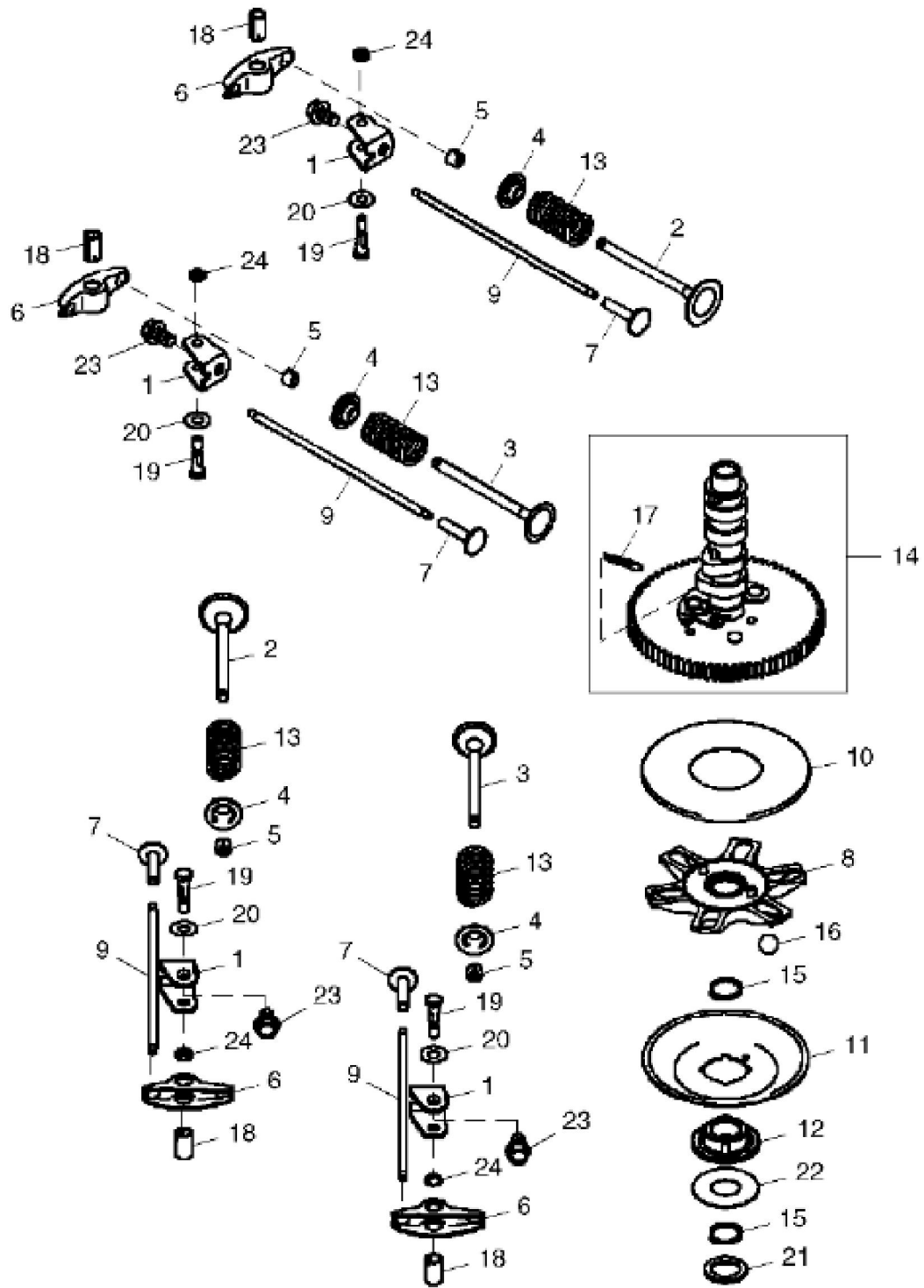
**Suggest:**

**For more complete manuals. Please go to the home page.**

**<https://www.ebooklibonline.com>**

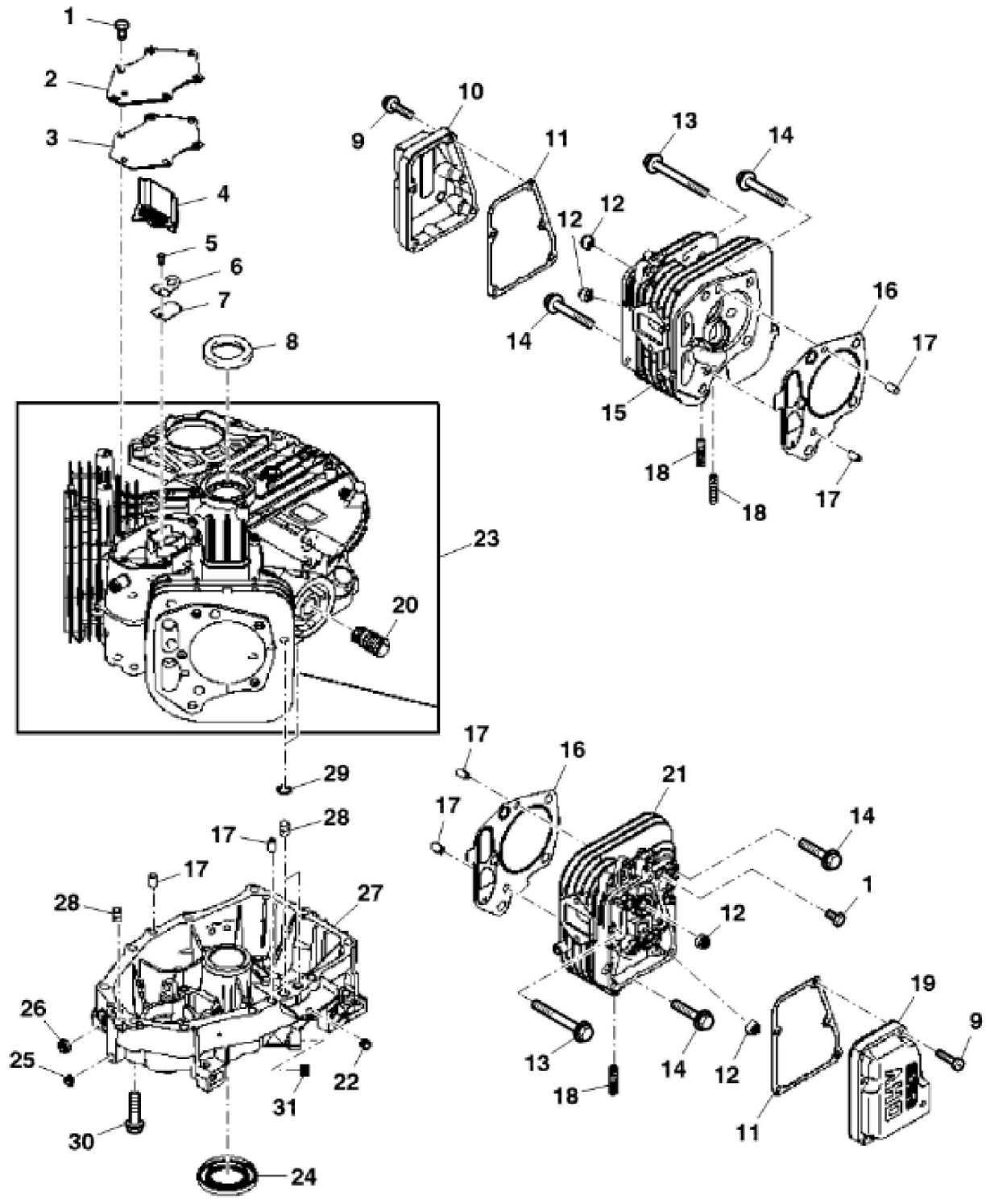
**If the above button click is invalid. Please download this document first, and then click the above link to download the complete manual.**

**Thank you so much for reading**



MP64526

KEY	PART NO.	PART NAME	QTY	REMARKS
1	MIU11783	BRACKET	4	
2	MIU14406	INTAKE VALVE	2	SUB FOR MIU14003
3	MIU14407	EXHAUST VALVE	2	SUB FOR MIU13995
4	M138401	RETAINER	4	Valve Spring
5	M118845	RETAINER	8	
6	MIU14434	ROCKER ARM	4	SUB FOR M147314
7	M138403	TAPPET	4	
8	MIU12411	GUIDE	1	
9	MIU14485	PUSH ROD	4	SUB FOR MIU12412
10	M140240	PLATE	1	
11	M146880	PLATE	1	Governor
12	MIU13044	SLEEVE	1	
13	M140241	SPRING	4	Engine Valve
14	MIA11616	CAMSHAFT	1	
15	MIU14000	SNAP RING	3	
16	MIU10971	BALL BEARING	6	
17	M138413	EXTENSION SPRING	1	
18	MIU13989	SHIFT COLLAR	4	
19	MIU11795	BOLT	4	M6 X 29.5
20	M147320	WASHER	4	8.1 X 18 X 0.5
21	MIU12413	WASHER	1	16.3 X 30 X 2.28
22	M146882	WASHER	1	16 X 42 X 0.91
23	MIU11744	BOLT	4	M8 X 14, Flanged
24	14M7272	NUT	4	M6



**<https://www.ebooklibonline.com>**

Hello dear friend!

Thank you very much for reading.

Enter the link into your browser.

The full manual is available for immediate download.

**<https://www.ebooklibonline.com>**