

PU17481

KEY	PART NO.	PART NAME	QTY	REMARKS	
1	MIA12629	GASOLINE ENGINE	1	Gas, MARKED FX691V-ES16R	
2	TCU35711	LABEL	1	Engine FX691V	

**<https://www.ebooklibonline.com>**

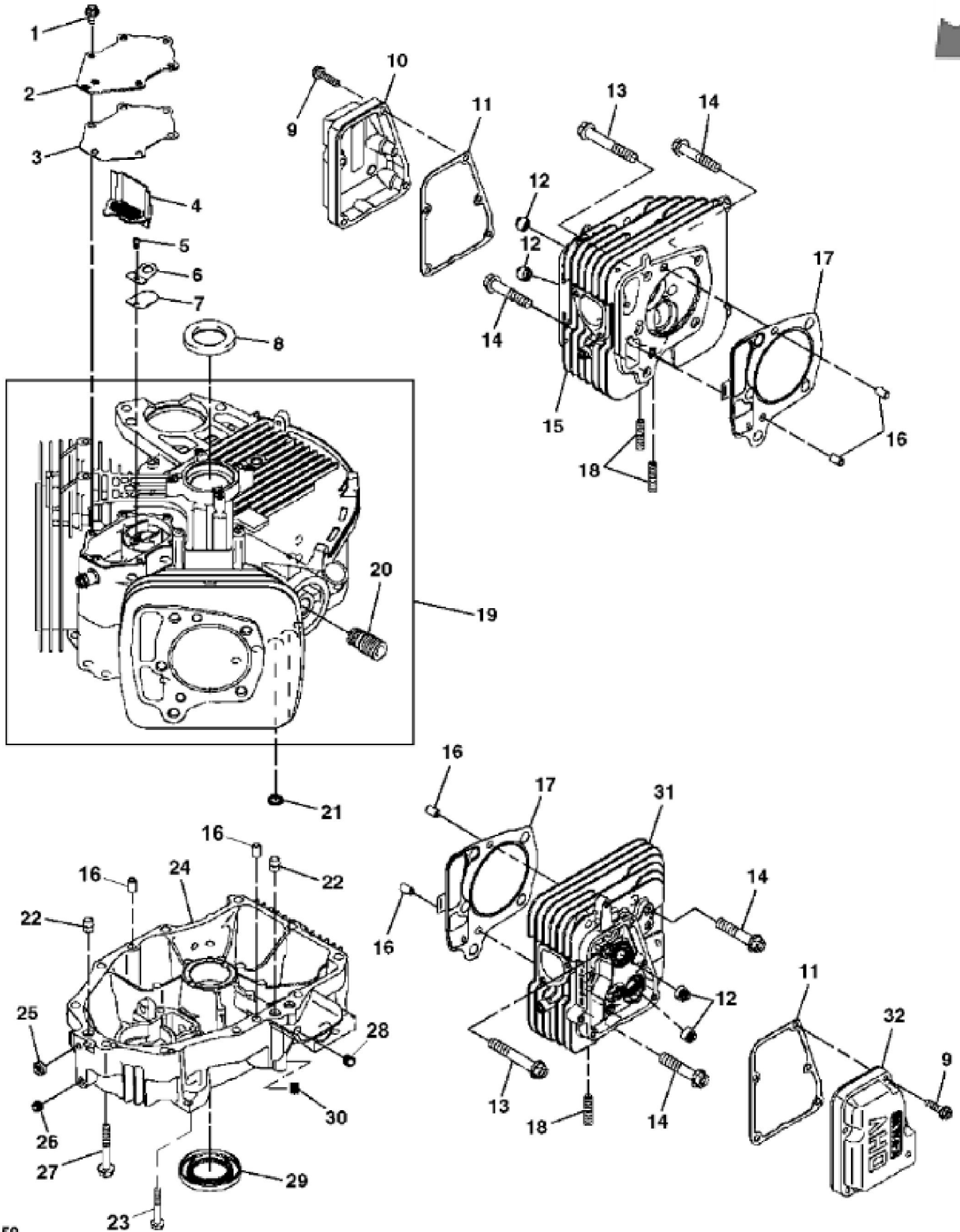
Hello dear friend!

Thank you very much for reading.

Enter the link into your browser.

The full manual is available for immediate download.

**<https://www.ebooklibonline.com>**



PU14459

KEY	PART NO.	PART NAME	QTY	REMARKS
1	MIU11325	BOLT	6	
2	MIU12397	COVER	1	Breather
3	MIU12395	GASKET	1	
4	MIU12398	PIPE	1	Breather
5	21M7244	SCREW	1	M4 X 8
6	MIU13821	PLATE	1	Breather
7	MIU11769	VALVE	1	Breather
8	M149281	SEAL	1	
9	19M7863	SCREW	10	M6 X 25
10	MIU13778	CASE	1	Rocker
11	MIU12394	GASKET	2	
12	M138389	SEAL	4	
13	MIU12209	BOLT	6	
14	MIU11776	BOLT	4	M10 X 50
15	MIU12390	CYLINDER HEAD	1	No. 1
16	M74252	PIN	6	
17	MIU12396	GASKET	2	
18	MIU11949	BOLT	4	
19	MIA12337	CRANKCASE	1	
20	MIU13767	ADAPTER FITTING	1	
21	M76104	O-RING	2	
22	MIU14507	PIPE	3	SUB FORMIU11770
23	19H3693	SCREW	4	3/8" X 1-1/4", SUB FOR TCU39256; Engine mounting
24	MIA12754	CRANKCASE	1	INCLUDES (1) MIU12401, (1) M123645 and (2) MIU14001; Crankcase Cover Kit
25	M151774	SEAL	1	
26	MIU12401	PLUG	1	
27	19M8319	SCREW	10	M8 X 50
28	M123645	DRAIN PLUG	1	
29	MIU12400	SEAL	1	
30	MIU14001	PLUG	2	
31	MIU12391	CYLINDER HEAD	1	No. 2
32	MIU14499	COVER	1	SUB FOR MIU13779; Rocker



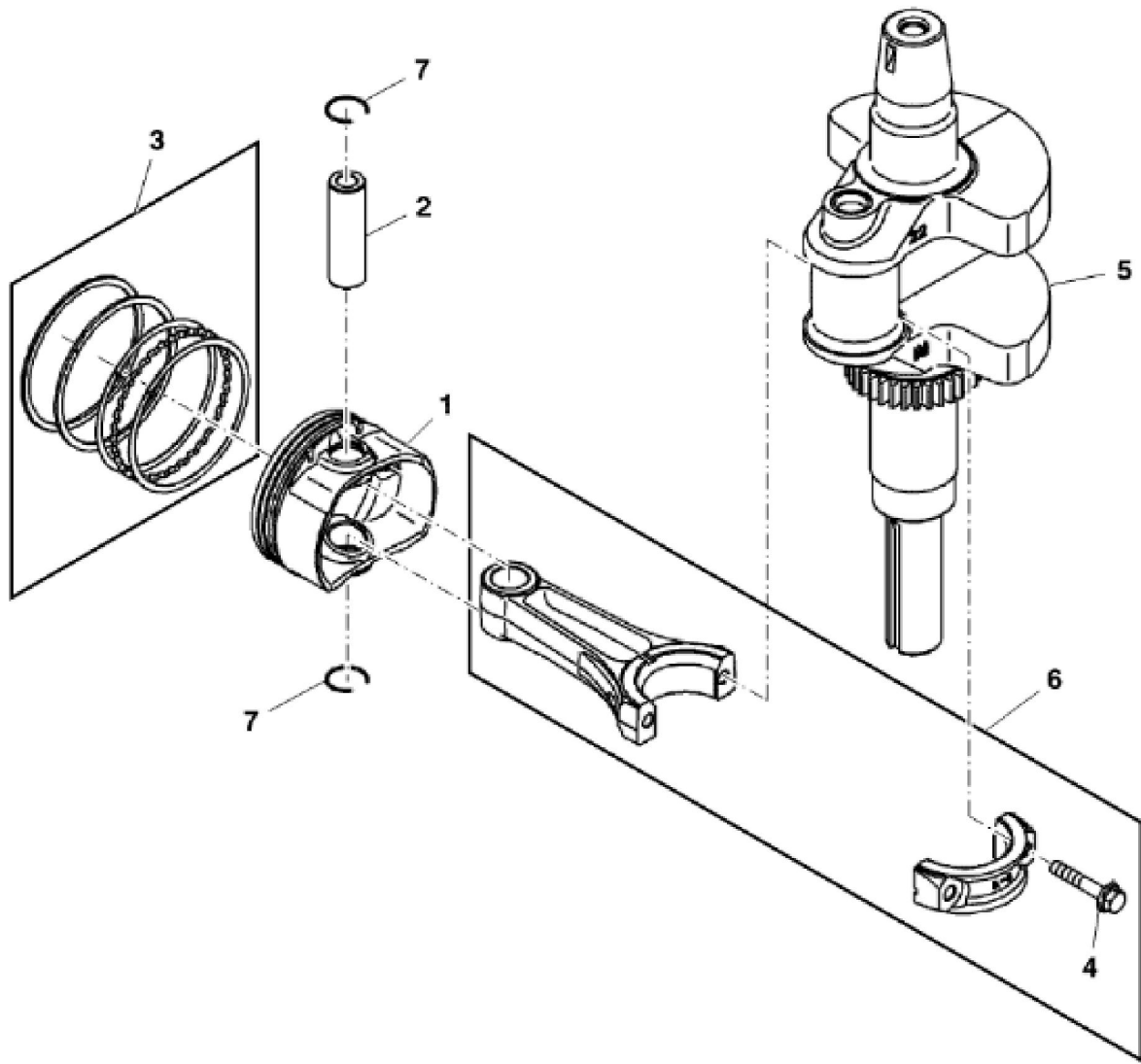
**Suggest:**

**For more complete manuals. Please go to the home page.**

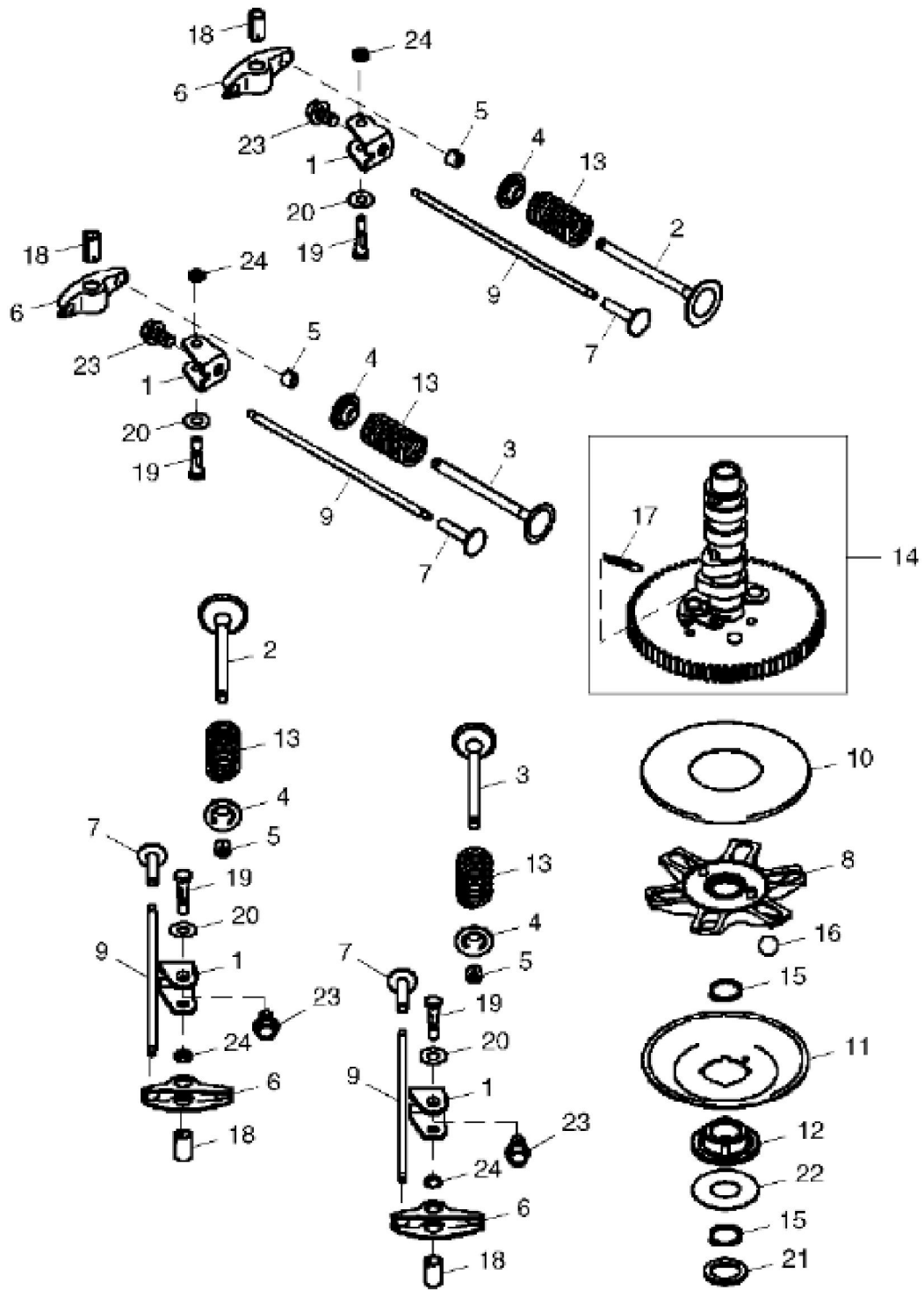
**<https://www.ebooklibonline.com>**

**If the above button click is invalid. Please download this document first, and then click the above link to download the complete manual.**

**Thank you so much for reading**



KEY	PART NO.	PART NAME	QTY	REMARKS	
1	MIU12403	PISTON	2		
1	MIU12407	PISTON RING	AR		
2	MIU13270	PISTON PIN	2		
3	MIU12405	PISTON RING	2		
3	MIU12406	PISTON RING	AR		
4	M146763	BOLT	4	Connecting Rod	
5	MIU12492	CRANKSHAFT	1		
6	MIA11615	CONNECTING ROD	2		
7	MIU12408	SNAP RING	4		



MP64526

**<https://www.ebooklibonline.com>**

Hello dear friend!

Thank you very much for reading.

Enter the link into your browser.

The full manual is available for immediate download.

**<https://www.ebooklibonline.com>**