

| KEY | PART NO. | PART NAME | QTY | REMARKS |
|-----|----------|--------------------|-----|--------------------------------|
| 1 | | CYLINDER BLOCK | 1 | MARKED R534172, ORDER RE545935 |
| 2 | RE539115 | FITTING | 2 | |
| 3 | 51M7043 | O-RING | 1 | 15.300 X 2.200 mm |
| 4 | R535005 | CAP SCREW | 10 | |
| 5 | 15H695 | PIPE PLUG | 1 | 3/8" |
| 6 | R97185 | O-RING | 1 | |
| 7 | R115299 | BUSHING | 6 | |
| 8 | R111137 | SPRING | 1 | |
| 9 | RE505501 | BLEED VALVE | 1 | |
| 10 | T18891 | PLUG | 2 | |
| 11 | R116466 | PLUG | 1 | |
| 12 | R119874 | BUSHING | 1 | |
| 13 | B153R | DOWEL PIN | 2 | |
| 14 | RE42713 | PIPE PLUG | 5 | |
| 15 | 51M7045 | O-RING | 1 | 19.300 X 2.200 mm |
| 16 | RE505232 | FITTING | 1 | |
| 17 | A120R | DOWEL PIN | 4 | |
| 18 | R131182 | ORIFICE | 4 | |
| 19 | U13639 | O-RING | 1 | |
| 20 | RE508185 | FITTING | 2 | |
| 21 | 51M7041 | O-RING | 1 | 11.300 X 2.200 mm |
| 22 | RE539114 | FITTING | 3 | |
| 23 | R121043 | VALVE | 1 | |
| 24 | R131425 | COMPRESSION SPRING | 1 | |

<https://www.ebooklibonline.com>

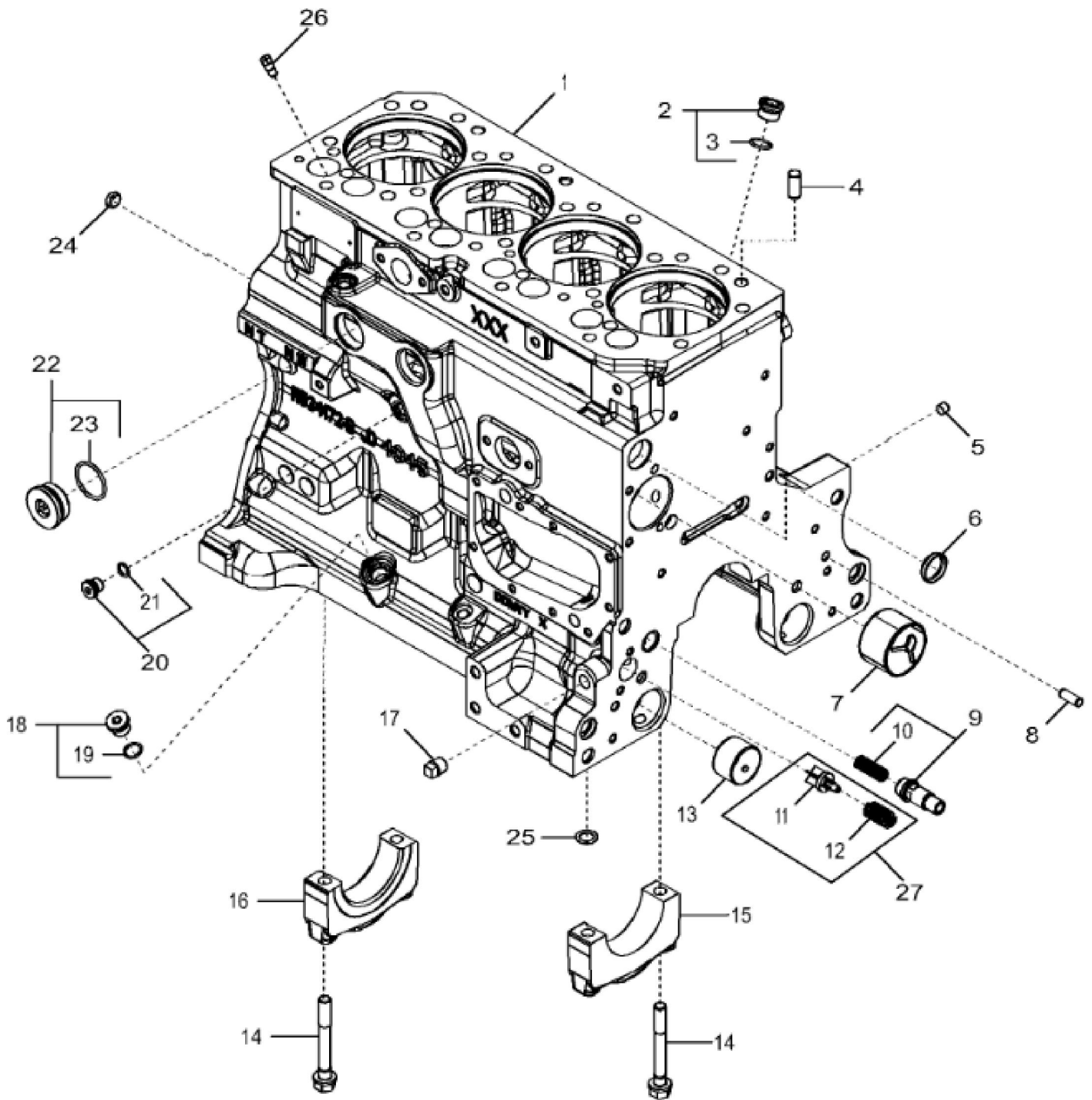
Hello dear friend!

Thank you very much for reading.

Enter the link into your browser.

The full manual is available for immediate download.

<https://www.ebooklibonline.com>



| KEY | PART NO. | PART NAME | QTY | REMARKS |
|-----|----------|--------------------|-----|--------------------------------------|
| 1 | | CYLINDER BLOCK | 1 | MARKED R534172; ORDER RE545935 |
| 2 | RE505232 | FITTING | 1 | |
| 3 | 51M7045 | O-RING | 1 | 19.300 X 2.200 mm |
| 4 | A120R | DOWEL PIN | 4 | |
| 5 | RE71255 | PIPE PLUG | 5 | |
| 6 | R116466 | PLUG | 1 | |
| 7 | R119874 | BUSHING | 1 | |
| 8 | B153R | DOWEL PIN | 2 | |
| 9 | RE505501 | BLEED VALVE | 1 | |
| 10 | R131425 | COMPRESSION SPRING | 1 | |
| 11 | R121043 | VALVE | 1 | (By Pass) |
| 12 | R111137 | SPRING | 1 | |
| 13 | R115299 | BUSHING | 6 | |
| 14 | R535005 | CAP SCREW | 10 | |
| 15 | R536082 | BEARING CAP | 4 | MARKED R536083; SUB FOR APPL R114241 |
| 16 | R535004 | BEARING CAP | 1 | MARKED R536083; SUB FOR APPL R114240 |
| 17 | 15H695 | PIPE PLUG | 1 | 3/8" |
| 18 | RE539115 | FITTING | 2 | |
| 19 | 51M7043 | O-RING | 1 | 15.300 X 2.200 mm |
| 20 | RE539114 | FITTING | 3 | |
| 21 | 51M7041 | O-RING | 1 | 11.300 X 2.200 mm |
| 22 | RE508185 | FITTING | 2 | |
| 23 | U13639 | O-RING | 1 | |
| 24 | T18891 | PLUG | 2 | |
| 25 | R97185 | O-RING | 1 | |
| 26 | R131182 | ORIFICE | 4 | |
| 27 | RE63674 | VALVE | 1 | |



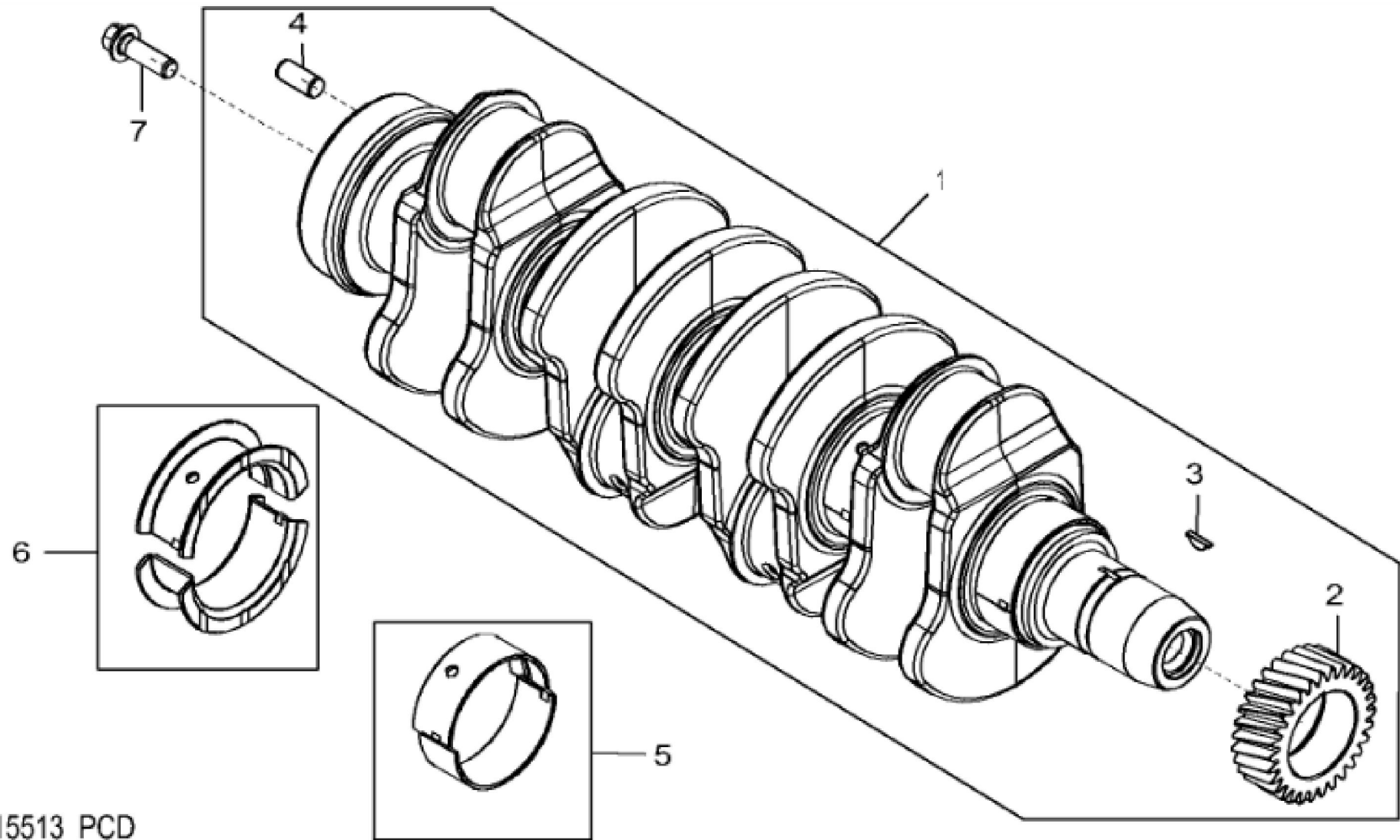
Suggest:

For more complete manuals. Please go to the home page.

<https://www.ebooklibonline.com>

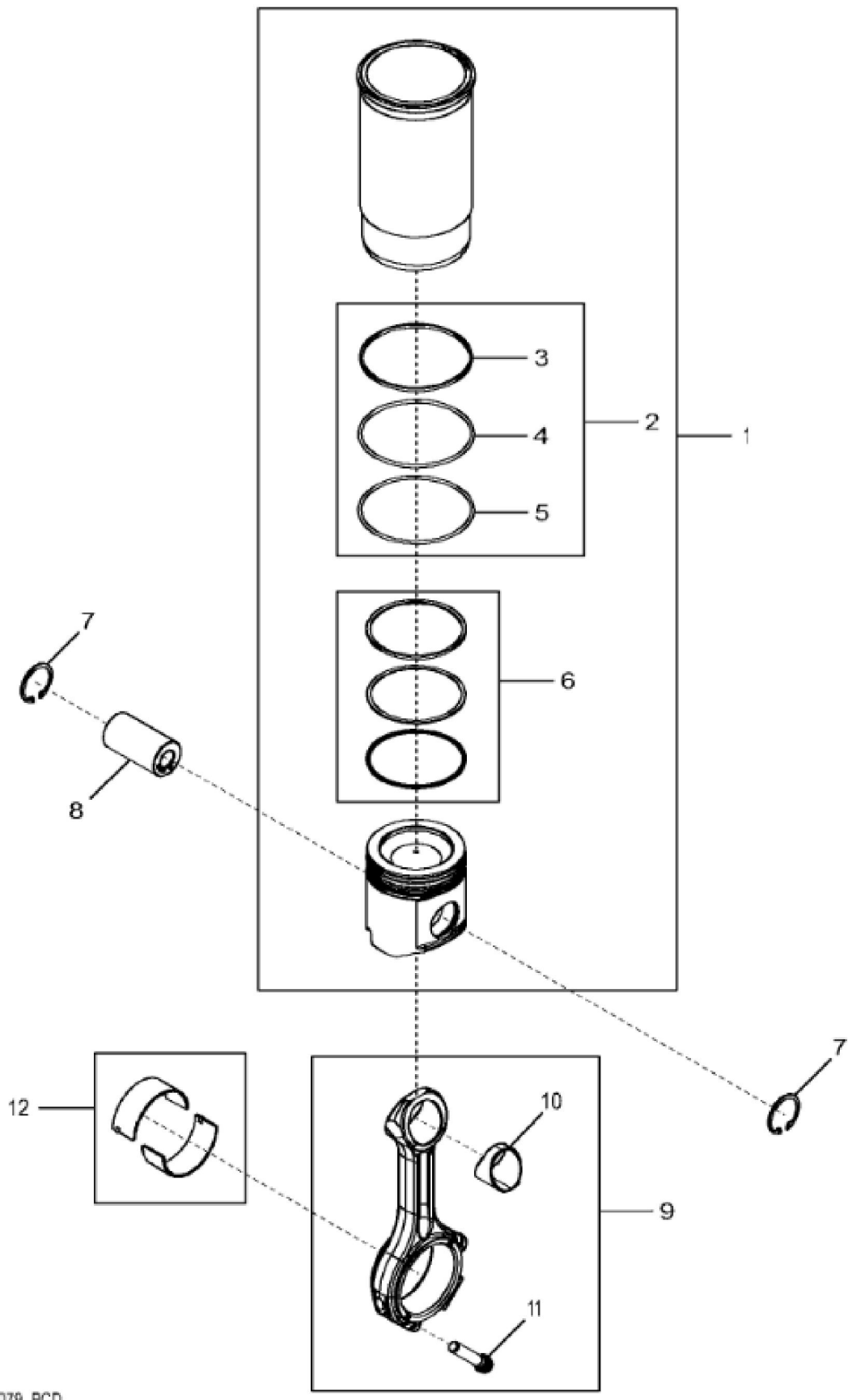
If the above button click is invalid. Please download this document first, and then click the above link to download the complete manual.

Thank you so much for reading



4715_RE515513_PCD

| KEY | PART NO. | PART NAME | QTY | REMARKS |
|-----|----------|------------------|-----|---|
| 1 | RE506195 | CRANKSHAFT | 1 | (Grinding Guidelines : See CTM104) (Iron) ALSO ORDER RE538097 AND RE44574 |
| 1 | SE501656 | CRANKSHAFT REMAN | 1 | (With Bearings) REMAN FOR RE506195 |
| 2 | R120631 | GEAR | 1 | Z = 30 |
| 3 | R505609 | SHAFT KEY | 1 | |
| 4 | A120R | DOWEL PIN | 1 | |
| 5 | RE65165 | BEARING KIT | 4 | STD KIT, MARKED R123561 AND R123562 |
| 5 | RE65911 | BEARING | 1 | US -0.254 MM , MARKED R130576 AND R130577 |
| 6 | RE65168 | BEARING KIT | 1 | STD KIT, MARKED R123563 AND R123564 |
| 6 | RE65912 | THRUST BEARING | 1 | US -0.254MM , MARKED R130576 AND R130577 |
| 7 | R135918 | BOLT | 4 | |



<https://www.ebooklibonline.com>

Hello dear friend!

Thank you very much for reading.

Enter the link into your browser.

The full manual is available for immediate download.

<https://www.ebooklibonline.com>