

>ST849580 - 4643 CYLINDER BLOCK

KEY	PART NO.	PART NAME	QTY	REMARKS	
1	CYLINDER BLOCK	1	ORDER RE532716	
1	RE532716	SHORT BLOCK ASSEMBLY	1	MARKED R534172	
2	R114240	BEARING CAP	1		
3	R114241	BEARING CAP	4		
4	R535005	CAP SCREW	10		
5	R119874	BUSHING	1		
6	R115299	BUSHING	6		
7	R116466	PLUG	1		
8	RE71255	PIPE PLUG	5		
9	15H584	PIPE PLUG	1	1/2"	
10	15H695	PIPE PLUG	1	3/8"	
11	RE507807	PIPE PLUG	1		
12	RE505501	BLEED VALVE	1		
13	R131425	COMPRESSION SPRING	1		
14	R131182	ORIFICE	4		
15	B153R	DOWEL PIN	2		
16	A120R	DOWEL PIN	4		
17	T18891	PLUG	2		
18	R97185	O-RING	1		
19	R121043	VALVE	1		
20	R111137	SPRING	1		
21	RE508185	FITTING	2		
22	U13639	O-RING	1		

<https://www.ebooklibonline.com>

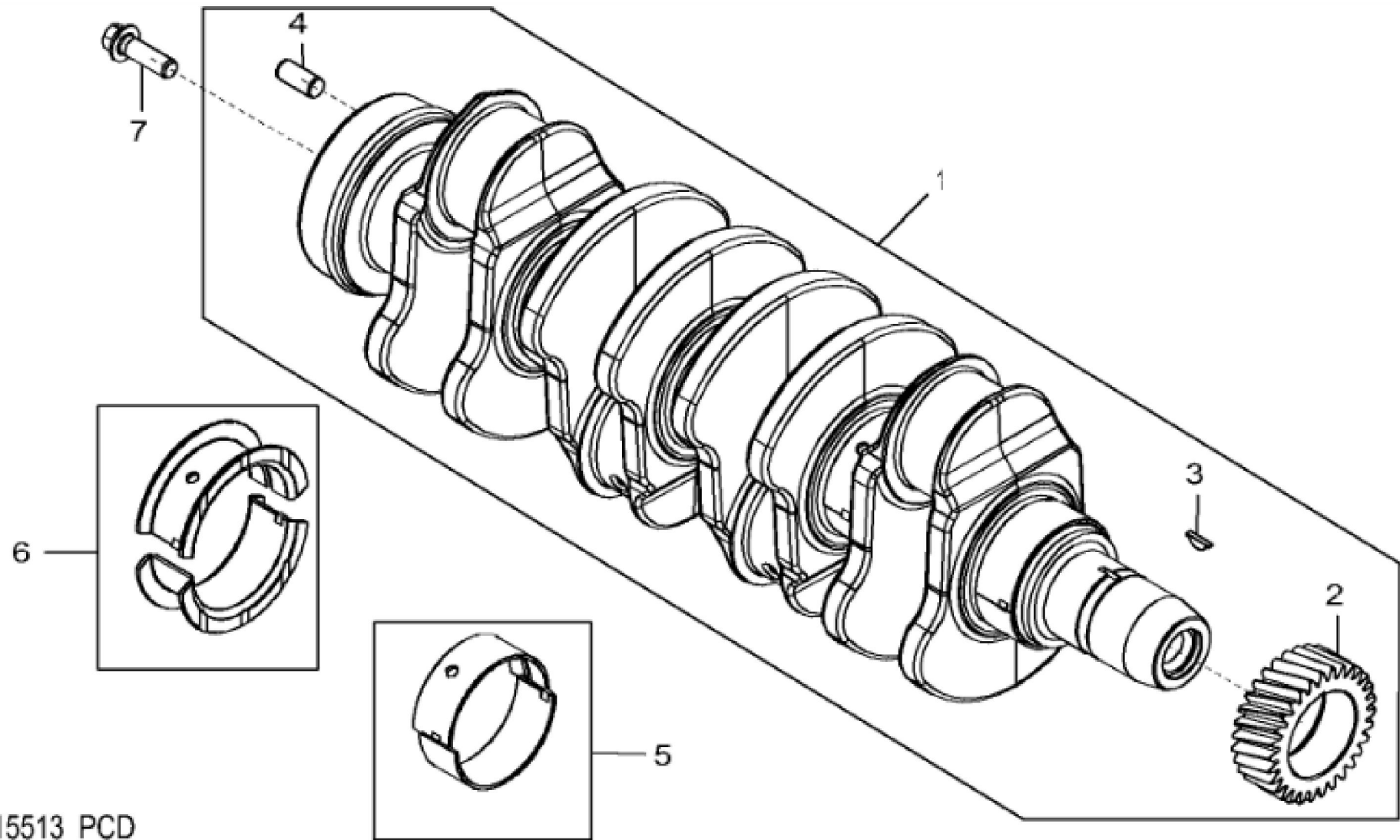
Hello dear friend!

Thank you very much for reading.

Enter the link into your browser.

The full manual is available for immediate download.

<https://www.ebooklibonline.com>



4715_RE515513_PCD

KEY	PART NO.	PART NAME	QTY	REMARKS
1	RE506195	CRANKSHAFT	1	(Grinding Guidelines : See CTM104) (Iron) ALSO ORDER RE538097 AND RE44574
1	SE501656	CRANKSHAFT REMAN	1	(With Bearings) REMAN FOR RE506195
2	R120631	GEAR	1	Z = 30
3	R505609	SHAFT KEY	1	
4	A120R	DOWEL PIN	1	
5	RE65165	BEARING KIT	4	STD KIT, MARKED R123561 AND R123562
5	RE65911	BEARING	1	US -0.254 MM , MARKED R130576 AND R130577
6	RE65168	BEARING KIT	1	STD KIT, MARKED R123563 AND R123564
6	RE65912	THRUST BEARING	1	US -0.254MM , MARKED R130576 AND R130577
7	R135918	BOLT	4	



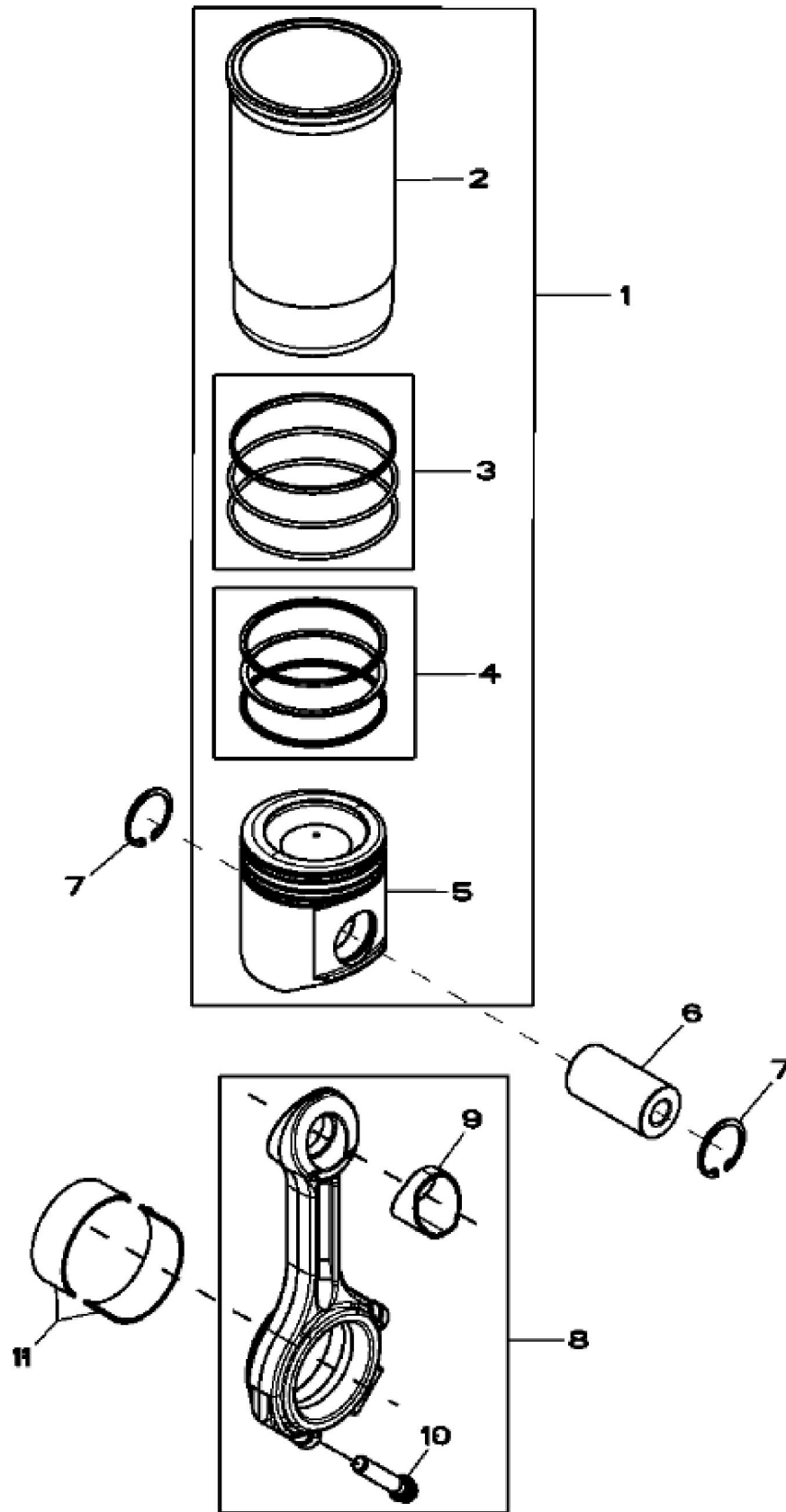
Suggest:

For more complete manuals. Please go to the home page.

<https://www.ebooklibonline.com>

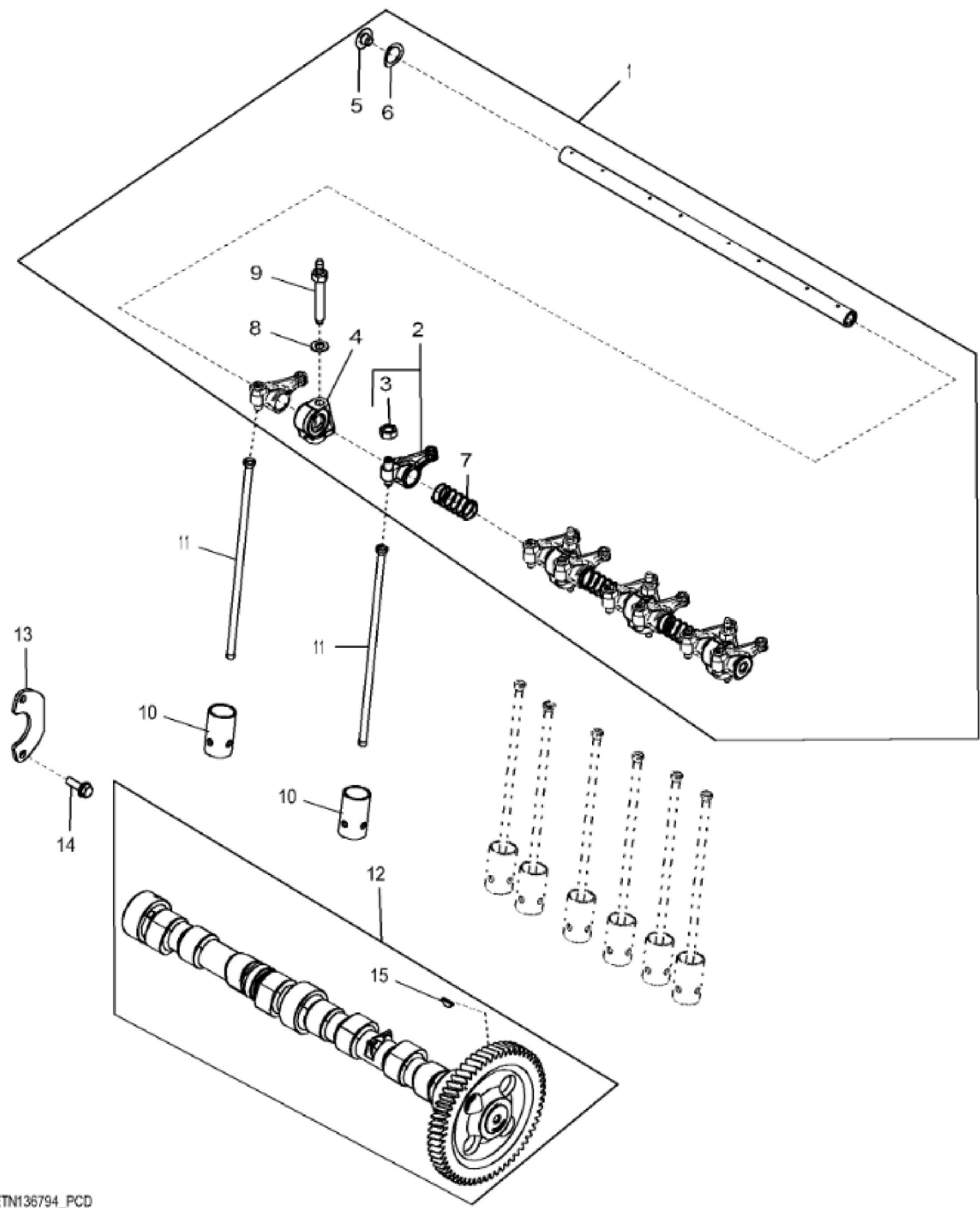
If the above button click is invalid. Please download this document first, and then click the above link to download the complete manual.

Thank you so much for reading



John Deere > Construction And Forestry >DOZER, CRAWLER >650J - DOZER, CRAWLER >650J Crawler Dozer (Tier 3) (S.N. 159987-) >04 ENGINE 4045HT057 >0400 ENGINE 4045HT057 4045HT057
 >ST57918 - 4838 CONNECTING RODS / PISTONS

KEY	PART NO.	PART NAME	QTY	REMARKS
1	RE527843	PISTON-LINER KIT	4	
2	CYLINDER LINER	1	NSEP (Order RE527843)
3	AR65507	O-RING KIT	1	
4	RE507852	PISTON RING KIT	1	SUB FOR RE527844
5	PISTON	1	NSEP (Marked RE527039) (Order RE527843)
6	R502755	PISTON PIN	4	OD= 41MM, LGTH= 77MM
7	R54114	SNAP RING	8	
8	RE500608	CONNECTING ROD	4	(Marked R500335)
8	SE501094	CONNECTING ROD REMAN	4	(Marked R500335) (Reman For RE500608)
9	R114082	BUSHING	1	
10	R501124	SCREW	2	
11	RE65908	BEARING	4	STD (Kit (2) R113698)
11	RE65909	BEARING	AR	(Grinding Guidelines : See CTM104) ID -0.254MM, (Kit (2) R130578)



<https://www.ebooklibonline.com>

Hello dear friend!

Thank you very much for reading.

Enter the link into your browser.

The full manual is available for immediate download.

<https://www.ebooklibonline.com>