



KEY	PART NO.	PART NAME	QTY	REMARKS
1	1112106914	CYLINDER BLOCK	1	SUB FOR 1112106912 OR 1112106913
2	1878128601	CYLINDER LINER	6	Grade 3X, SUB FOR 1878128600
2	1878133914	CYLINDER KIT	6	Grade 1X, SUB FOR 1878133913 OR 1878128590
4	1112613792	CYLINDER LINER	1	
4	1112613802	CYLINDER LINER	1	Grade 3X
11	1090701510	BOLT	14	
12	1090700873	BOLT	28	SUB FOR 1090700872
17	1096301410	GASKET	1	
18	1096300830	GASKET	1	
19	1096300840	GASKET	1	
20	1096300890	GASKET	1	
21	1097400681	DOWEL PIN	2	
25	1096301410	GASKET	1	
26	30H7	PLUG	1	5/8", SUB FOR 5111290030
30	9081510180	DOWEL PIN	3	
31	1097490251	DOWEL PIN	2	
32	8943255061	DOWEL PIN	2	
33	9081605100	PIN FASTENER	2	
34	1131600303	PRESSURE RELIEF VALVE	1	SUB FOR 1131600302
35	1096232970	GASKET	1	
36	8970365501	BEARING CUP	4	SUB FOR 8973514510
37	1096000160	PLUG	1	
38	9081510180	DOWEL PIN	2	
39	8942416370	PLUG	13	
40	1096000651	PLUG	2	
46	1133490140	BOLT	6	
47	1096040350	PLUG	1	
48	1096040940	PLUG	1	
49	1096040950	PLUG	1	
50	9992023140	PIPE PLUG	1	
56	1133421392	ORIFICE	6	SUB FOR 1133421391 AND 1133421390
63	8981167681	PISTON	1	SUB FOR 1121120010 OR 8981167680
68	1121211540	PISTON RING	1	Set Of Four
69	1122110291	PIN FASTENER	1	
70	1096000122	PLUG	1	

**<https://www.ebooklibonline.com>**

Hello dear friend!

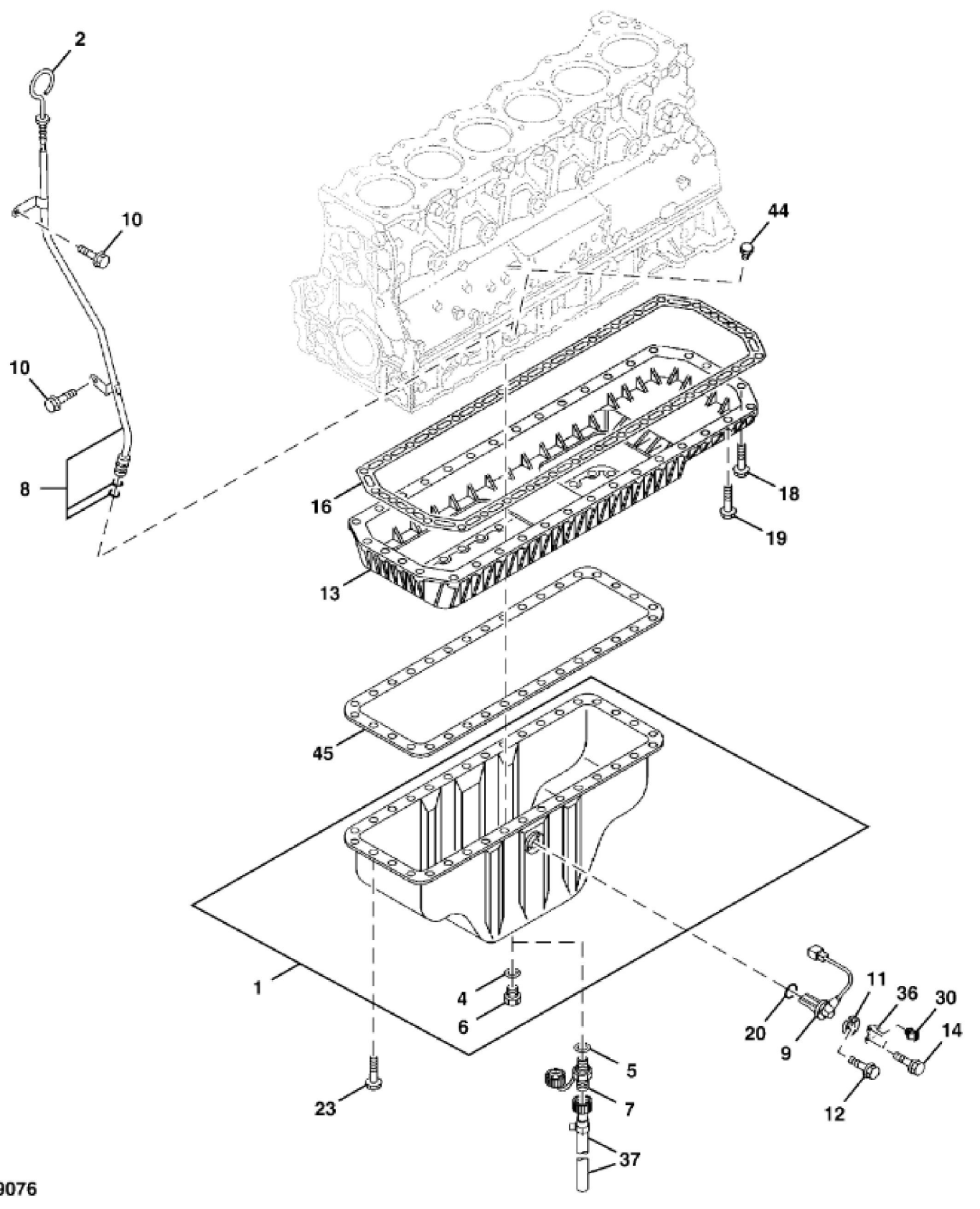
Thank you very much for reading.

Enter the link into your browser.

The full manual is available for immediate download.

**<https://www.ebooklibonline.com>**

KEY	PART NO.	PART NAME	QTY	REMARKS	
71	1096000160	PLUG	4		
76	1095870820	SNAP RING	12		
83	9081514280	PIN FASTENER	2		
95	8980274560	SENSOR	1	Oil, SUB FOR 8976004340	



TX1159076

KEY	PART NO.	PART NAME	QTY	REMARKS
1	1113609170	OIL PAN	1	
2	1117604461	LEVEL GAUGE	1	SUB FOR 1117604460
4	1096231790	O-RING	1	SUB FOR 1096230580
5	9095714240	GASKET	1	
6	1096040220	PIPE PLUG	1	SUB FOR 1096040641 OR 1096040640
7	8981442470	PLUG	1	SUB FOR 1096801052, 1096801050, 1096801051 OR 1096801060
8	1117666091	OIL TUBE	1	SUB FOR 1117666090
9	8971312230	SENSOR	1	Oil Level
10	4447337	BOLT	2	SUB FOR 0281810200 OR TH4447337
11	5113690720	SPACER	1	
12	1099805430	BOLT	1	SUB FOR 0501406280
13	1113608982	SPACER	1	NLA, ORDER 8980900130
13	8980900130	SPACER	1	ALSO ORDER 8980630320
14	0501406300	BOLT	2	
16	1113671300	GASKET	1	Between Engine Block and Spacer, NLA, ORDER 8980630320, USE WITH 1113608982
16	8980630320	GASKET	1	Between Engine Block and Spacer, USE WITH 8980900130
18	0281810500	BOLT	4	
19	0287810350	BOLT	28	
20	8976049160	GASKET	1	SUB FOR 1096233550
23	.....	SCREW WITH WASHER	34	0501408250 NLA
23	19M7163	CAP SCREW	34	M8 X 25
23	.....	WASHER	34	12M7065 NLA
23	24M7036	WASHER	34	9 X 16 X 1.600 mm
30	1097091780	CLIP	1	
36	1154197290	BRACKET	1	
37	8982534070	HOSE	1	SUB FOR 8973880231 OR 8973880230
44	1096040980	PLUG	1	
45	1113671310	GASKET	1	Between Oil Pan and Spacer, SUB FOR 1113671210



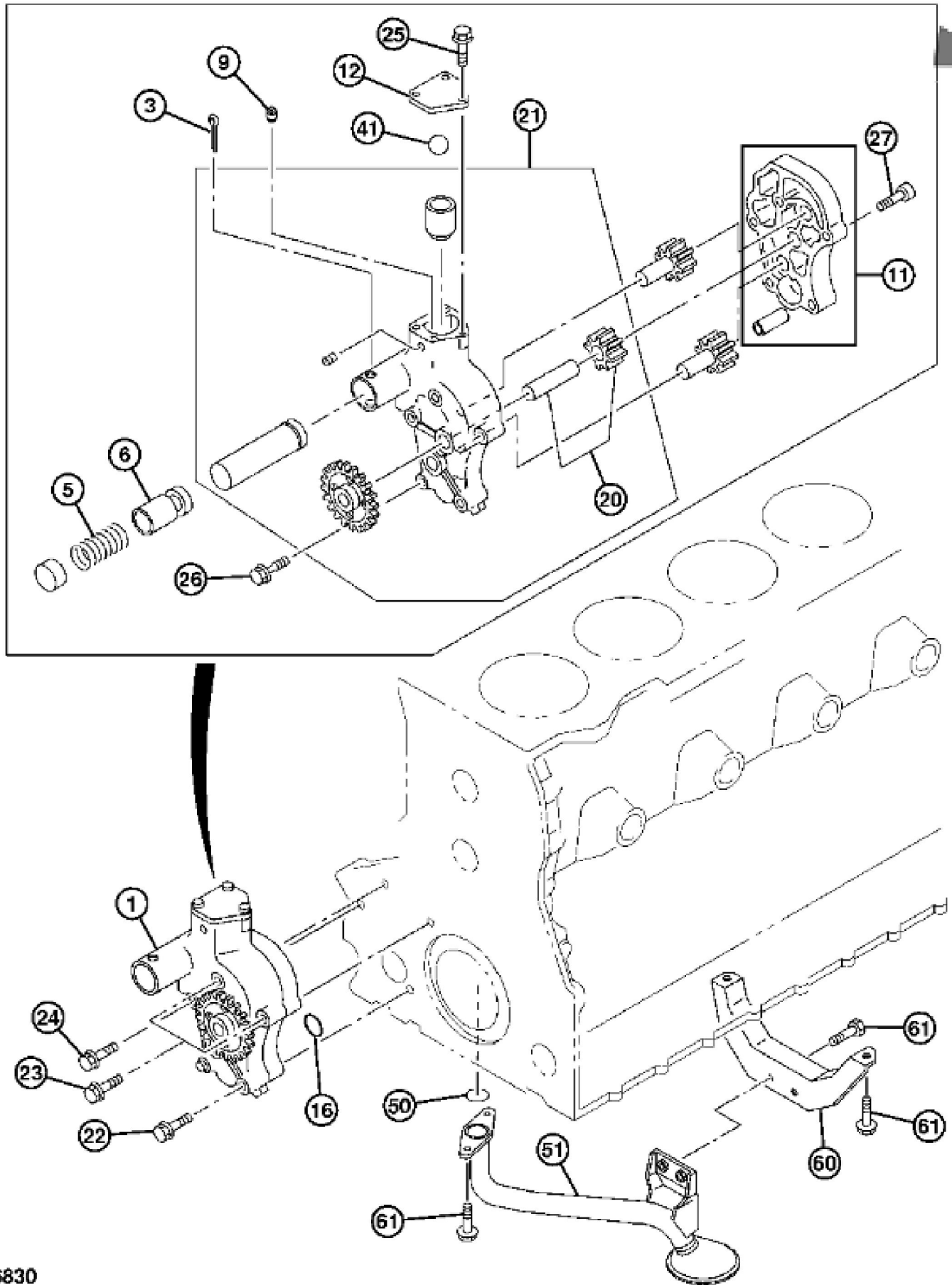
**Suggest:**

**For more complete manuals. Please go to the home page.**

**<https://www.ebooklibonline.com>**

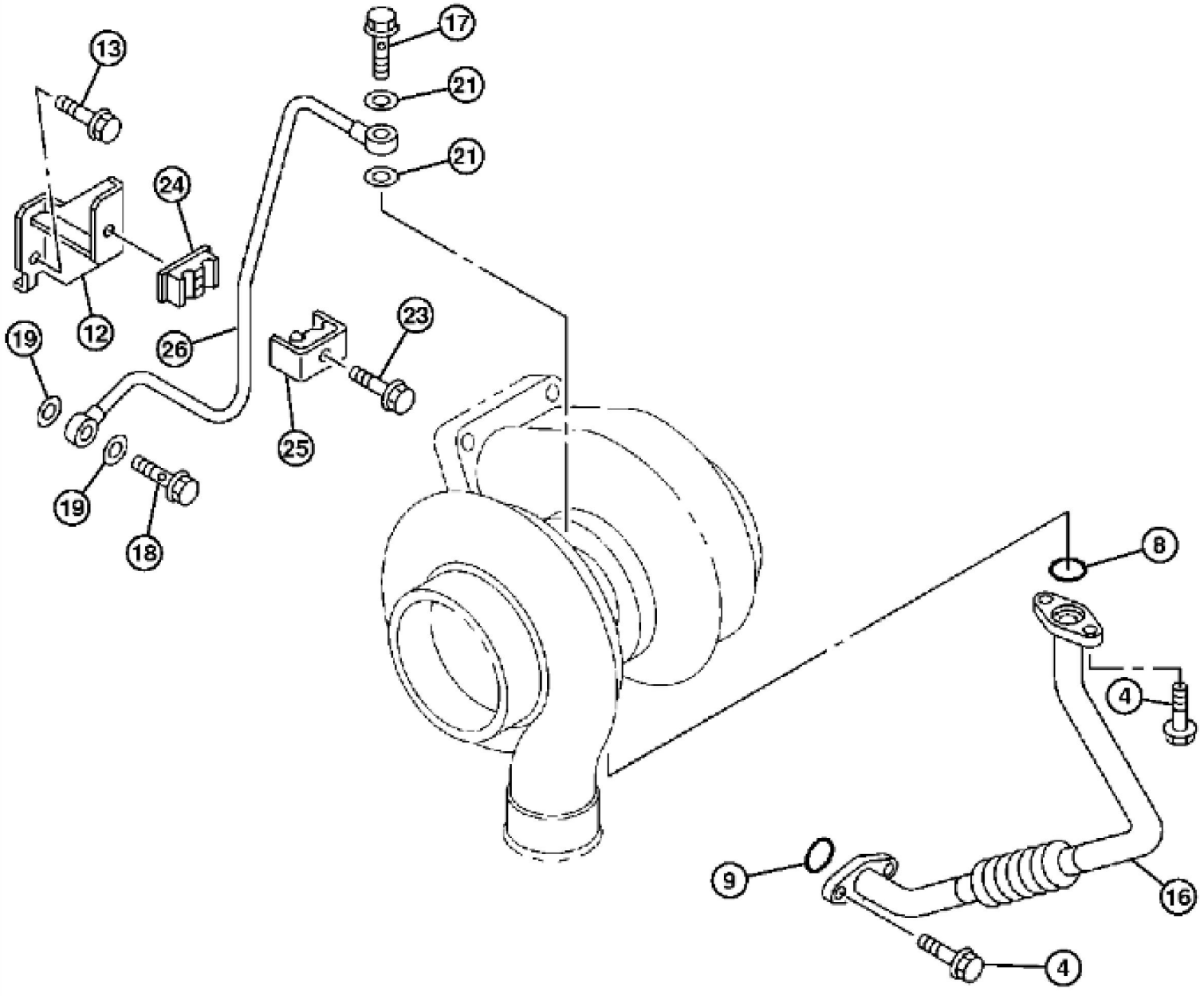
**If the above button click is invalid. Please download this document first, and then click the above link to download the complete manual.**

**Thank you so much for reading**



T216830

KEY	PART NO.	PART NAME	QTY	REMARKS
1	8982769880	PUMP	1	ALSO ORDER (2) 8943973591 (2) 0281510600 AND 8982602600, SUB FOR 1131002751, 1131003121 AND 1131003122
1	8943973591	BOLT	2	
1	0281510600	BOLT	2	
1	8982602600	STRAINER	1	
3	.....	COTTER PIN	1	9081140600 NLA
5	1095805340	SPRING	1	
6	.....	PRESSURE RELIEF VALVE	1	1131610240 NLA
9	1131630020	PLUG	1	
11	.....	COVER	1	1131130680 NLA
12	1131630040	COVER	1	
16	1096235290	SEAL	1	
20	.....	GEAR	1	Use Until Exhausted, 1131200800
21	1131200891	GEAR	1	SUB FOR 1131200890
22	8943973591	BOLT	1	
23	8943994881	BOLT	2	
24	9059210800	BOLT	1	
25	0280808180	BOLT	3	
26	19M7742	CAP SCREW	1	M10 X 65, SUB FOR 0281810600 OR 0168060650
27	0583308350	BOLT	2	SUB FOR 0583108350
41	.....	BALL	1	1131610210 NLA
50	1096235290	SEAL	1	
51	1133138853	STRAINER	1	SUB FOR 1133138852
60	1133451801	BRACKET	1	
61	4447337	BOLT	6	SUB FOR 0281810200 OR TH4447337



T216849

**<https://www.ebooklibonline.com>**

Hello dear friend!

Thank you very much for reading.

Enter the link into your browser.

The full manual is available for immediate download.

**<https://www.ebooklibonline.com>**