

PU19978

KEY	PART NO.	PART NAME	QTY	REMARKS	
1	MIA12543	GASOLINE ENGINE	1	MARKED FX691V-DS16R; ORDER MIA12629	
1	MIA12629	GASOLINE ENGINE	1	MARKED FX691V-ES16R	
2	19H3693	SCREW	4	3/8" X 1-1/4", SUB FOR APPL TCU39256	
3	TCU24263	CAP SCREW	1		
4	TCU35711	LABEL	1		
5	24M7178	WASHER	4	10.500 X 30 X 2.500 mm	

**<https://www.ebooklibonline.com>**

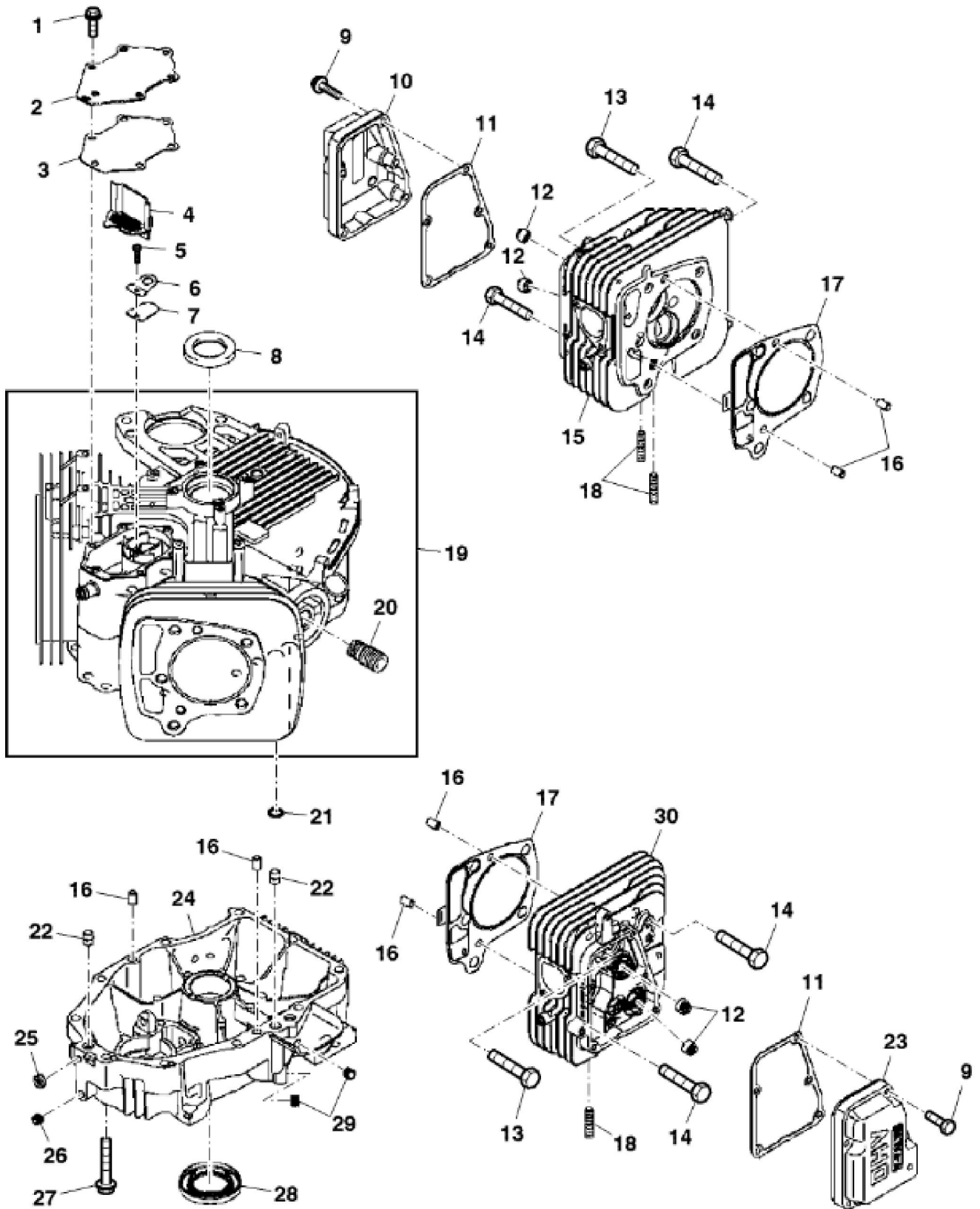
Hello dear friend!

Thank you very much for reading.

Enter the link into your browser.

The full manual is available for immediate download.

**<https://www.ebooklibonline.com>**



KEY	PART NO.	PART NAME	QTY	REMARKS
1	MIU11325	BOLT	6	
2	MIU12397	COVER	1	
3	MIU12395	GASKET	1	
4	MIU12398	PIPE	1	
5	21M7244	SCREW	1	M4 X 8
6	MIU13821	PLATE	1	
7	MIU11769	VALVE	1	
8	M149281	SEAL	1	
9	19M7863	SCREW	10	M6 X 25
10	MIU13778	CASE	1	
11	MIU12394	GASKET	2	
12	M138389	SEAL	4	
13	MIU12209	BOLT	6	
14	MIU11776	BOLT	4	
15	MIU12390	CYLINDER HEAD	1	
16	M74252	PIN	6	
17	MIU12396	GASKET	2	
18	MIU12726	STUD	4	
19	MIA12337	CRANKCASE	1	
20	MIU13767	ADAPTER FITTING	1	
21	M76104	O-RING	2	
22	MIU14507	PIPE	3	SUB FOR MIU11770
23	MIU14499	COVER	1	SUB FOR MIU13779; Rocker
24	MIU13011	COVER	1	ORDER MIA12754;
24	MIA12754	CRANKCASE	1	
25	M151774	SEAL	1	
26	MIU12401	PLUG	1	
27	19M8319	SCREW	10	M8 X 50
28	MIU12400	SEAL	1	
29	MIU14001	PLUG	2	
30	MIU12391	CYLINDER HEAD	1	
31	M123645	DRAIN PLUG	1	(Not Illustrated)



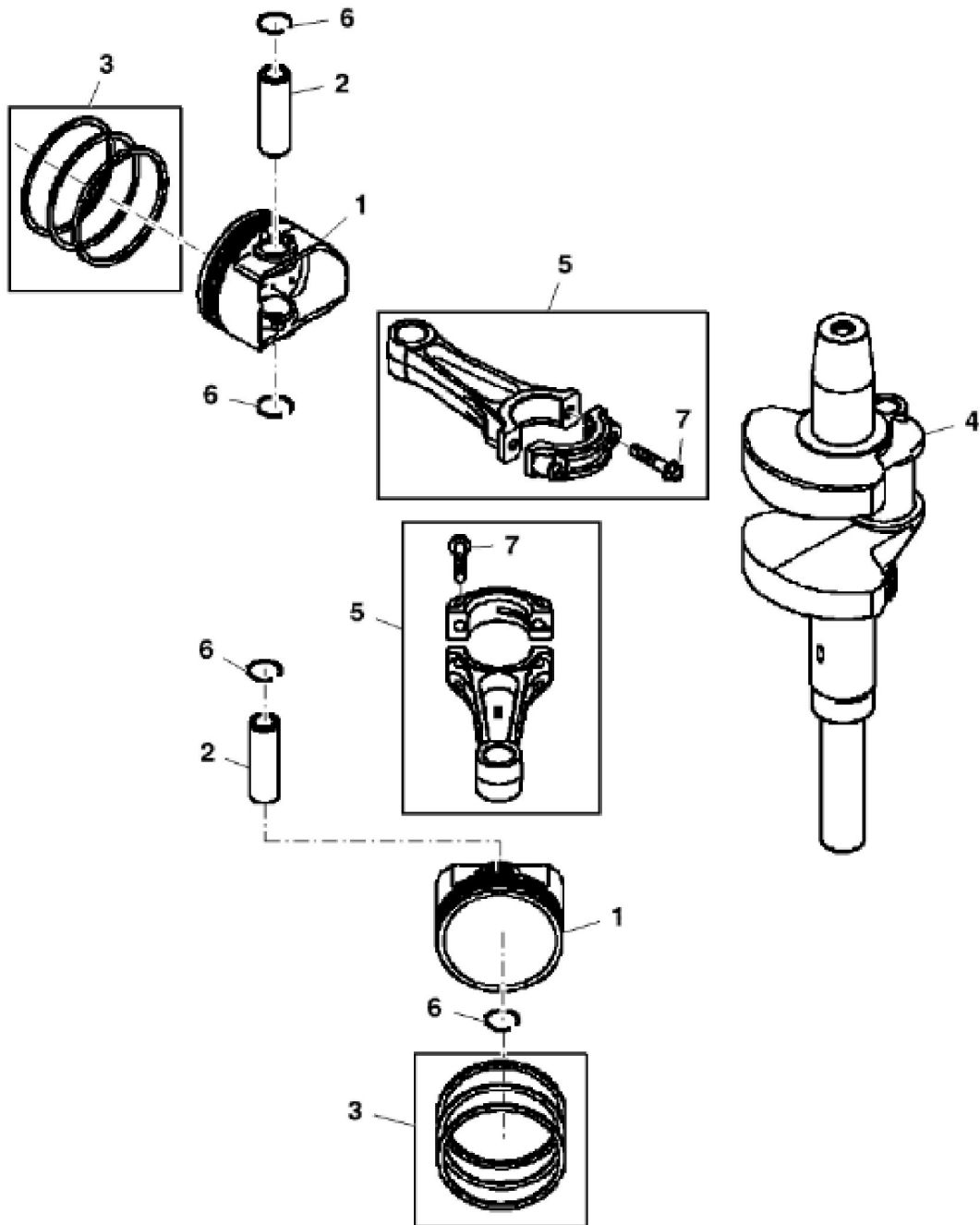
**Suggest:**

**For more complete manuals. Please go to the home page.**

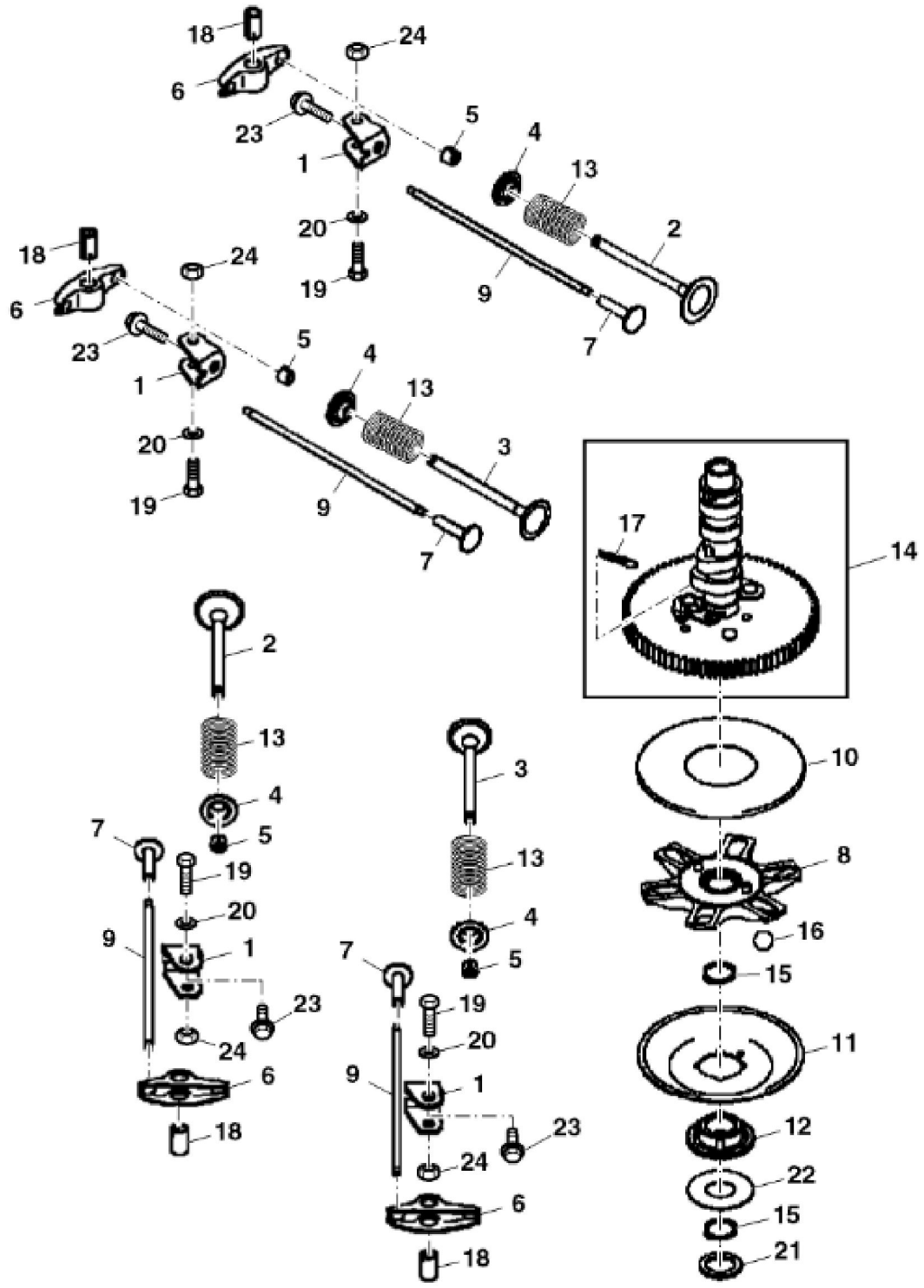
**<https://www.ebooklibonline.com>**

**If the above button click is invalid. Please download this document first, and then click the above link to download the complete manual.**

**Thank you so much for reading**



KEY	PART NO.	PART NAME	QTY	REMARKS	
1	MIU12403	PISTON	2		
1	MIU12407	PISTON	1		
2	MIU13270	PISTON PIN	2		
3	MIU12405	PISTON RING KIT	2		
3	MIU12406	PISTON RING KIT	1		
4	MIU12492	CRANKSHAFT	1		
5	MIA11615	CONNECTING ROD	2		
6	MIU12408	SNAP RING	4		
7	M146763	BOLT	4		



**<https://www.ebooklibonline.com>**

Hello dear friend!

Thank you very much for reading.

Enter the link into your browser.

The full manual is available for immediate download.

**<https://www.ebooklibonline.com>**