

PU17481

| KEY | PART NO. | PART NAME | QTY | REMARKS | |
|-----|----------|-----------------|-----|--------------------------|--|
| 1 | MIA12629 | GASOLINE ENGINE | 1 | Gas, MARKED FX691V-ES16R | |
| 2 | TCU35711 | LABEL | 1 | Engine FX691V | |

<https://www.ebooklibonline.com>

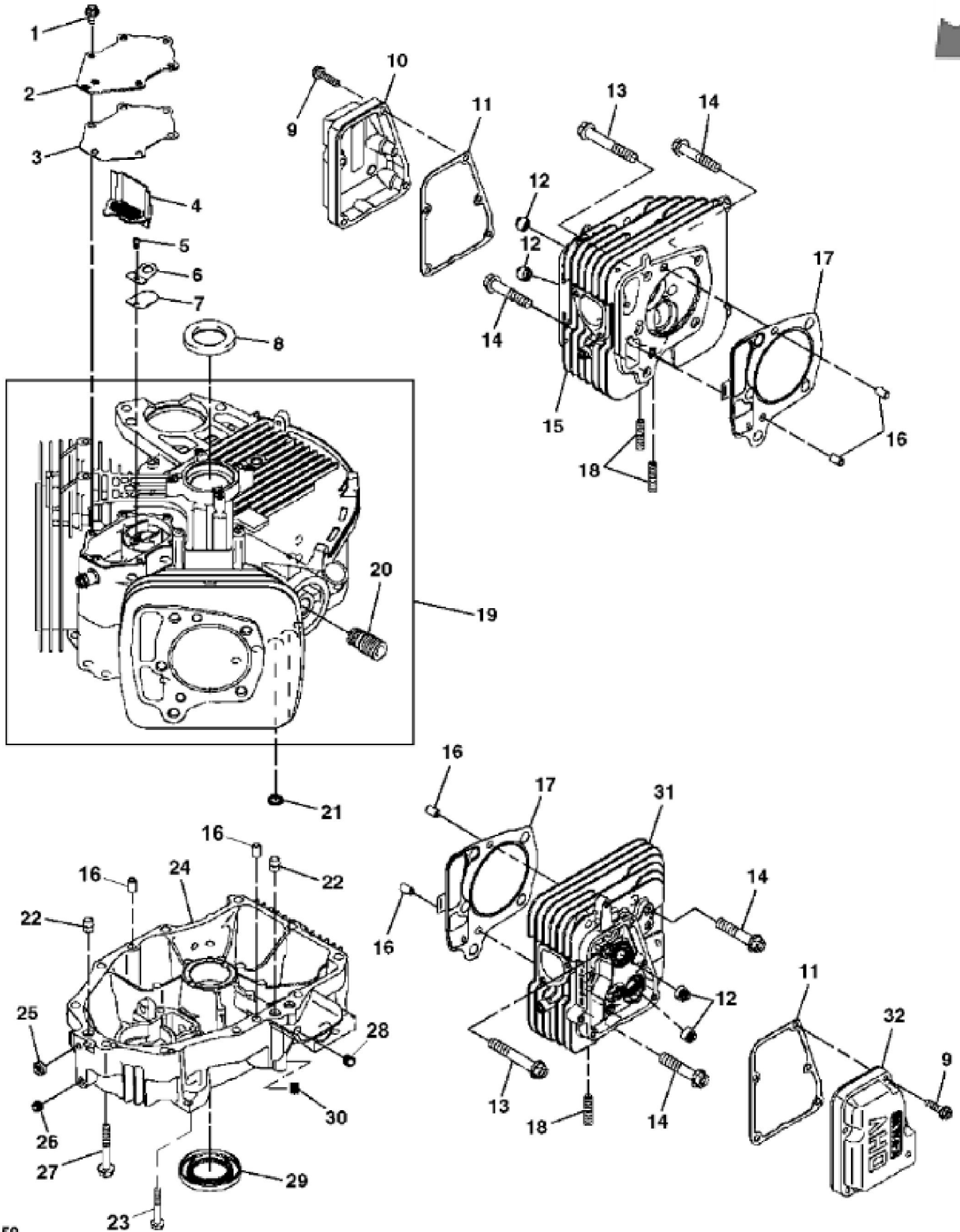
Hello dear friend!

Thank you very much for reading.

Enter the link into your browser.

The full manual is available for immediate download.

<https://www.ebooklibonline.com>



| KEY | PART NO. | PART NAME | QTY | REMARKS |
|-----|----------|-----------------|-----|---|
| 1 | MIU11325 | BOLT | 6 | |
| 2 | MIU12397 | COVER | 1 | Breather |
| 3 | MIU12395 | GASKET | 1 | |
| 4 | MIU12398 | PIPE | 1 | Breather |
| 5 | 21M7244 | SCREW | 1 | M4 X 8 |
| 6 | MIU13821 | PLATE | 1 | Breather |
| 7 | MIU11769 | VALVE | 1 | Breather |
| 8 | M149281 | SEAL | 1 | |
| 9 | 19M7863 | SCREW | 10 | M6 X 25 |
| 10 | MIU13778 | CASE | 1 | Rocker |
| 11 | MIU12394 | GASKET | 2 | |
| 12 | M138389 | SEAL | 4 | |
| 13 | MIU12209 | BOLT | 6 | |
| 14 | MIU11776 | BOLT | 4 | M10 X 50 |
| 15 | MIU12390 | CYLINDER HEAD | 1 | No. 1 |
| 16 | M74252 | PIN | 6 | |
| 17 | MIU12396 | GASKET | 2 | |
| 18 | MIU11949 | BOLT | 4 | |
| 19 | MIA12337 | CRANKCASE | 1 | |
| 20 | MIU13767 | ADAPTER FITTING | 1 | |
| 21 | M76104 | O-RING | 2 | |
| 22 | MIU14507 | PIPE | 3 | SUB FORMIU11770 |
| 23 | 19H3693 | SCREW | 4 | 3/8" X 1-1/4", SUB FOR TCU39256; Engine mounting |
| 24 | MIA12754 | CRANKCASE | 1 | INCLUDES (1) MIU12401, (1) M123645 and (2) MIU14001; Crankcase Cover Kit |
| 25 | M151774 | SEAL | 1 | |
| 26 | MIU12401 | PLUG | 1 | |
| 27 | 19M8319 | SCREW | 10 | M8 X 50 |
| 28 | M123645 | DRAIN PLUG | 1 | |
| 29 | MIU12400 | SEAL | 1 | |
| 30 | MIU14001 | PLUG | 2 | |
| 31 | MIU12391 | CYLINDER HEAD | 1 | No. 2 |
| 32 | MIU14499 | COVER | 1 | SUB FOR MIU13779; Rocker |



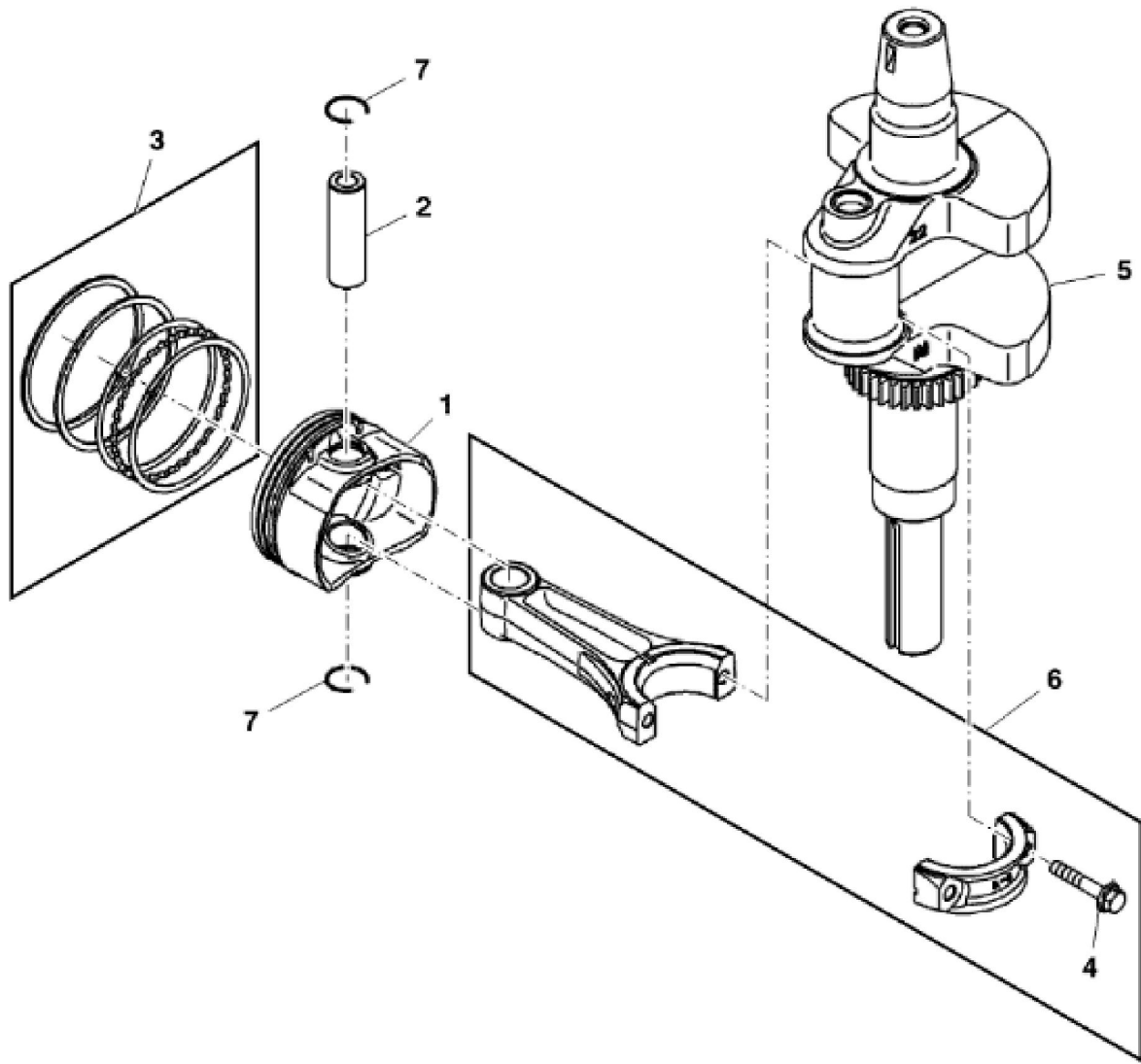
Suggest:

For more complete manuals. Please go to the home page.

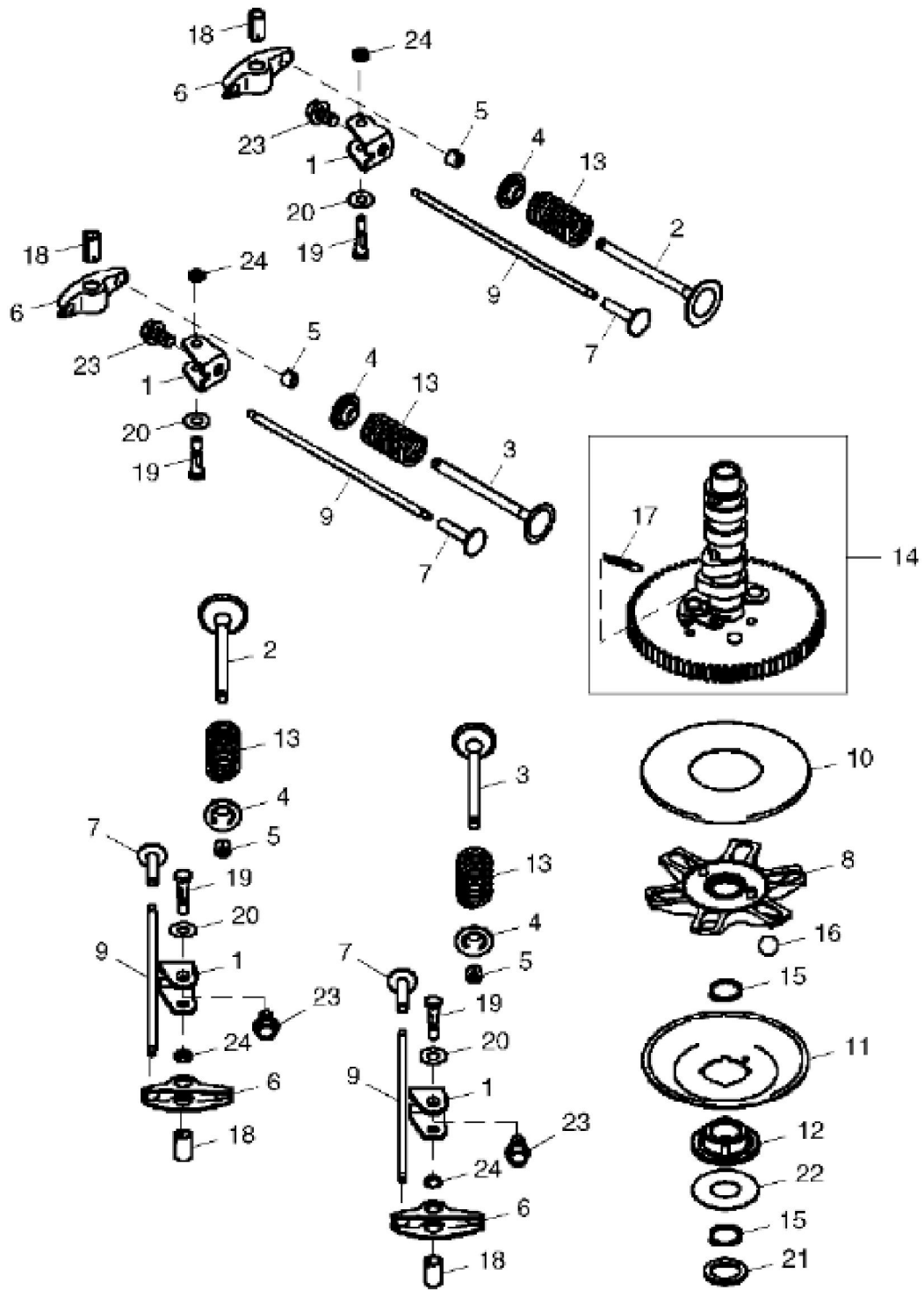
<https://www.ebooklibonline.com>

If the above button click is invalid. Please download this document first, and then click the above link to download the complete manual.

Thank you so much for reading



| KEY | PART NO. | PART NAME | QTY | REMARKS | |
|-----|----------|----------------|-----|----------------|--|
| 1 | MIU12403 | PISTON | 2 | | |
| 1 | MIU12407 | PISTON RING | AR | | |
| 2 | MIU13270 | PISTON PIN | 2 | | |
| 3 | MIU12405 | PISTON RING | 2 | | |
| 3 | MIU12406 | PISTON RING | AR | | |
| 4 | M146763 | BOLT | 4 | Connecting Rod | |
| 5 | MIU12492 | CRANKSHAFT | 1 | | |
| 6 | MIA11615 | CONNECTING ROD | 2 | | |
| 7 | MIU12408 | SNAP RING | 4 | | |



MP64526

<https://www.ebooklibonline.com>

Hello dear friend!

Thank you very much for reading.

Enter the link into your browser.

The full manual is available for immediate download.

<https://www.ebooklibonline.com>