

KEY	PART NO.	PART NAME	QTY	REMARKS
1	M141350	FILTER ELEMENT	1	ORDER MIA11393
2	M140222	GASKET	1	USE WITH AM131990, AM132634, MIA10990 AND MIA10964
2	MIU11731	GASKET	1	(A); USE WITH MIA11393
3	M140224	COVER	1	USE WITH AM131990, AM132634, MIA10990 AND MIA10964
3	MIU11732	COVER	1	(A); USE WITH MIA11393
4	19M7774	SCREW	4	M6 X 12, USE WITH AM131990, AM132634, MIA10990 AND MIA10964
4	19M7775	SCREW	4	M6 X 16, (A); USE WITH MIA11393
5	19M8477	CAP SCREW	4	M6 X 40
6	M140218	CASE	2	
7	M140221	GASKET	2	
8	M138394	BOLT	2	NLA; ORDER MIU11322
8	MIU11322	BOLT	2	
9	M138389	SEAL	4	(SUB FOR M149280)
10	MIU11326	BOLT	8	(SUB FOR M138393)
11	M138395	STUD	4	NLA; ORDER MIU11736
11	MIU11736	BOLT	4	NLA; ORDER MIU12726
11	MIU12726	STUD	4	
12	M138388	PIN	6	
13	MIA10402	CYLINDER HEAD	1	CYLINDER NO. 1 (SUB FOR AM132473)
13	AM135296	CYLINDER HEAD	1	CYLINDER NO. 2 (SUB FOR AM132396)
14	M147908	ENGINE CYLINDER HEAD GASKET	2	
15	M140231	SNAP RING	2	
16	M149282	SEAL	1	(SUB FOR M138391)
17	M138392	SEAL	1	NLA; ORDER M151774
17	M151774	SEAL	1	
18	M150449	COVER	1	
18	MIU11292	COVER	1	(USE WITH MIA10990 AND MIA10964)
19	M140220	GASKET	1	
20	21M7244	SCREW	1	M4 X 8
21	M140223	PLATE	1	
22	M140229	VALVE	1	
23	M149281	SEAL	1	(SUB FOR M138390)
23	M150948	SEAL	1	(USE WITH MIA10990 AND MIA10964)
24	M127431	ADAPTER FITTING	1	

**<https://www.ebooklibonline.com>**

Hello dear friend!

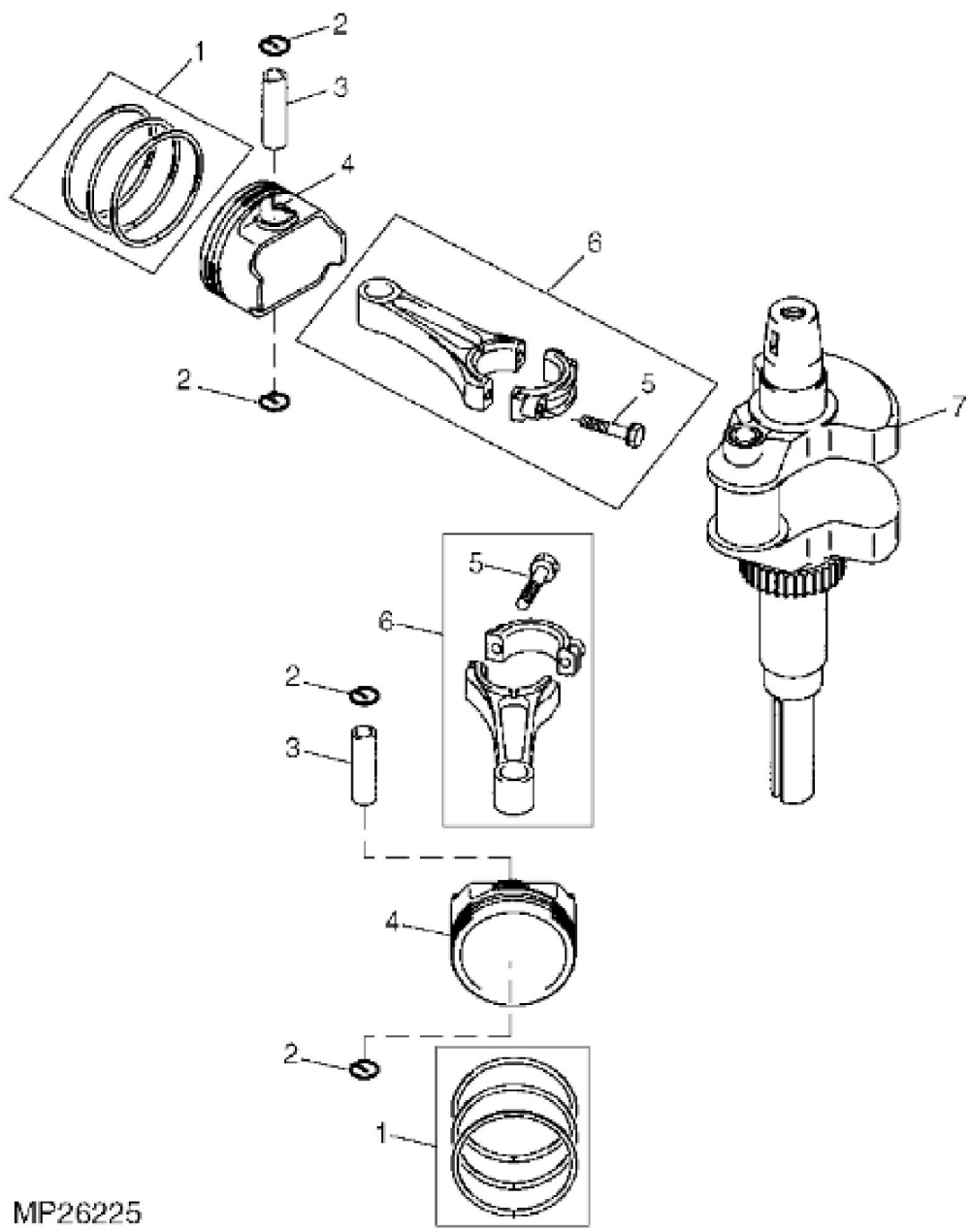
Thank you very much for reading.

Enter the link into your browser.

The full manual is available for immediate download.

**<https://www.ebooklibonline.com>**

KEY	PART NO.	PART NAME	QTY	REMARKS
25	AM132504	CRANKCASE	1	
25	AM133930	CRANKCASE	1	(USE WITH MIA10990)
25	MIA10962	CRANKCASE	1	(USE WITH MIA10964)
26	19H1906	CAP SCREW	3	5/16" X 1-1/2", (SUB FOR D14147)
27	24H1887	WASHER	3	11/32" X 1" X 0.134", (USE WITH D14147) (SUB FOR D24033)
28	M63277	LOCK NUT	4	
29	M150948	SEAL	1	USE WITH MIA10964
30	AM131990	GASOLINE ENGINE	1	(Not Illustrated) MARKED FH601V-AS17; ORDER MIA10990
30	AM132634	GASOLINE ENGINE	1	(Not Illustrated) MARKED FH601V-BS17; ORDER MIA10964
30	MIA10990	SHORT BLOCK ASSEMBLY	1	(Not Illustrated) SUB FOR MIA10991 OR AM132506
30	MIA10964	SHORT BLOCK ASSEMBLY	1	(Not Illustrated)
31	MIA11393	COVER KIT	1	(Not Illustrated) INCLUDES PART MARKED (A)



MP26225

KEY	PART NO.	PART NAME	QTY	REMARKS	
1	AM128738	PISTON RING KIT	2	STD	
1	AM132069	PISTON RING KIT	AR	0.50 MM (0.020") OS	
2	M138398	SNAP RING	4	(SUB FOR M140233)	
3	M138397	PISTON PIN	2		
4	M143319	PISTON	2	STD	
4	M146875	PISTON	AR	0.50 MM (0.020") OS	
5	M147310	BOLT	2	MARKED FH601V-AS17; SUB FOR PT12040	
5	M146763	BOLT	2	MARKED FH601V-BS17	
6	AM128740	CONNECTING ROD	2	(FH601V-AS17)	
6	MIA10804	CONNECTING ROD	2	(FH601V-BS17) (SUB FOR AM132025) (USE WITH MIA10964)	
7	AM132335	CRANKSHAFT	1	(FH601V-AS17)	
7	AM132429	CRANKSHAFT	1	(FH601V-BS17)	
7	AM133965	CRANKSHAFT	1	(USE WITH MIA10990)	
7	AM133931	CRANKSHAFT	1	(INCLUDES (4) M146763) (USE WITH MIA10964)	



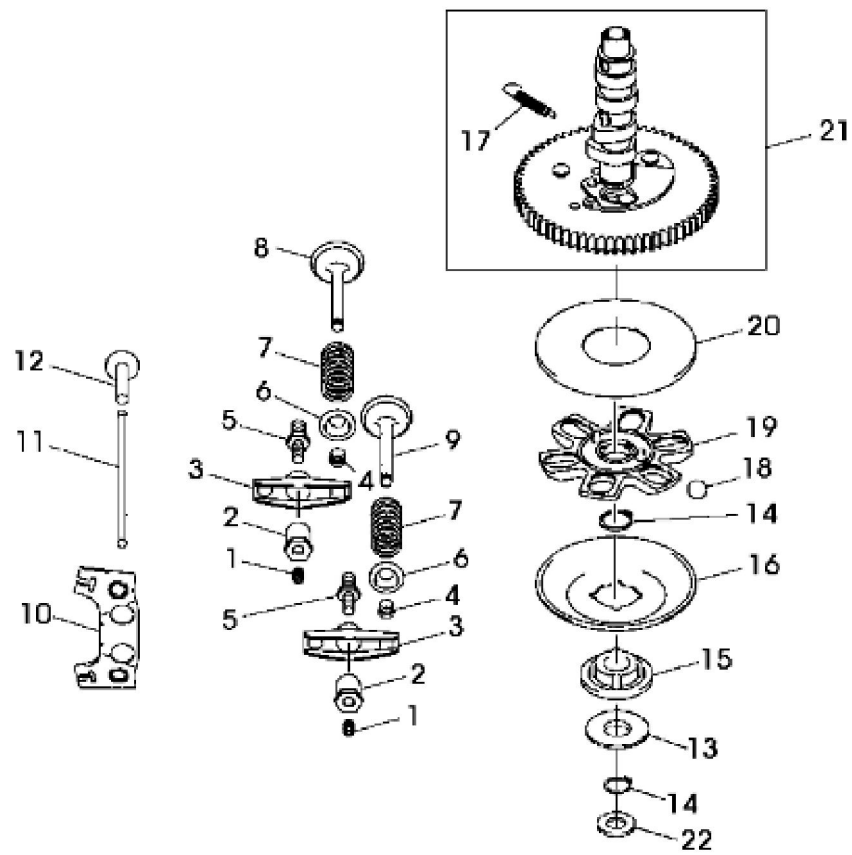
**Suggest:**

**For more complete manuals. Please go to the home page.**

**<https://www.ebooklibonline.com>**

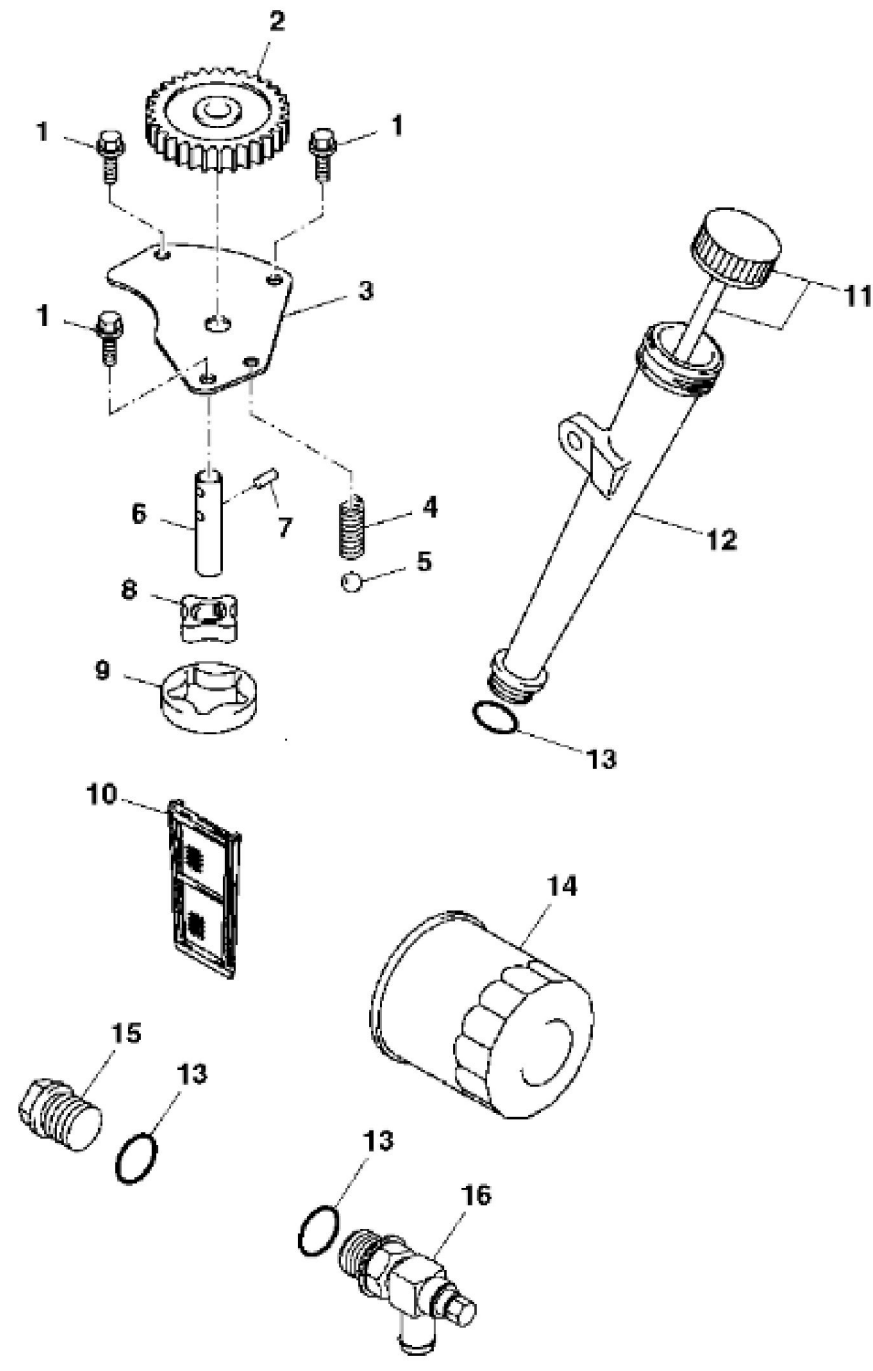
**If the above button click is invalid. Please download this document first, and then click the above link to download the complete manual.**

**Thank you so much for reading**



PU00581

KEY	PART NO.	PART NAME	QTY	REMARKS
1	M138410	SCREW	4	
2	M92891	NUT	4	
3	M146876	ROCKER ARM	4	
4	M118845	RETAINER	8	
5	M146881	BOLT	4	
6	M138401	RETAINER	4	
7	M140241	SPRING	4	
8	M140234	INTAKE VALVE	2	
9	M147596	EXHAUST VALVE	2	
10	M146877	GUIDE	2	
11	M146879	PUSH ROD	4	
12	M138403	TAPPET	4	
13	M138415	WASHER	1	
13	M146882	WASHER	1	(USE WITH MIA10964)
14	M138411	SNAP RING	2	
15	MIU10708	SLEEVE	1	NLA; ORDER MIU13044; SUB FOR M138408 OR M149875
15	MIU13044	SLEEVE	1	
16	M146880	PLATE	1	(SUB FOR M138406)
17	M138413	EXTENSION SPRING	1	
18	MIU10971	BALL BEARING	6	(SUB FOR M138412)
19	M140238	GUIDE	1	
20	M140240	PLATE	1	
21	AM130638	CAMSHAFT	1	(SUB MIA10793) (ALSO ORDER M146882 AND MIU11231)
21	MIA10793	CAMSHAFT	1	(USE WITH MIA10964)
22	MIU11231	WASHER	1	(USE WITH MIA10964)



**<https://www.ebooklibonline.com>**

Hello dear friend!

Thank you very much for reading.

Enter the link into your browser.

The full manual is available for immediate download.

**<https://www.ebooklibonline.com>**