

CYLINDER BLOCK WITH LINERS AND CAMSHAFT

KEY	PART NO.	PART NAME	QTY	REMARKS
1	CYLINDER BLOCK	1	(MARKED R504849) (ORDER RE520378)
2	RE63674	VALVE	1	KIT
3	15H695	PIPE PLUG	1	3/8"
4	RE508185	FITTING	2	1-5/8"-12UN
5	U13639	O-RING	2	
6	RE46685	FITTING PLUG	AR	M18 X 1.5
7	51M7043	O-RING	1	15.300 X 2.200 mm
8	R123616	PLUG	AR	1-5/8"-12UN X M18 X 1.5
9	R131182	ORIFICE	4	
10	RE507595	CAMSHAFT	1	(MARKED R504534)
10	SE501815	CAMSHAFT REMAN	1	(REMAN FOR RE507595)
11	R132518	PLATE	1	
12	19M8999	SCREW	2	M8 X 25
13	R48685	DOWEL PIN	4	
14	R116466	PLUG	1	
15	R119874	BUSHING	1	(ALSO ORDER TY6333)
16	T18891	PLUG	2	OD= 16 MM
17	R26650	DOWEL PIN	2	
18	R115299	BUSHING	6	
19	T20168	WASHER	10	
20	T23474	CAP SCREW	10	
21	R97185	O-RING	1	
22	R115390	BUSHING	1	(USE WITH R75892)
23	R75892	O-RING	1	(USE WITH R115390)
24	RE71255	PIPE PLUG	5	(SUB FOR R104592)
25	15H584	PIPE PLUG	1	1/2"
26	RE507807	PIPE PLUG	AR	(THREADS WITH PRE-APPLIED SEALANT)
27	AT13740	DRAIN VALVE	1	1/4"-18NPT
28	RE505501	BLEED VALVE	1	

<https://www.ebooklibonline.com>

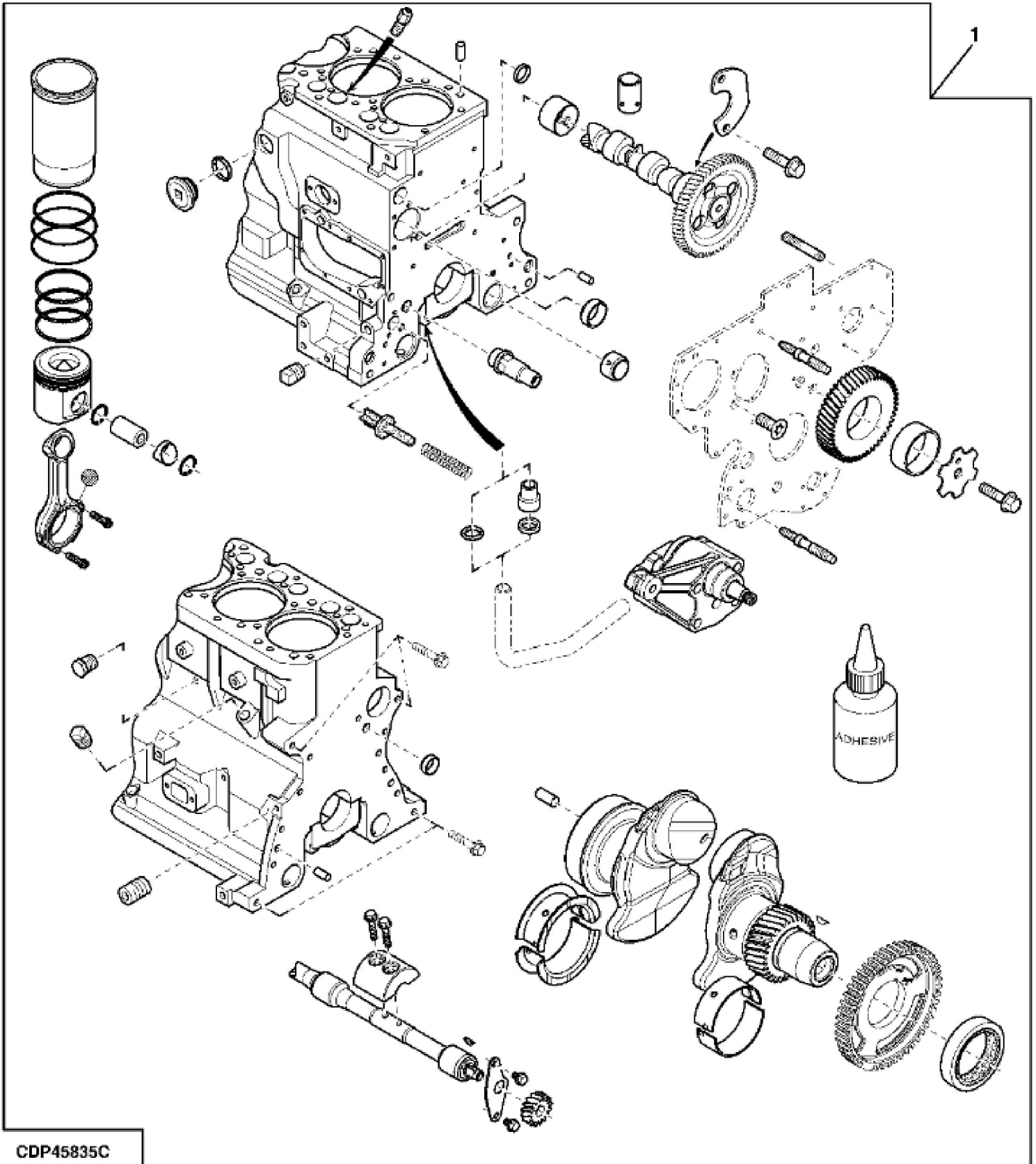
Hello dear friend!

Thank you very much for reading.

Enter the link into your browser.

The full manual is available for immediate download.

<https://www.ebooklibonline.com>



CDP45835C

John Deere > Construction And Forestry >CRAWLER LOADER >605C - CRAWLER LOADER >605C Crawler Loader >04 ENGINE 4045TF278 >0400 ENGINE 4045TF278 4045TF278 >ST35289 - 4614 SHORT BLOCK ASSEMBLY

KEY	PART NO.	PART NAME	QTY	REMARKS	
1	RE520378	SHORT BLOCK ASSEMBLY	1	(ALSO ORDER RE527042 AND DD15664)	
1	SE501073	COMPLETE BLOCK ASSY REMAN	1	BASIC DIESEL ENGINE	



Suggest:

For more complete manuals. Please go to the home page.

<https://www.ebooklibonline.com>

If the above button click is invalid. Please download this document first, and then click the above link to download the complete manual.

Thank you so much for reading

CRANKSHAFT AND BEARINGS

KEY	PART NO.	PART NAME	QTY	REMARKS
1	RE538097	SEAL	1	(SUB FOR RE516340)
2	R120631	GEAR	1	Z= 30
3	RE506195	CRANKSHAFT	1	ASSY,, (ALSO ORDER RE538097 AND RE44574) (INCLUDES R120631, R505609 AND R48685)
3	SE501656	CRANKSHAFT REMAN	1	(With Bearings) (Reman For RE506195)
4	R505609	SHAFT KEY	1	
5	R48685	DOWEL PIN	1	
6	RE44574	SEAL	1	
7	RE65165	BEARING KIT	4	(STD), (KIT R123561 AND R123562)
7	RE65911	BEARING	AR	(GRINDING GUIDELINES : SEE CTM104) US -0.254 MM, (KIT R130576 AND R130577)
8	RE65168	BEARING KIT	1	(STD), (KIT R123563 AND R123564)
8	RE65912	THRUST BEARING	AR	(GRINDING GUIDELINES : SEE CTM104) US -0.254 MM, (KIT R130574 AND R130575)
9	R517471	WHEEL	1	

<https://www.ebooklibonline.com>

Hello dear friend!

Thank you very much for reading.

Enter the link into your browser.

The full manual is available for immediate download.

<https://www.ebooklibonline.com>