

WP2517

| KEY | PART NO. | PART NAME | QTY | Serial No. | REMARKS |
|-----|----------|-----------------------------|-----|------------|-------------------------|
| 1 | 19M6614 | CAP SCREW | 7 | | M6 X 12 |
| 2 | 24M7088 | WASHER | 7 | | 6.600 X 12 X 1.600 mm |
| 3 | PT13891 | NUT | 1 | | (SUB FOR R91425) |
| 4 | R91182 | COVER | 1 | | |
| 5 | 24M7095 | WASHER | 7 | | 8.400 X 15 X 1.600 mm |
| 6 | M78923 | CYLINDER HEAD | 1 | | (SUB FOR PT13873) |
| 7 | M70281 | STUD | 1 | | (SUB 19M7295) |
| 8 | M68144 | STUD | 2 | | NLA; ORDER MIU11949 |
| 9 | M121981 | GASKET | 1 | | NLA; SUB FOR PT14137 |
| 10 | 14M7274 | NUT | 6 | | M10 |
| 11 | 24M7096 | WASHER | 6 | | 10.500 X 18 X 1.600 mm |
| 12 | PT13957 | GASKET | 1 | | NLA |
| 13 | PT13956 | COVER | 1 | | |
| 14 | PT14136 | GASKET | 1 | | NLA |
| 15 | PT13874 | BOLT | 1 | | |
| 16 | 19M6614 | CAP SCREW | 2 | | M6 X 12 |
| 17 | R91427 | COVER | 1 | | |
| 18 | M121562 | GASKET | 1 | | (SUB FOR R91428) |
| 19 | PT13909 | ENGINE CYLINDER HEAD GASKET | 1 | | |
| 20 | M121548 | GASKET | 1 | | (NLA) (SUB FOR PT13955) |
| 21 | PT13962 | PLATE | 1 | | |
| 22 | PT13882 | STUD | 1 | | |
| 23 | R91426 | CRANKCASE | 1 | | |
| 24 | M88450 | DOWEL PIN | 2 | | |
| 25 | PT14012 | GASKET | 1 | | (SUB M97291) |
| 26 | R91216 | BASE | 1 | | |
| 27 | PT14082 | DRAIN PLUG | 1 | | |
| 28 | R91217 | PLUG | 1 | | |
| 29 | R91214 | SEAL | 2 | | NLA |
| 30 | M70076 | CLAMP | 1 | | |
| 31 | PT13876 | GASKET | 1 | | |
| 31 | M113678 | GASKET | 1 | | |
| 31 | M76158 | GASKET | 1 | | |
| 31 | M88482 | GASKET | 1 | | |
| 32 | PT14207 | DRAIN PLUG | 1 | | |

<https://www.ebooklibonline.com>

Hello dear friend!

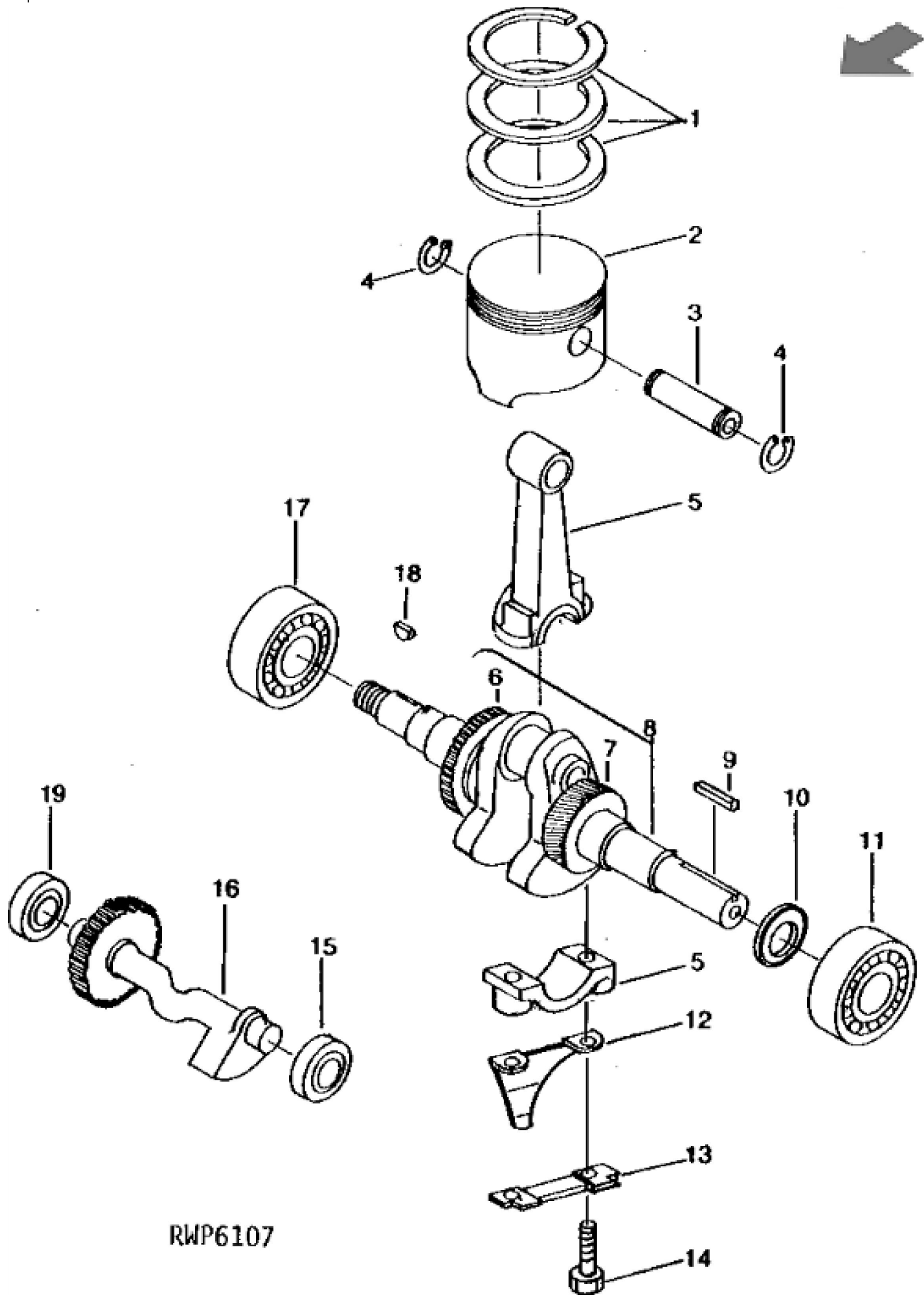
Thank you very much for reading.

Enter the link into your browser.

The full manual is available for immediate download.

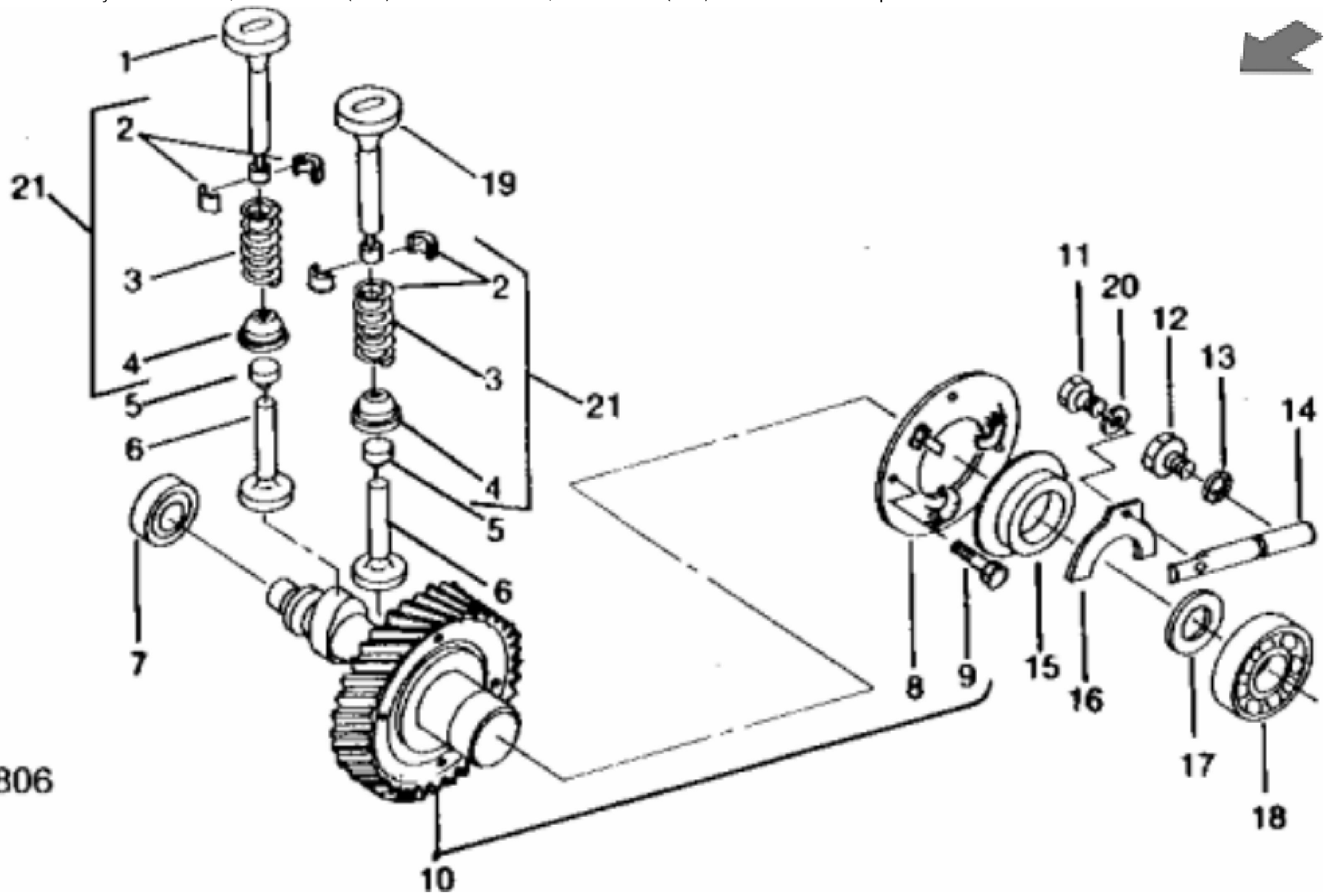
<https://www.ebooklibonline.com>

| KEY | PART NO. | PART NAME | QTY | Serial No. | REMARKS |
|-----|----------|----------------------|-----|-------------|---------------------------|
| 33 | PT12198 | O-RING | 1 | | (SUB FOR PT10377) |
| 34 | PT13925 | DIPSTICK | 1 | | (NLA) |
| 35 | R91211 | BASE | 1 | | |
| 36 | 19M6614 | CAP SCREW | 4 | | M6 X 12 |
| 37 | 21M7420 | SCREW | 4 | | M6 X 16, (SUB FOR R91437) |
| 38 | R91435 | HOLDER | 1 | | |
| 39 | PT13883 | STUD | 5 | | |
| 40 | R91183 | COVER | 1 | | |
| 41 | PT13954 | CYLINDER | 1 | | |
| 42 | 19M7295 | CAP SCREW | 6 | | M8 X 45 |
| 43 | PT14083 | DRAIN PLUG | 1 | | |
| 44 | 12H303 | LOCK WASHER | 2 | | 5/16" |
| 45 | 14M7273 | NUT | 2 | | M8 |
| 46 | 19M7323 | CAP SCREW | 10 | | M8 X 40 |
| 47 | 24M7095 | WASHER | 10 | | 8.400 X 15 X 1.600 mm |
| .. | RE28752 | GASOLINE ENGINE | 1 | ____-118372 | (SUB AM108820) |
| .. | RE32980 | GASOLINE ENGINE | 1 | 118373-____ | (SUB AM108820) |
| .. | AM108820 | SHORT BLOCK ASSEMBLY | 1 | | |



RWP6107

| KEY | PART NO. | PART NAME | QTY | REMARKS |
|-----|----------|-----------------|-----|--|
| 1 | PT13993 | PISTON RING KIT | 1 | STANDARD |
| 1 | PT13911 | PISTON RING KIT | AR | 0.25 MM (0.010"), OVERSIZE |
| 1 | PT13912 | PISTON RING KIT | AR | 0.50 MM (0.020"), (NLA) OVERSIZE |
| 2 | PT13994 | PISTON | 1 | STANDARD |
| 2 | PT13913 | PISTON | AR | 0.25 MM (0.010"), OVERSIZE |
| 2 | PT13914 | PISTON | AR | 0.50 MM (0.020"), (NLA) OVERSIZE |
| 3 | PT13995 | PISTON PIN | 1 | NLA |
| 4 | PT13893 | SNAP RING | 2 | |
| 5 | PT14004 | CONNECTING ROD | 1 | |
| 6 | PT14008 | GEAR | 1 | |
| 6 | M88487 | SHAFT KEY | 1 | NLA; SUB M77843 |
| 7 | PT13996 | GEAR | 1 | |
| 7 | M88487 | SHAFT KEY | 1 | NLA; SUB M77843 |
| 8 | RE30565 | CRANKSHAFT | 1 | |
| 9 | R91209 | KEY | 1 | |
| 10 | AM106652 | SHIM | 1 | CONTAINS SHIMS FROM 1.05 MM (0.004") TO 1.70 MM (0.067") THICK |
| 11 | M70233 | BEARING | 1 | (SUB CH15035) |
| 12 | PT14006 | ARM | 1 | NLA |
| 13 | PT14005 | LOCK WASHER | 1 | NLA |
| 14 | PT14037 | BOLT | 2 | NLA |
| 15 | M800496 | BALL BEARING | 1 | (SUB FOR PT14205) |
| 16 | PT14007 | BALANCER | 1 | |
| 17 | M70233 | BEARING | 1 | (SUB CH15035) |
| 18 | M88487 | SHAFT KEY | 1 | NLA; SUB M77843 |
| 19 | PT10382 | BALL BEARING | 1 | (SUB M802355) |
| 20 | AM116775 | ARM KIT | 1 | NLA; Not Illustrated; INCLUDES PT14005, PT14006 and PT14037 |



WP2806



Suggest:

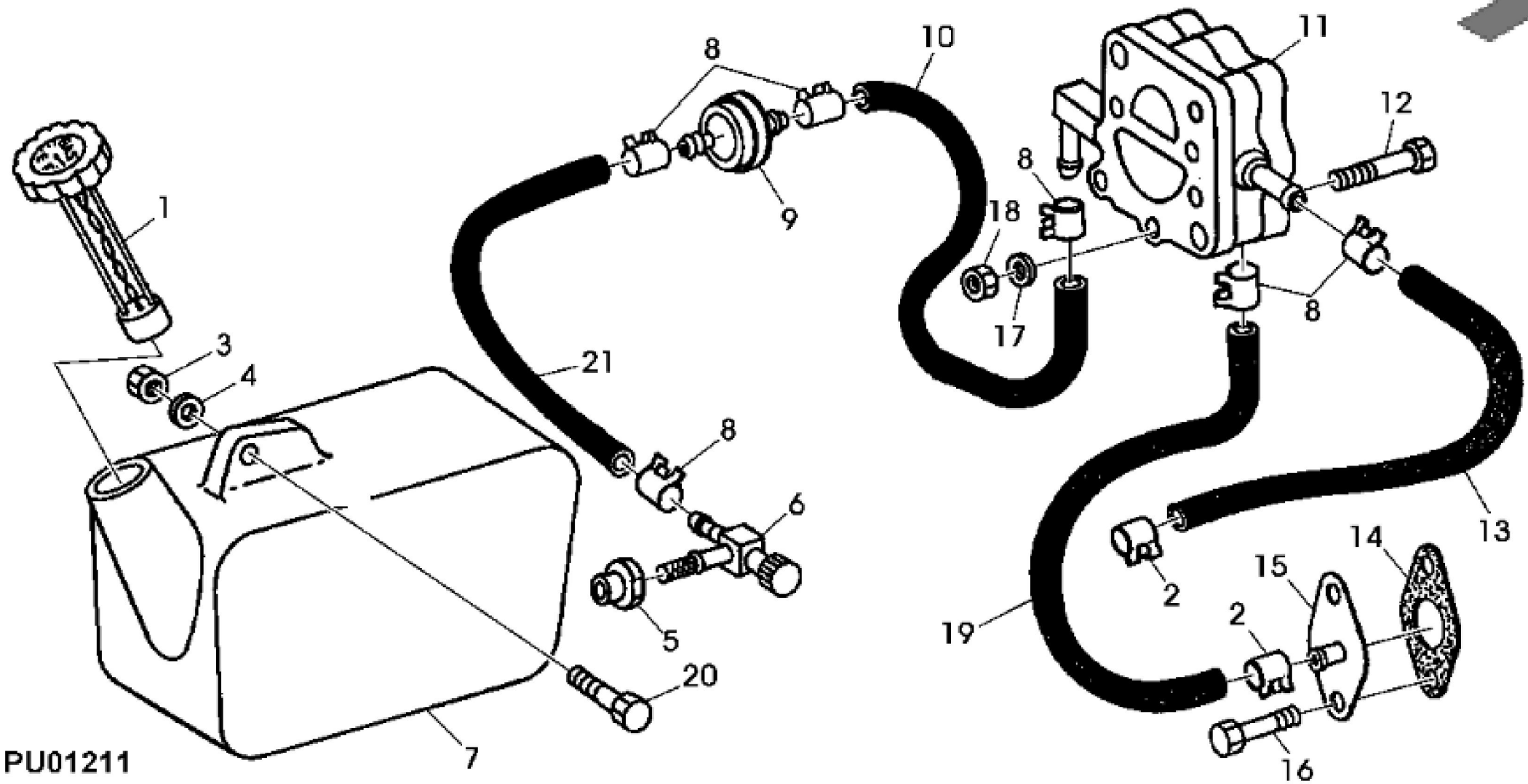
For more complete manuals. Please go to the home page.

<https://www.ebooklibonline.com>

If the above button click is invalid. Please download this document first, and then click the above link to download the complete manual.

Thank you so much for reading

| KEY | PART NO. | PART NAME | QTY | Serial No. | REMARKS |
|-----|----------|---------------|-----|-------------|--|
| 1 | PT14036 | EXHAUST VALVE | 1 | | (NLA) |
| 2 | M78929 | RETAINER | 4 | | (SUB FOR PT13895) (SUB AM116773) |
| 3 | PT13905 | SPRING | 2 | | (SUB AM116773) |
| 4 | PT13896 | PLATE | 2 | | (SUB AM116773) |
| 5 | AM106592 | CAP KIT | 1 | | CONTAINS CAPS FROM 2.70 MM (.106") TO 3.65 MM (.144") THICK |
| 6 | PT13964 | TAPPET | 2 | | |
| 7 | M800496 | BALL BEARING | 1 | | (SUB FOR PT14205) |
| 8 | | GOVERNOR | 1 | ____-118372 | (12) WEIGHTS, (SUB RE32787 AND R93021) |
| 8 | RE32787 | GOVERNOR | 1 | 118373-____ | (6) WEIGHTS |
| 9 | 21M7265 | SCREW | 3 | | M5 X 12, (ALSO ORDER (3) 12M7064) |
| 10 | AW26676 | GEAR | 1 | | |
| 11 | 21M1247 | SCREW | 2 | | M4 X 8 |
| 12 | PT10191 | BOLT | 1 | | NLA |
| 13 | PT10059 | GASKET | 1 | | |
| 14 | PT14016 | SHAFT | 1 | | |
| 15 | PT14014 | SLEEVE | 1 | | |
| 16 | PT14015 | ARM | 1 | | |
| 17 | AM106593 | SHIM | 1 | | CONTAINS SHIMS FROM 1.05 MM (0.040") TO 1.70 MM (0.067") THICK |
| 18 | CH14887 | BALL BEARING | 1 | | (SUB FOR PT12196) |
| 19 | PT13963 | INTAKE VALVE | 1 | | |
| 20 | 12M7063 | LOCK WASHER | 2 | | 4 mm |
| 21 | AM116773 | VALVE KIT | 2 | | |



PU01211

<https://www.ebooklibonline.com>

Hello dear friend!

Thank you very much for reading.

Enter the link into your browser.

The full manual is available for immediate download.

<https://www.ebooklibonline.com>