

TP25215

KEY	PART NO.	PART NAME	QTY	REMARKS
1	R55233	PIPE PLUG	1	
2	R48685	DOWEL PIN	2	(SUB FOR R26241, THIS APPLICATION)
3	R39741	DRAIN PLUG	1	(WITHOUT ENGINE COOLANT HEATER)
4	U13639	O-RING	1	(WITHOUT ENGINE COOLANT HEATER)
5	RE57836	PIPE PLUG	1	1/2", (SUB FOR 15H561)
6	T25701	STUD	1	
6	R122226	STUD	1	(SUB FOR R122226)
7	T18891	PLUG	2	
8	R57160	BUSHING	6	
9	R26650	DOWEL PIN	2	
10	T23474	CAP SCREW	10	
11	T20168	WASHER	10	
12	R65215	BEARING CAP	4	
13	R79089	CAP	1	
14	R54802	ORIFICE	4	
15	R48685	DOWEL PIN	2	
16	CYLINDER BLOCK	1	(SUB RE31517, R91878 AND (18) R85363)
17	15H558	PIPE PLUG	5	1/8"
18	15H562	PIPE PLUG	1	1"
19	RE31517	CYLINDER BLOCK	1	(MARKED R90170) (SUB FOR AR97774, MARKED R78556 AND RE25613, MARKED R78556) (SUB RE50671) (ALSO ORDER (18) R85363, R125863, R83169, T27658, R111135, R111137 AND R112867)

<https://www.ebooklibonline.com>

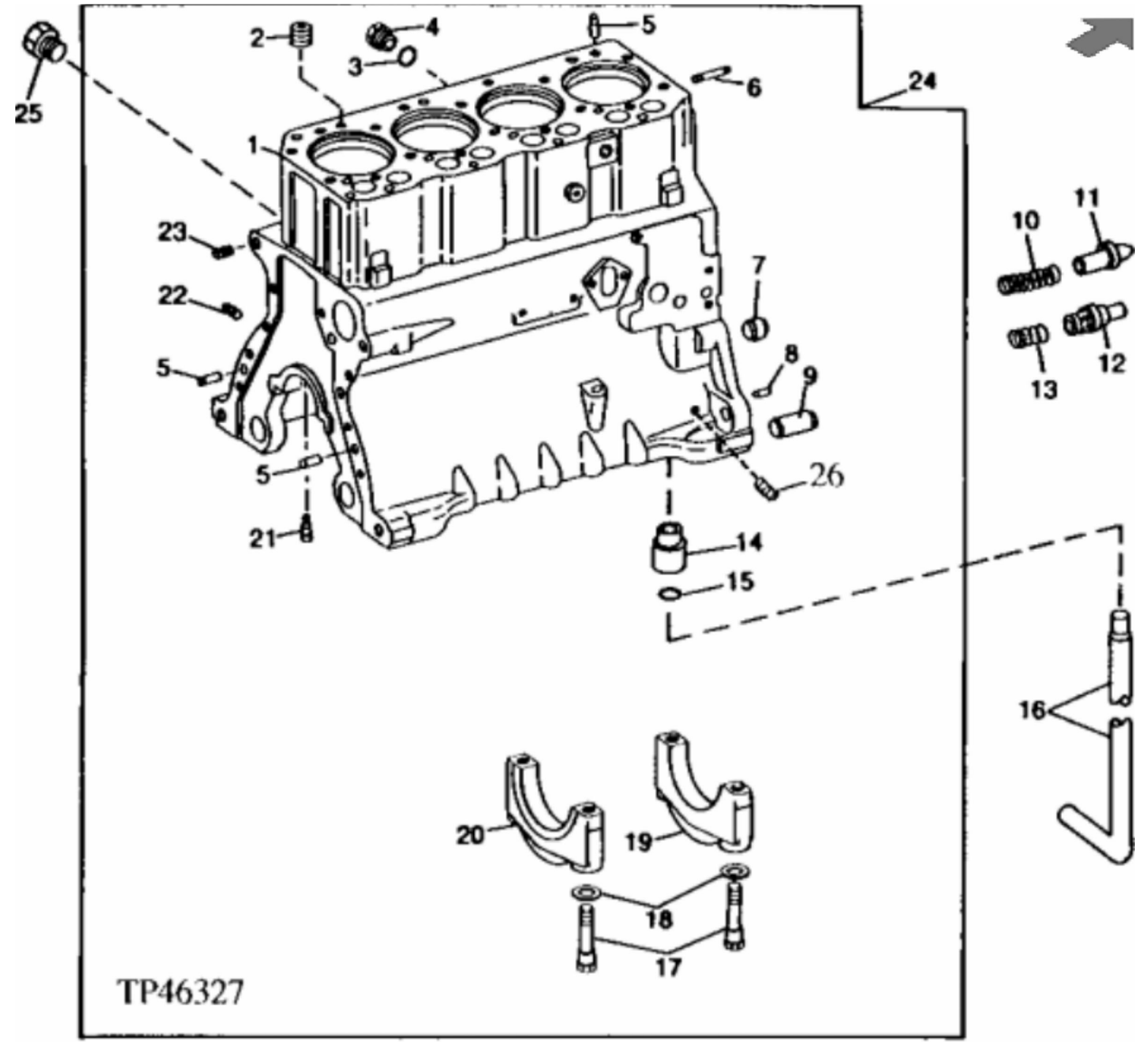
Hello dear friend!

Thank you very much for reading.

Enter the link into your browser.

The full manual is available for immediate download.

<https://www.ebooklibonline.com>



TP46327

John Deere > Construction And Forestry >CRAWLER LOADER >555B - CRAWLER LOADER >555B Crawler Loader >4 ENGINE 4 >CYLINDER BLOCK 0404 >0404-2 - REPLACEMENT CYLINDER BLOCK AND MAIN BEARING CAPS [01E13]

KEY	PART NO.	PART NAME	QTY	REMARKS
1	CYLINDER BLOCK	1	
2	RE57836	PIPE PLUG	1	1/2", (SUB FOR 15H561) (WITHOUT TURBOCHARGER)
3	U13639	O-RING	1	(WITHOUT ENGINE COOLANT HEATER)
4	R39741	DRAIN PLUG	1	(WITHOUT ENGINE COOLANT HEATER)
5	R48685	DOWEL PIN	2	
6	T25701	STUD	1	
6	R122226	STUD	2	(SUB FOR R122226)
7	R26493	BUSHING	1	
8	R26650	DOWEL PIN	2	
9	R57160	BUSHING	6	
10	T27658	SPRING	1	
11	R83169	VALVE	1	
12	R111135	VALVE	1	
13	R111137	SPRING	1	
14	R115390	BUSHING	1	
15	R97185	O-RING	1	
16	R112867	OIL TUBE	1	ENGINE OIL PUMP
17	T23474	CAP SCREW	10	
18	T20168	WASHER	10	
19	R65215	BEARING CAP	4	
20	R79089	CAP	1	
21	R54802	ORIFICE	4	
22	R104592	PIPE PLUG	5	
23	15H562	PIPE PLUG	1	1"
24	RE50671	CYLINDER BLOCK	1	(MARKED R108755 OR R124851) (ALSO ORDER (18) R85363, R83169, T27658, R111135, R111137 AND R112867)
25	R55233	PIPE PLUG	1	



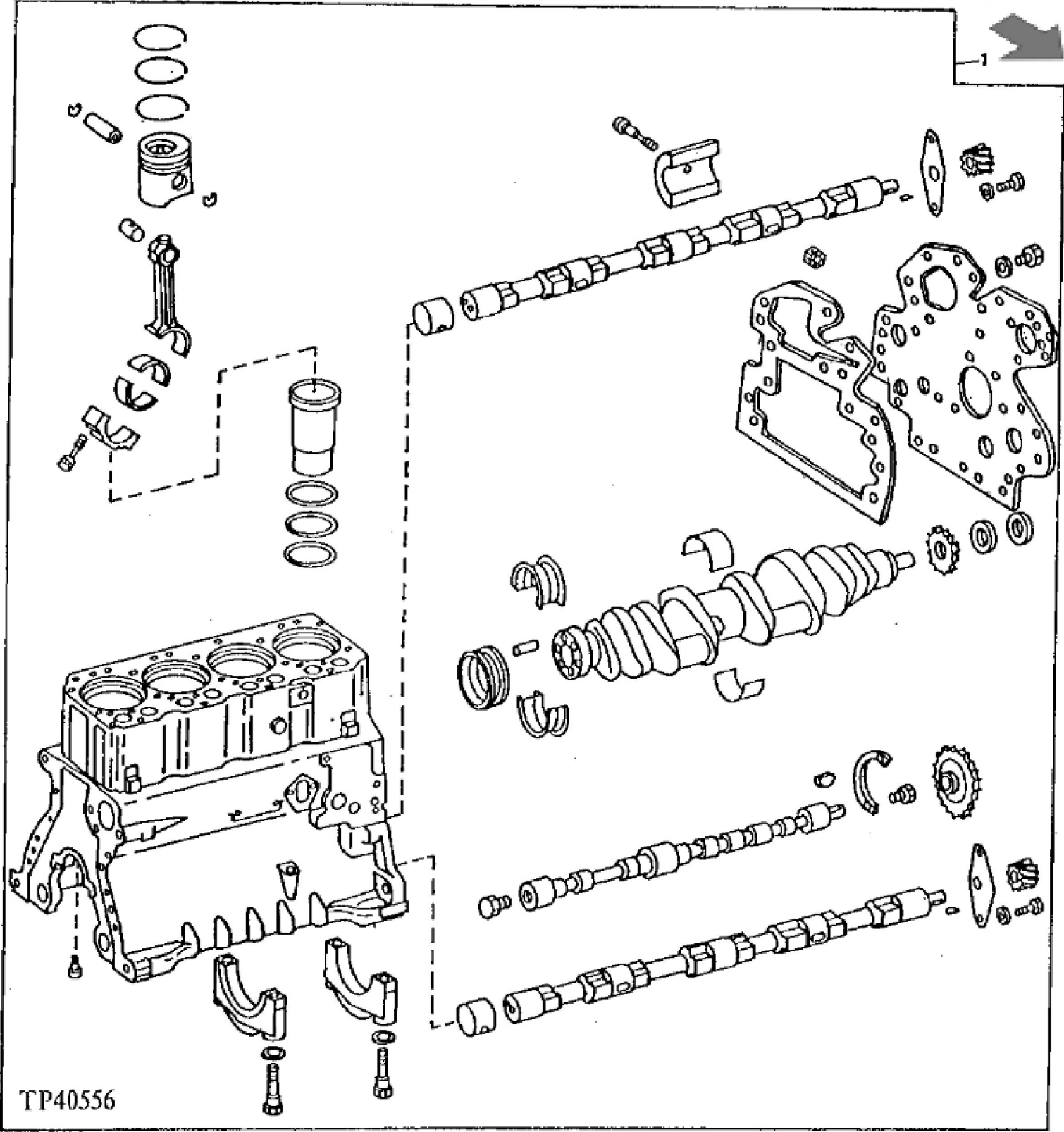
Suggest:

For more complete manuals. Please go to the home page.

<https://www.ebooklibonline.com>

If the above button click is invalid. Please download this document first, and then click the above link to download the complete manual.

Thank you so much for reading



KEY	PART NO.	PART NAME	QTY	REMARKS	
1	RE31512	SHORT BLOCK ASSEMBLY	1	(MARKED R90170) (SUB RE50668, R83169, T27658 AND R112867)	

<https://www.ebooklibonline.com>

Hello dear friend!

Thank you very much for reading.

Enter the link into your browser.

The full manual is available for immediate download.

<https://www.ebooklibonline.com>