

TP11036

KEY	PART NO.	PART NAME	QTY	REMARKS
1A	AT13740	DRAIN VALVE	1	
1B	R55233	PIPE PLUG	1	
2	R48685	DOWEL PIN	2	(SUB FOR R26241, THIS APPLICATION)
3	T25701	STUD	1	
4	R39741	DRAIN PLUG	1	(WITHOUT ENGINE COOLANT HEATER)
5	R26650	DOWEL PIN	2	
6	R54802	ORIFICE	4	
7	R48685	DOWEL PIN	2	
8	CYLINDER BLOCK	1	
9	R79089	CAP	1	(SUB FOR AR82295)
10	T20168	WASHER	10	
11	T23474	CAP SCREW	10	
12	R65215	BEARING CAP	4	(SUB FOR AR82294)
13	T18891	PLUG	2	
14	15H690	PIPE PLUG	1	3/4", (AS REQUIRED)
14	15H562	PIPE PLUG	1	1", (AS REQUIRED)
15	15H558	PIPE PLUG	5	1/8", (SUB FOR RE12310)
16	R27003	WASHER	1	
17	19H1895	CAP SCREW	1	1/2" X 3/4"
18	U13639	O-RING	1	(WITHOUT ENGINE COOLANT HEATER)
19	RE31517	CYLINDER BLOCK	1	(MARKED R90170) (SUB FOR AR97774, MARKED R73657 OR R78558) (SUB RE50671) (ALSO ORDER R83169, T27658, R111135, R111137, R112867, R125863 AND (18) R85363)

<https://www.ebooklibonline.com>

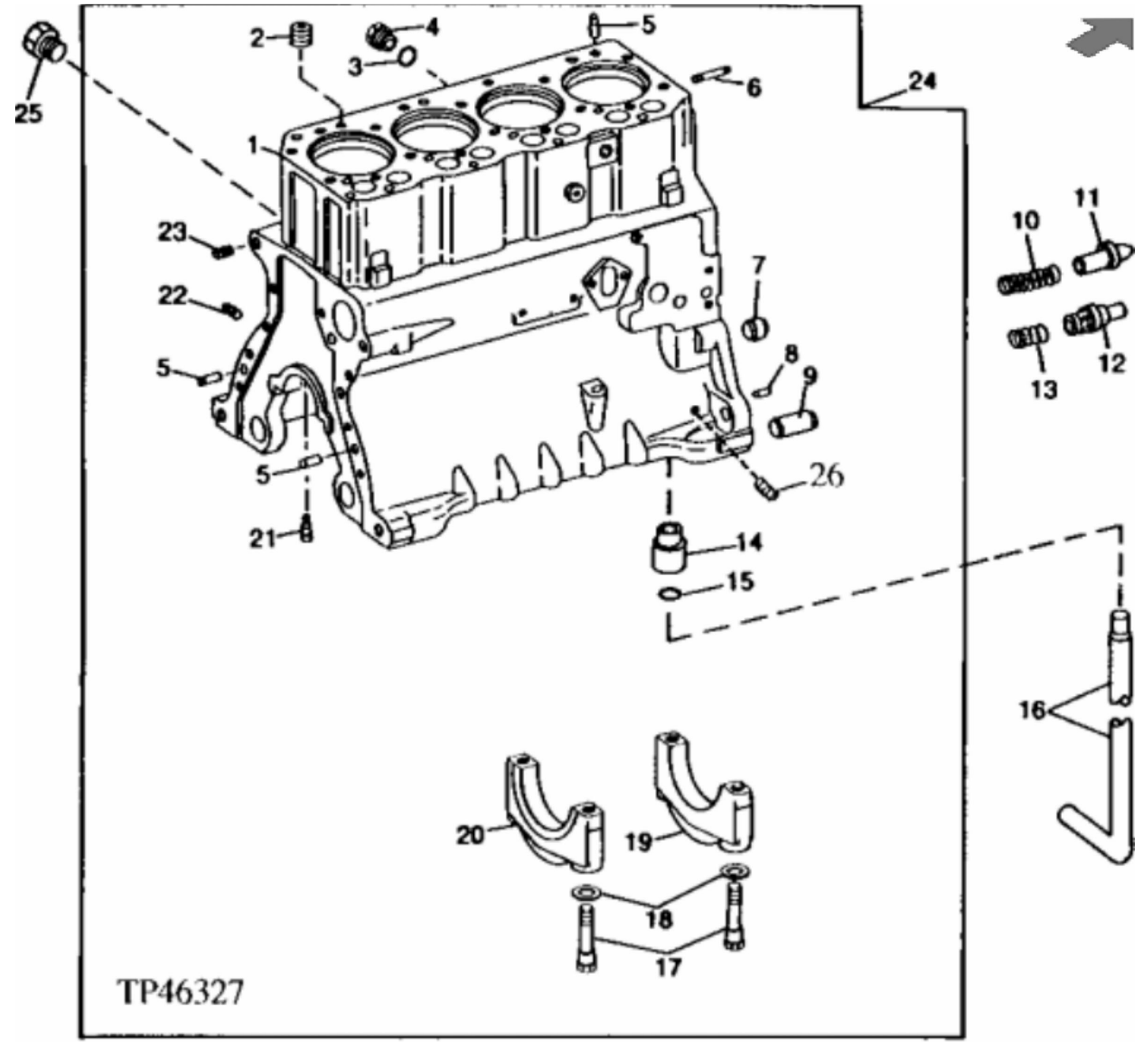
Hello dear friend!

Thank you very much for reading.

Enter the link into your browser.

The full manual is available for immediate download.

<https://www.ebooklibonline.com>



TP46327

John Deere > Construction And Forestry >CRAWLER LOADER >555A - CRAWLER LOADER >555A Crawler Loader >4 ENGINE 4 >CYLINDER BLOCK 0404 >0404-2 - REPLACEMENT CYLINDER BLOCK AND MAIN BEARING CAPS [01D24]

KEY	PART NO.	PART NAME	QTY	REMARKS
1	CYLINDER BLOCK	1	
2	15H561	PIPE PLUG	1	1/2", (WITHOUT TURBOCHARGER)
3	U13639	O-RING	1	(WITHOUT ENGINE COOLANT HEATER)
4	R39741	DRAIN PLUG	1	(WITHOUT ENGINE COOLANT HEATER)
5	R48685	DOWEL PIN	4	
6	T25701	STUD	1	
6	R122226	STUD	1	(SUB FOR R122226)
7	R26493	BUSHING	1	
8	R26650	DOWEL PIN	2	
9	R57160	BUSHING	6	
10	T27658	SPRING	1	
11	R83169	VALVE	1	
12	R111135	VALVE	1	
13	R111137	SPRING	1	
14	R115390	BUSHING	1	
15	R97185	O-RING	1	
16	R112867	OIL TUBE	1	ENGINE OIL PUMP
17	T23474	CAP SCREW	10	
18	T20168	WASHER	10	
19	R65215	BEARING CAP	4	
20	R79089	CAP	1	
21	R54802	ORIFICE	4	
22	R104592	PIPE PLUG	5	
23	15H562	PIPE PLUG	1	1"
24	RE50671	CYLINDER BLOCK	1	(MARKED R108755 OR R124851) (ALSO ORDER R83169, T27658, R111135, R111137 AND R112867)
25	R55233	PIPE PLUG	1	DRAIN



Suggest:

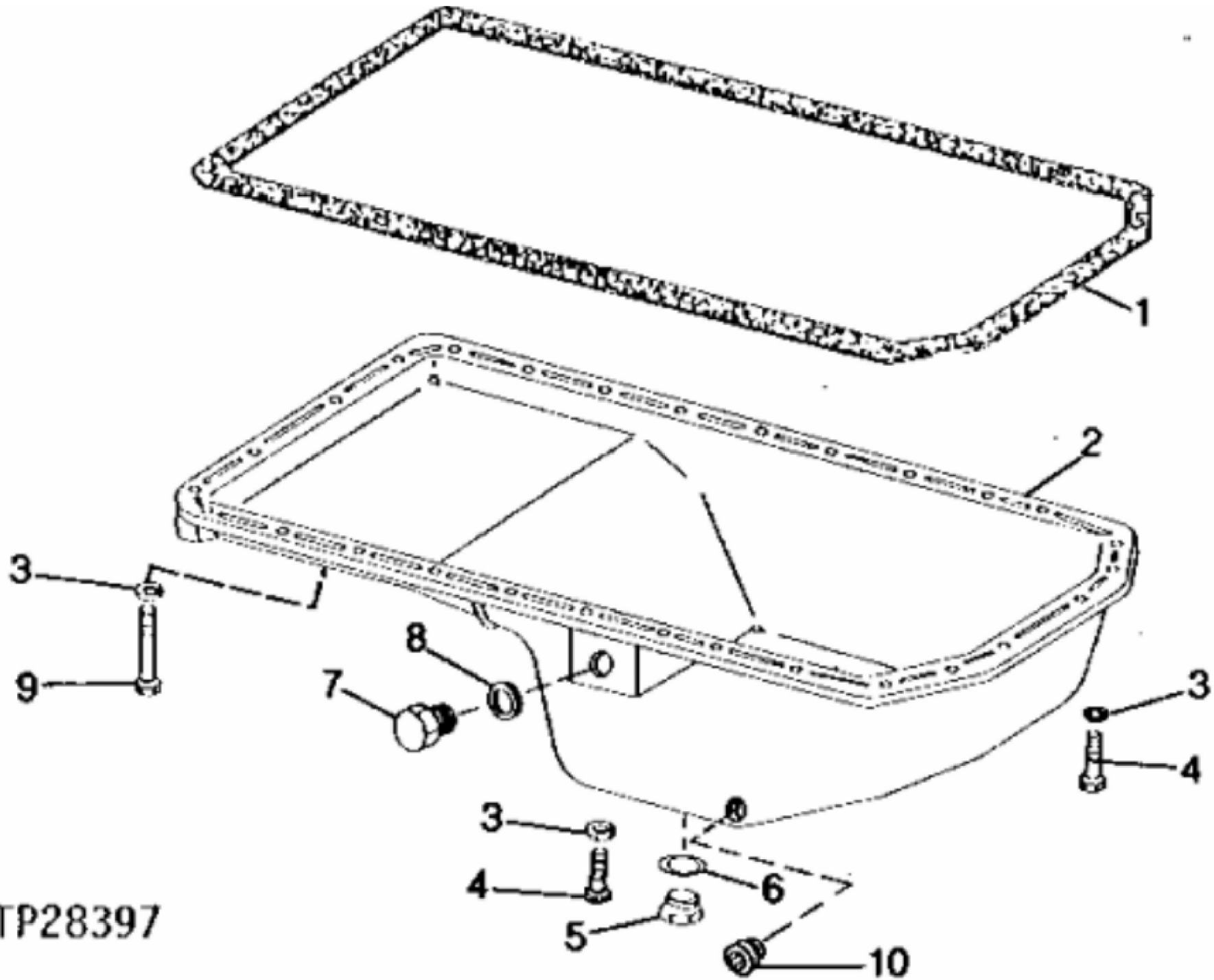
For more complete manuals. Please go to the home page.

<https://www.ebooklibonline.com>

If the above button click is invalid. Please download this document first, and then click the above link to download the complete manual.

Thank you so much for reading

KEY	PART NO.	PART NAME	QTY	REMARKS
1	AR69686	DIPSTICK	1	
2	R60357	ANGLE	1	
3	14H812	NUT	2	3/8"
4	12H304	LOCK WASHER	30	3/8"
5	T28862	CLAMP	2	(SUB FOR (2) T29299)
6	AR77020	TUBE	1	
7	19H1648	CAP SCREW	2	3/8" X 3/4"
8	R59395	BRACKET	1	
9	24H1304	WASHER	1	13/32" X 23/32" X 0.120"
10	19H2700	CAP SCREW	1	3/8" X 4-1/2"
11	F3353R	O-RING	1	
12	19H3217	CAP SCREW	4	3/8" X 1-3/4"
13	T13213	WASHER	1	
14	M1746T	DRAIN PLUG	1	
15	19H3239	CAP SCREW	23	3/8" X 1-1/4"
16	R54650	OIL PAN	1	
17	R49515	GASKET	1	
18	19H1895	CAP SCREW	1	1/2" X 3/4"
19	24H1302	WASHER	2	13/32" X 11/16" X 0.035"
20	19H3065	CAP SCREW	1	3/8" X 2"



TP28397

<https://www.ebooklibonline.com>

Hello dear friend!

Thank you very much for reading.

Enter the link into your browser.

The full manual is available for immediate download.

<https://www.ebooklibonline.com>