

KEY	PART NO.	PART NAME	QTY	REMARKS
1	4410245	CORE	1	SUB FOR 4377448 OR TH4377448
2	4231888	FILLER CAP	1	SUB FOR AT122559
3	4248510	DRAIN PLUG	1	SUB FOR TH4248510
4	4206316	RADIATOR HOSE	1	SUB FOR TH4206316
5	4143888	HOSE CLAMP	1	SUB FOR TH4143888
6	4379474	SHROUD	1	SUB FOR TH4379474
7	19M7662	CAP SCREW	12	M10 X 30
7	12M7066	LOCK WASHER	12	10 mm
7	24M7028	WASHER	12	10.500 X 20 X 2 mm
8	4379472	GUARD	1	SUB FOR TH4379472
9	4296257	OIL COOLER	1	SUB FOR TH4296257
10	19M7662	CAP SCREW	8	M10 X 30
10	12M7066	LOCK WASHER	8	10 mm
10	24M7028	WASHER	8	10.500 X 20 X 2 mm
11	4252612	ISOLATOR	2	SUB FOR TH4252612
12	4325442	SCREEN	1	SUB FOR TH4325442
13	21M1690	WING SCREW	2	M6 X 16
14	4252614	ISOLATOR	4	SUB FOR TH4252614
15	4257370	SHIM	1	SUB FOR TH4257370
16	T116304	BOLT	4	SUB FOR TH4297797 OR 4297797
16	24M7047	WASHER	4	13 X 24 X 2.500 mm
16	12M7067	LOCK WASHER	4	12 mm
17	4252615	ISOLATOR	8	SUB FOR TH4252615
18	4259787	SWITCH	1	Level Switch Not Illustrated

**<https://www.ebooklibonline.com>**

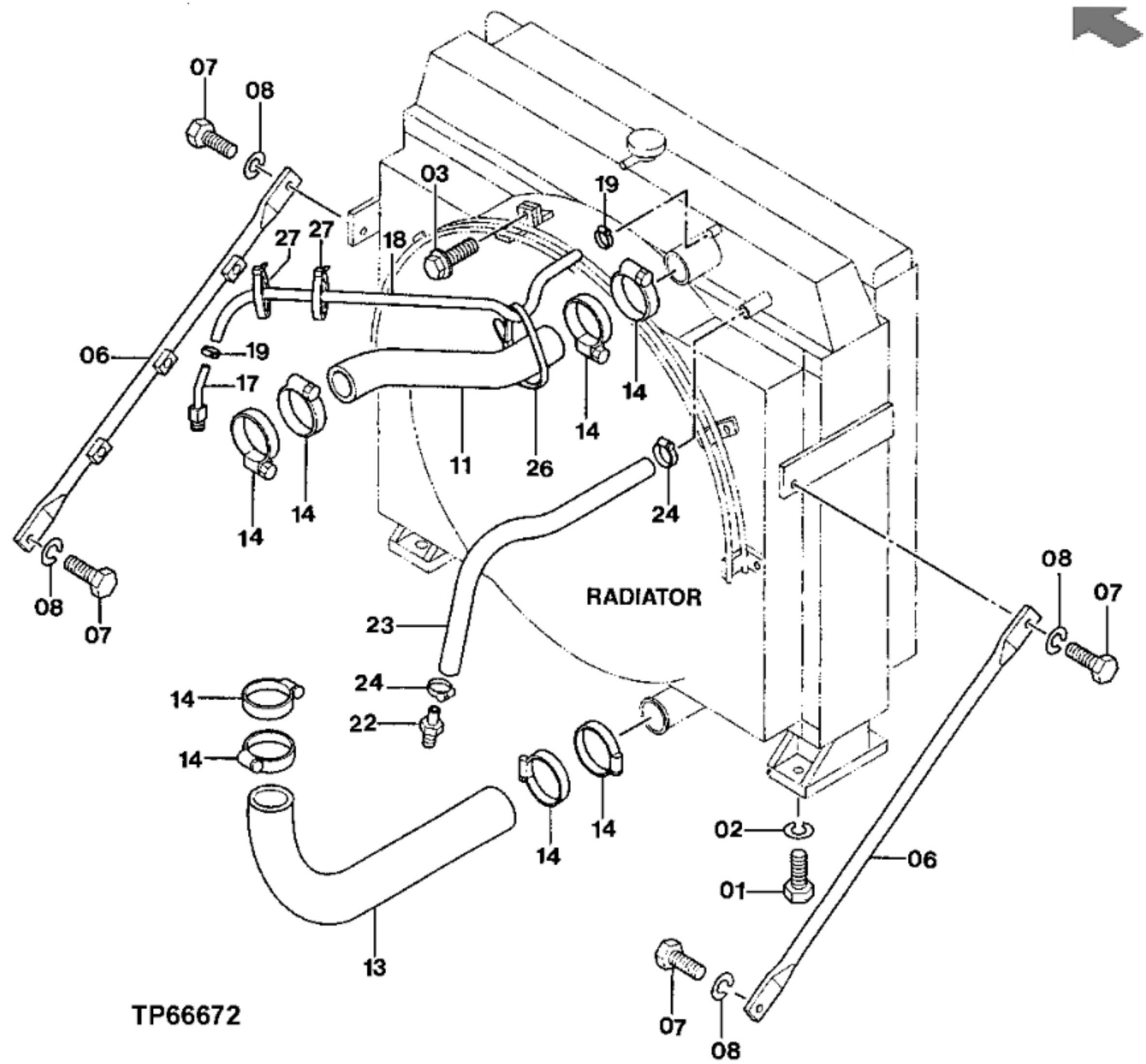
Hello dear friend!

Thank you very much for reading.

Enter the link into your browser.

The full manual is available for immediate download.

**<https://www.ebooklibonline.com>**



TP66672

John Deere > Construction And Forestry > EXCAVATOR > 550LC - EXCAVATOR > 550LC Excavator > 05 ENGINE AUXILIARY SYSTEM > 0510 ENGINE COOLING SYSTEMS > ST266783 - RADIATOR, HOSES AND SUPPORTS

KEY	PART NO.	PART NAME	QTY	REMARKS
1	19M7409	CAP SCREW	4	M16 X 50
2	12H294	LOCK WASHER	4	5/8"
3	19M7402	CAP SCREW	6	M10 X 25
3	12M7066	LOCK WASHER	6	10 mm
3	24M7028	WASHER	6	10.500 X 20 X 2 mm
6	8061397	BRACE	2	(SUB FOR TH8061397)
7	19M8035	CAP SCREW	4	M16 X 35
8	12H294	LOCK WASHER	4	5/8"
11	4382251	RADIATOR HOSE	1	(SUB FOR TH4382251)
13	4292043	RADIATOR HOSE	1	(SUB FOR TH4292043)
14	TY22473	CLAMP	8	(SUB FOR AR62936)
17	4224198	FITTING	1	(SUB FOR TH4224198)
18	4375133	RADIATOR HOSE	1	(SUB FOR TH4375133)
19	TY22462	CLAMP	2	(SUB FOR AR48236)
22	4222380	FITTING	1	(SUB FOR TH4222380)
23	.....	BULK HOSE	1	700mm , (SUB FOR TH4222645 OR 4222645)(MAKE FROM TY24403, CUT TO LENGTH 700MM (2))
24	TY22467	CLAMP	2	
26	H77698	TIE BAND	1	
27	H77698	TIE BAND	2	



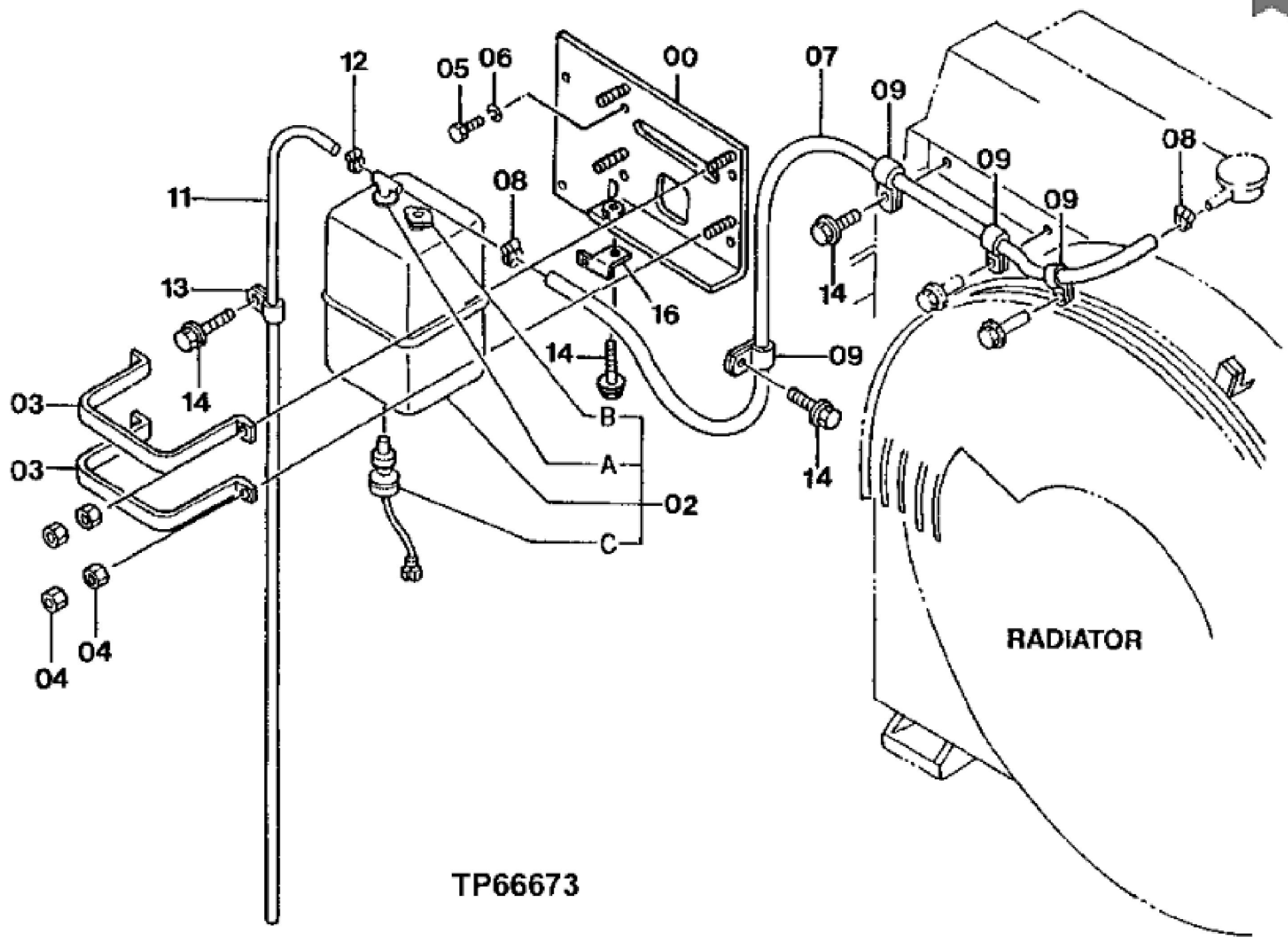
**Suggest:**

**For more complete manuals. Please go to the home page.**

**<https://www.ebooklibonline.com>**

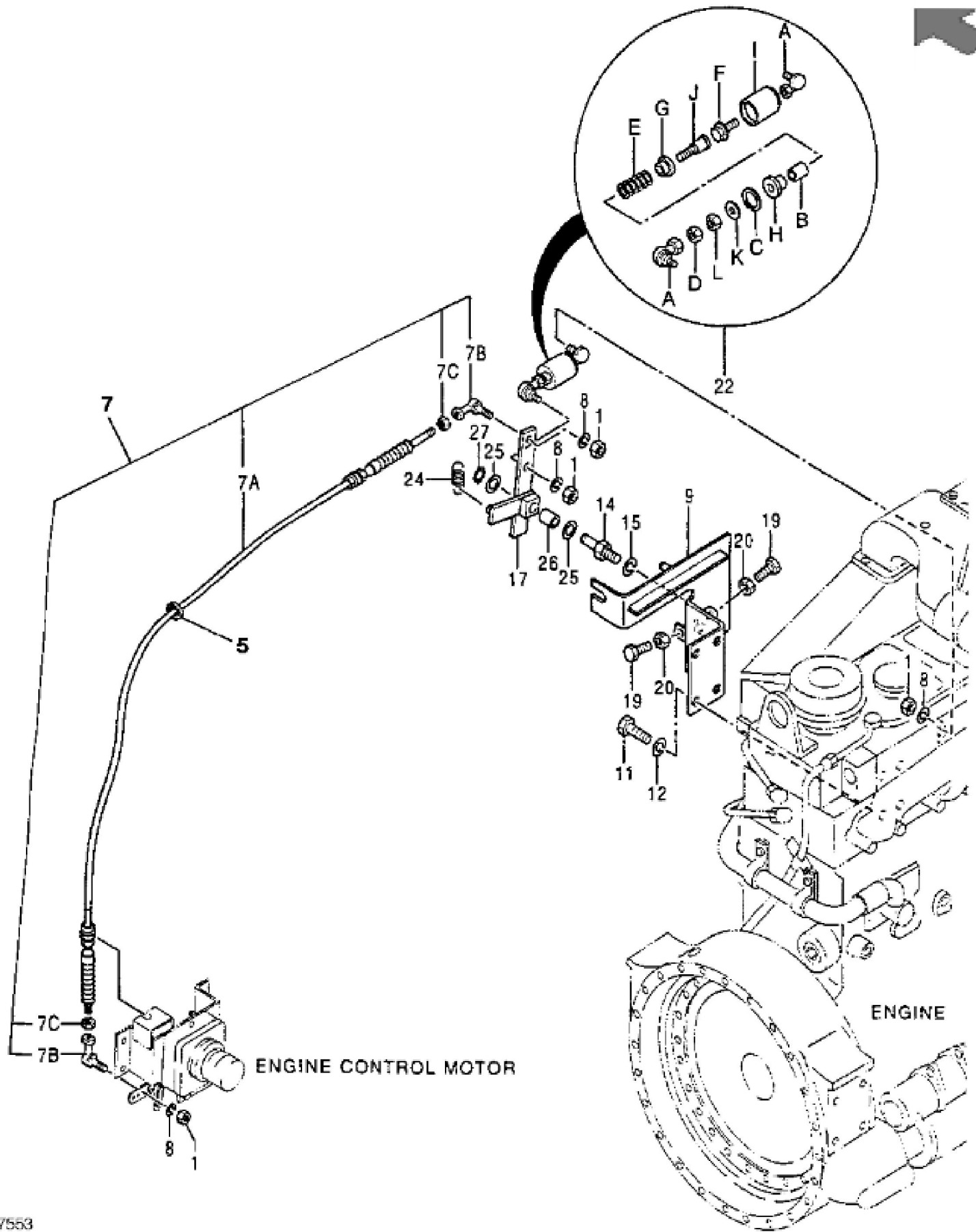
**If the above button click is invalid. Please download this document first, and then click the above link to download the complete manual.**

**Thank you so much for reading**



TP66673

KEY	PART NO.	PART NAME	QTY	REMARKS
0	8060946	BRACKET	1	(SUB FOR TH8060946)
2	4414411	TANK	1	(SUB FOR TH4184198)
2A	4414475	CAP	1	(SUB FOR TH4234534)
2B	4414476	CAP	1	(SUB FOR TH4234535)
2C	4234536	SWITCH	1	(SUB FOR AT131966)
3	4222379	HALF CLAMP	2	(SUB FOR TH4222379)
4	14M7274	NUT	8	M10
5	19M7402	CAP SCREW	4	M10 X 25
6	12M7066	LOCK WASHER	4	10 mm
7	.....	RADIATOR HOSE	1	CUT TO 1160mm FROM BULK , Furnish, (TY25195) (SUB FOR TH4294375)
8	TY22464	CLAMP	2	(SUB FOR AR21836)
9	AH79175	CLIP	4	(SUB FOR TH108600 OR 4190272)
11	.....	BULK HOSE	1	BULK MATERIAL CTL 1500mm , Furnish, (SUB FOR TH4194931, 4194931) (4353956 NLA) (PMK010-0406)
12	TY22462	CLAMP	1	(SUB FOR AR48236)
13	T30367	CLAMP	1	
14	19M7402	CAP SCREW	4	M10 X 25
14	12M7066	LOCK WASHER	4	10 mm
16	4257159	BRACKET	1	(SUB FOR AT154243)



**<https://www.ebooklibonline.com>**

Hello dear friend!

Thank you very much for reading.

Enter the link into your browser.

The full manual is available for immediate download.

**<https://www.ebooklibonline.com>**