

KEY	PART NO.	PART NAME	QTY	REMARKS
1	T42687	BUSHING	2	
2	AT40189	COVER	1	(SUB T41186 AND (2) T42687)
3	19H1805	CAP SCREW	8	1/2" X 2-1/4"
4	12H301	LOCK WASHER	8	1/2"
5	19H2676	CAP SCREW	1	3/8" X 1"
6	12H304	LOCK WASHER	10	3/8"
7	19H1726	CAP SCREW	6	3/8" X 2-1/4"
8	T41188	COVER	1	REAR TOP (ALSO USE T43514, 59 ML (2 OZ) BOTTLE OF PLASTIC GASKET
9	T20757	PLUG	1	
10	19H2664	CAP SCREW	3	5/16" X 3/4", (WITHOUT WINCH DRIVE)
11	12H303	LOCK WASHER	3	5/16", (WITHOUT WINCH DRIVE)
12	T15070	COVER	1	(WITHOUT WINCH DRIVE)
13	T12405	GASKET	1	(WITHOUT WINCH DRIVE)
14	T45617	HOUSING	1	
15	T18621	DOWEL PIN	4	
16	19H2735	CAP SCREW	4	1/2" X 2"
17	T21655	PIN	4	
18	19H2473	CAP SCREW	12	1/2" X 1-3/4"
18	TY9371	SEALANT	1	(ON ALL ATTACHING HARDWARE SPIRAL BEVEL HOUSING TO POWER SHIFT HOUSING)
19	19H2644	CAP SCREW	3	1/2" X 2-1/2"
20	19H2633	CAP SCREW	3	3/8" X 1-1/2"

<https://www.ebooklibonline.com>

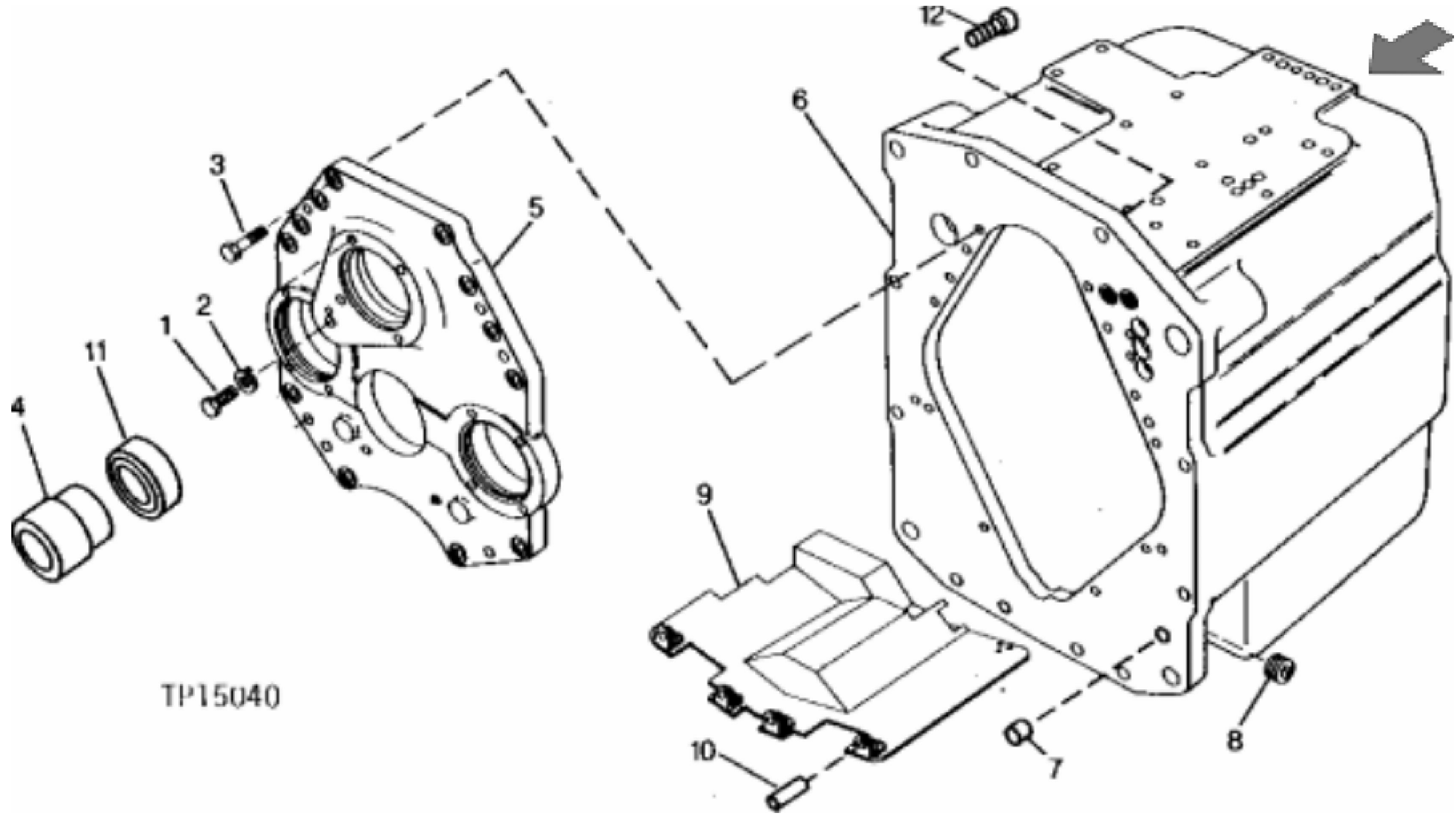
Hello dear friend!

Thank you very much for reading.

Enter the link into your browser.

The full manual is available for immediate download.

<https://www.ebooklibonline.com>



TP15040

John Deere > Construction And Forestry >BULLDOZER >550B - BULLDOZER >550B Crawler Bulldozer >3 TRANSMISSION 3 >HOUSINGS AND COVERS 0341 >0341-3 - POWER SHIFT HOUSING AND COVER WITH SUMP BAFFLE (SERIAL NO.719978-) [01C17]

KEY	PART NO.	PART NAME	QTY	REMARKS
1	19H2441	CAP SCREW	1	1/2" X 1-3/4"
2	T45669	WASHER	1	
3	19H2633	CAP SCREW	12	3/8" X 1-1/2"
4	T104856	SLEEVE	1	
5	T104871	COVER	1	
6	HOUSING	1	(T104863 NO LONGER AVAILABLE)
7	T104855	DOWEL PIN	2	
8	RE57836	PIPE PLUG	2	1/2", (SUB FOR 15H561)
9	T104848	PLATE	1	SUMP BAFFLE
10	34M7111	SPRING PIN	5	10 X 30 MM
11	JD10364	BALL BEARING	1	
12	19H2898	CAP SCREW	2	1/2" X 1-1/4"



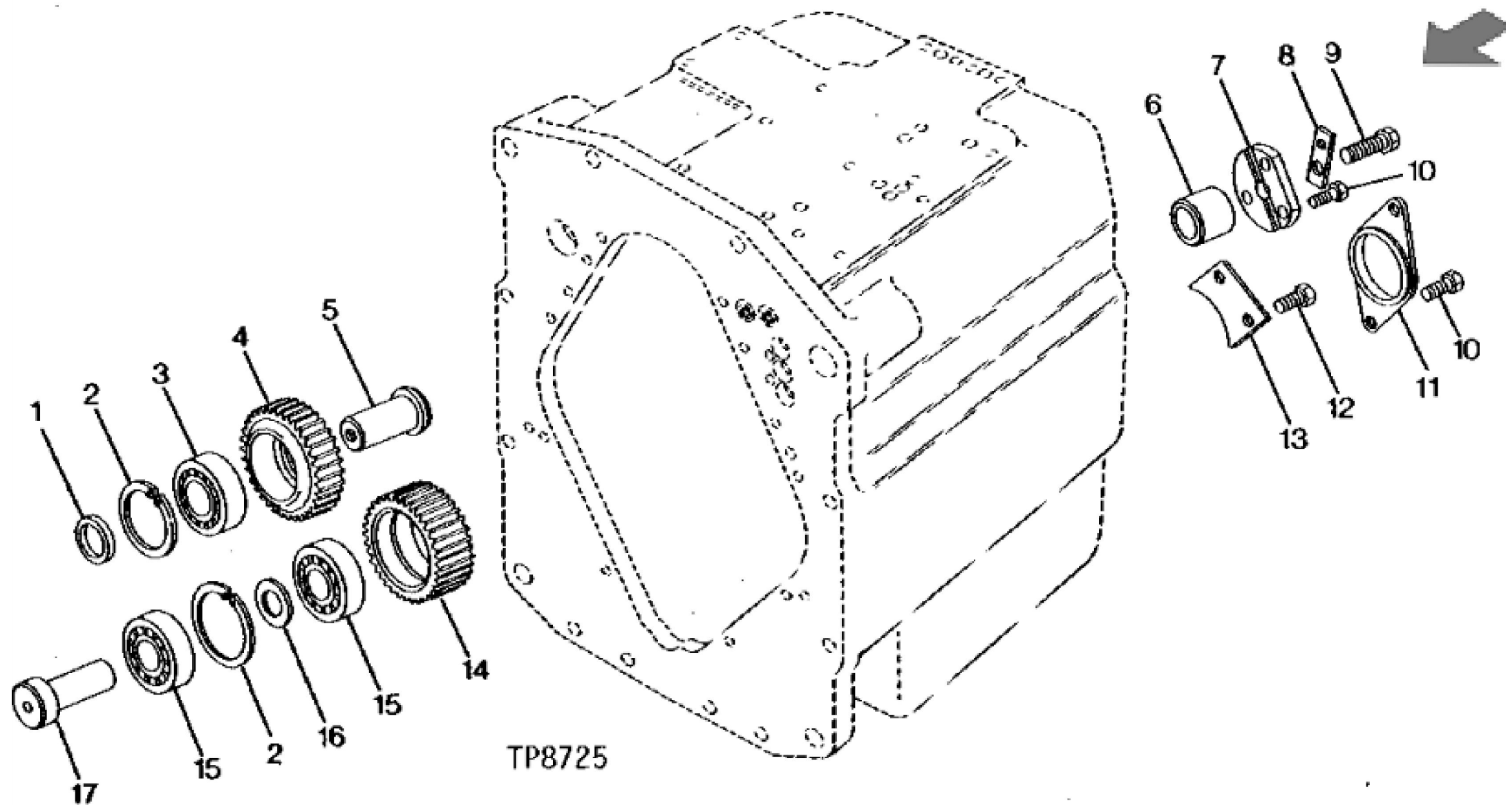
Suggest:

For more complete manuals. Please go to the home page.

<https://www.ebooklibonline.com>

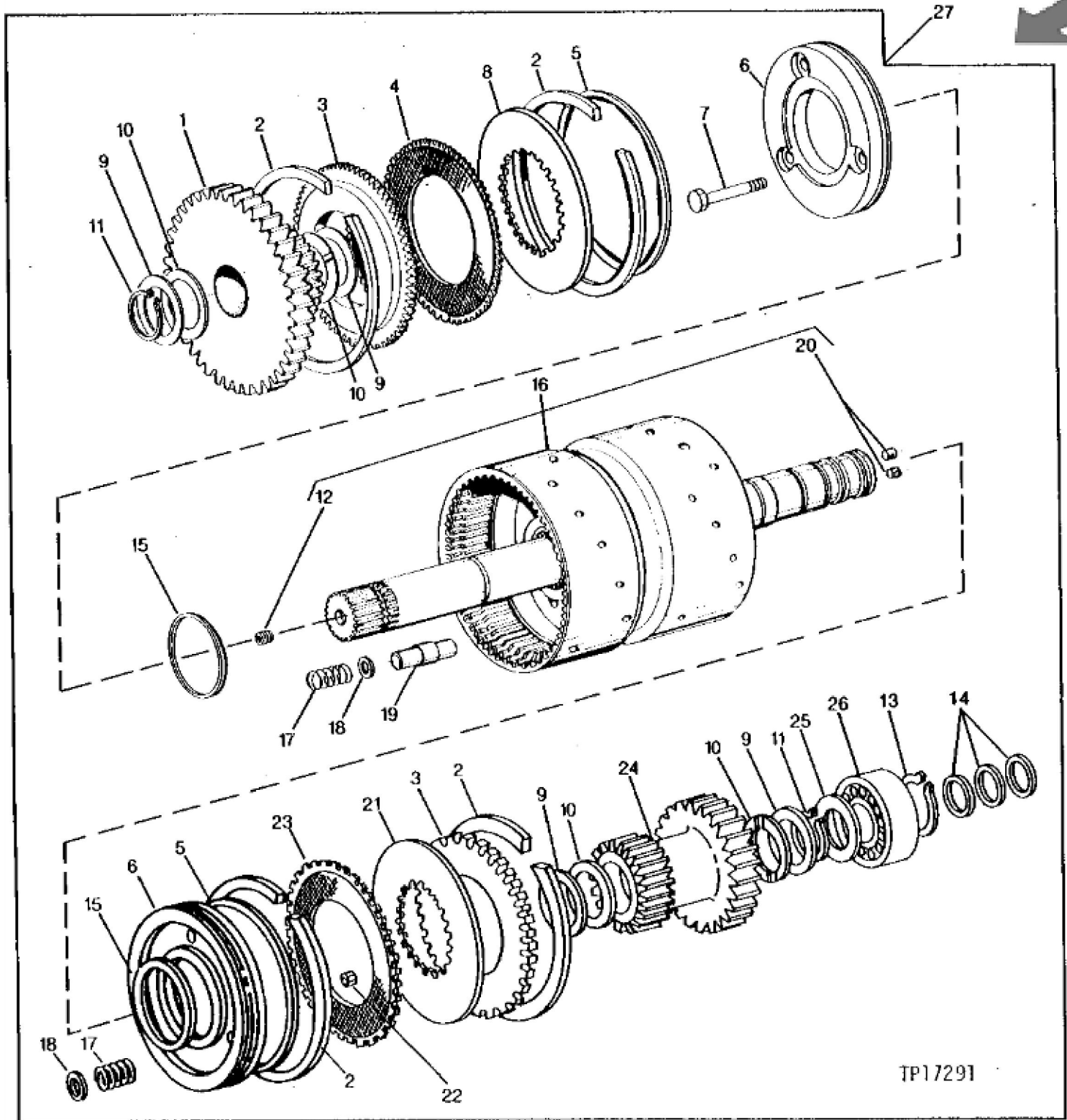
If the above button click is invalid. Please download this document first, and then click the above link to download the complete manual.

Thank you so much for reading



John Deere > Construction And Forestry >BULLDOZER >550B - BULLDOZER >550B Crawler Bulldozer >3 TRANSMISSION 3 >GEARS, SHAFTS, BEARINGS AND POWER SHIFT CLUTCH 0350 >0350-1 - FORWARD AND THIRD IDLER GEARS AND SHAFTS (SERIAL NO. -719977) [01C20]

KEY	PART NO.	PART NAME	QTY	REMARKS
1	T45665	WASHER	1	BEARING FRONT IDLER
2	T45663	SNAP RING	2	RETAINING INTERNAL
3	JD9511	CYLINDRICAL ROLLER BEARING	1	
4	T45652	GEAR	1	THIRD IDLER (33 TEETH)
5	T45295	SHAFT	1	THIRD IDLER
6	T45667	SPACER	1	FORWARD IDLER
7	T45655	PLATE	1	FORWARD IDLER SHAFT
8	T45668	STRAP	1	
9	19H2993	CAP SCREW	1	1/2" X 1-1/2"
10	19H3239	CAP SCREW	5	3/8" X 1-1/4"
11	T45661	RETAINER	1	THIRD CLUTCH
12	19H2284	CAP SCREW	2	3/8" X 7/8"
13	T45662	RETAINER	1	RETAINER, COUNTERSHAFT
14	T45651	GEAR	1	FORWARD IDLER (33 TEETH)
15	JD9513	CYLINDRICAL ROLLER BEARING	2	
16	T45666	WASHER	1	
17	T45659	PIN FASTENER	1	



<https://www.ebooklibonline.com>

Hello dear friend!

Thank you very much for reading.

Enter the link into your browser.

The full manual is available for immediate download.

<https://www.ebooklibonline.com>