

T60359F

KEY	PART NO.	PART NAME	QTY	Serial No.	REMARKS
1	T42687	BUSHING	2		
2	AT40189	COVER	1		(SUB T41186 AND (2) T42687)
3	19H1805	CAP SCREW	8		1/2" X 2-1/4"
4	12H301	LOCK WASHER	8		1/2"
5	19H3385	CAP SCREW	1		1/2" X 1-1/8"
6	12H304	LOCK WASHER	10		3/8"
7	19H1726	CAP SCREW	6		3/8" X 2-1/4"
8	T41188	COVER	1		TOP REAR
9	T20758	O-RING	1	____-276320	
10	T20757	PLUG	1		
11	19H2664	CAP SCREW	3		5/16" X 3/4", (WITHOUT WINCH DRIVE)
12	12H303	LOCK WASHER	3		5/16", (WITHOUT WINCH DRIVE)
13	T15070	COVER	1		(WITHOUT WINCH DRIVE)
14	T12405	GASKET	1		(WITHOUT WINCH DRIVE)
15	T45617	HOUSING	1		
16	T20756	STUD	6	____-243172	
17	T10510	WASHER	6	____-243172	(USE IF AVAILABLE)
17	R78019	WASHER	6		(SUB FOR T10510)
18	14H794	NUT	6	____-243172	3/4"
19	T18621	DOWEL PIN	4		
20	19H2735	CAP SCREW	4		1/2" X 2"
21	T21655	PIN	4		
22	19H2473	CAP SCREW	12		1/2" X 1-3/4"
22	TY9371	SEALANT	1		(ON ALL ATTACHING HARDWARE SPIRAL BEVEL HOUSING TO POWER SHIFT HOUSING)
23	19H2644	CAP SCREW	3		1/2" X 2-1/2"
24	19H2633	CAP SCREW	3		3/8" X 1-1/2", (FRONT AND L.H. SIDE)
..	T43514	GASKET	1		60 ML (2 OZ.) BOTTLE, (SUB FOR AT26340)

<https://www.ebooklibonline.com>

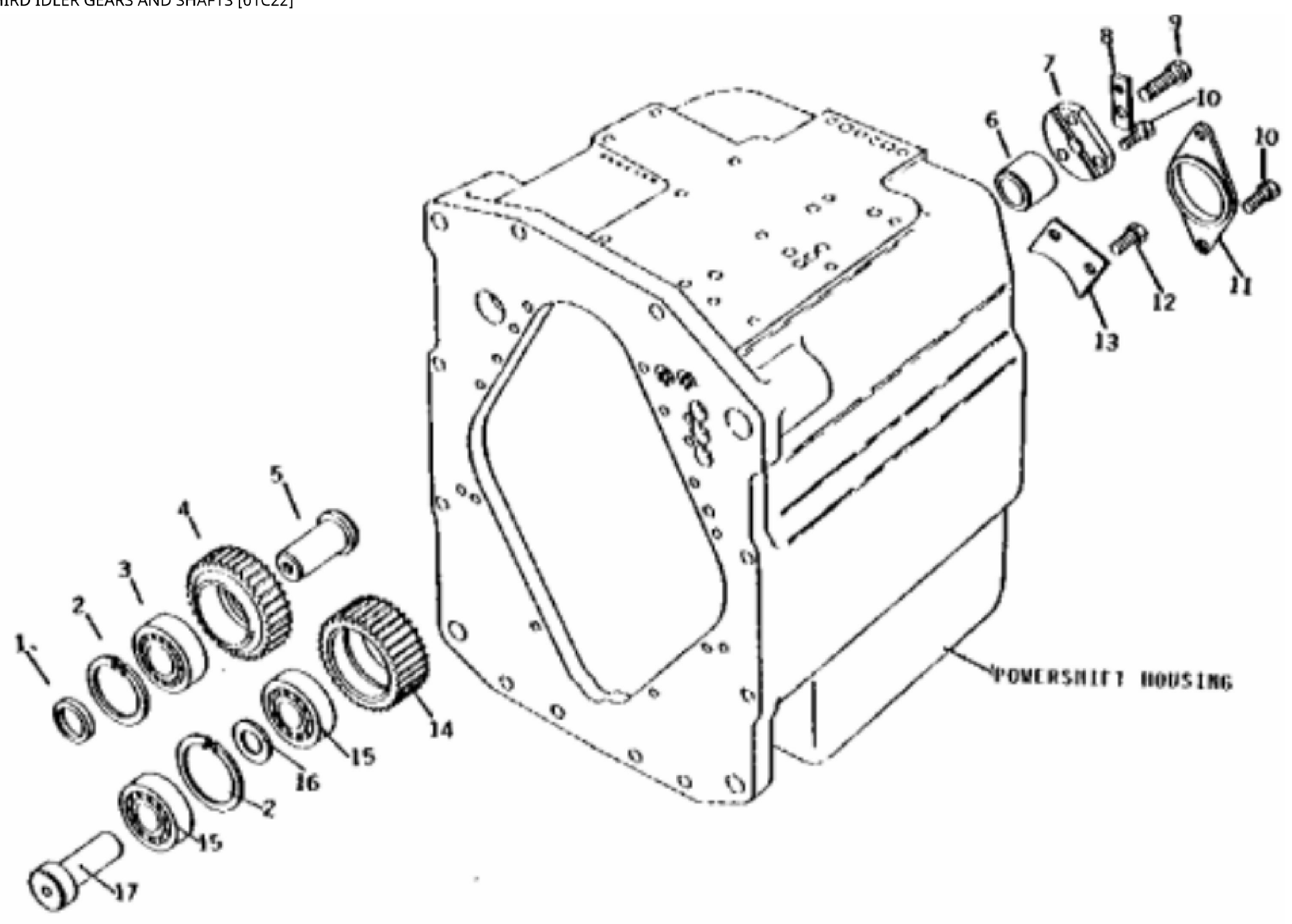
Hello dear friend!

Thank you very much for reading.

Enter the link into your browser.

The full manual is available for immediate download.

<https://www.ebooklibonline.com>



135023

John Deere > Construction And Forestry >BULLDOZER >550 - BULLDOZER >550 Crawler Bulldozer >3 TRANSMISSION 3 >GEARS, SHAFTS, BEARINGS, AND POWER SHIFT CLUTCH 0350 >00350-1 - FORWARD AND THIRD IDLER GEARS AND SHAFTS [01C22]

KEY	PART NO.	PART NAME	QTY	REMARKS
1	T45665	WASHER	1	BEARING FRONT IDLER
2	T45663	SNAP RING	2	RETAINING INTERNAL
3	JD9511	CYLINDRICAL ROLLER BEARING	1	
4	T45652	GEAR	1	THIRD IDLER
5	T45295	SHAFT	1	THIRD IDLER, (SUB FOR T45660)
6	T45667	SPACER	1	FORWARD IDLER
7	T45655	PLATE	1	PLATE, FORWARD IDLER SHAFT
8	T45668	STRAP	1	
9	19H2993	CAP SCREW	1	1/2" X 1-1/2"
10	19H3239	CAP SCREW	5	3/8" X 1-1/4"
11	T45661	RETAINER	1	RETAINER, THIRD CLUTCH
12	19H2284	CAP SCREW	2	3/8" X 7/8"
13	T45662	RETAINER	1	RETAINER, COUNTERSHAFT
14	T45651	GEAR	1	
15	JD9513	CYLINDRICAL ROLLER BEARING	2	
16	T45666	WASHER	1	
17	T45659	PIN FASTENER	1	



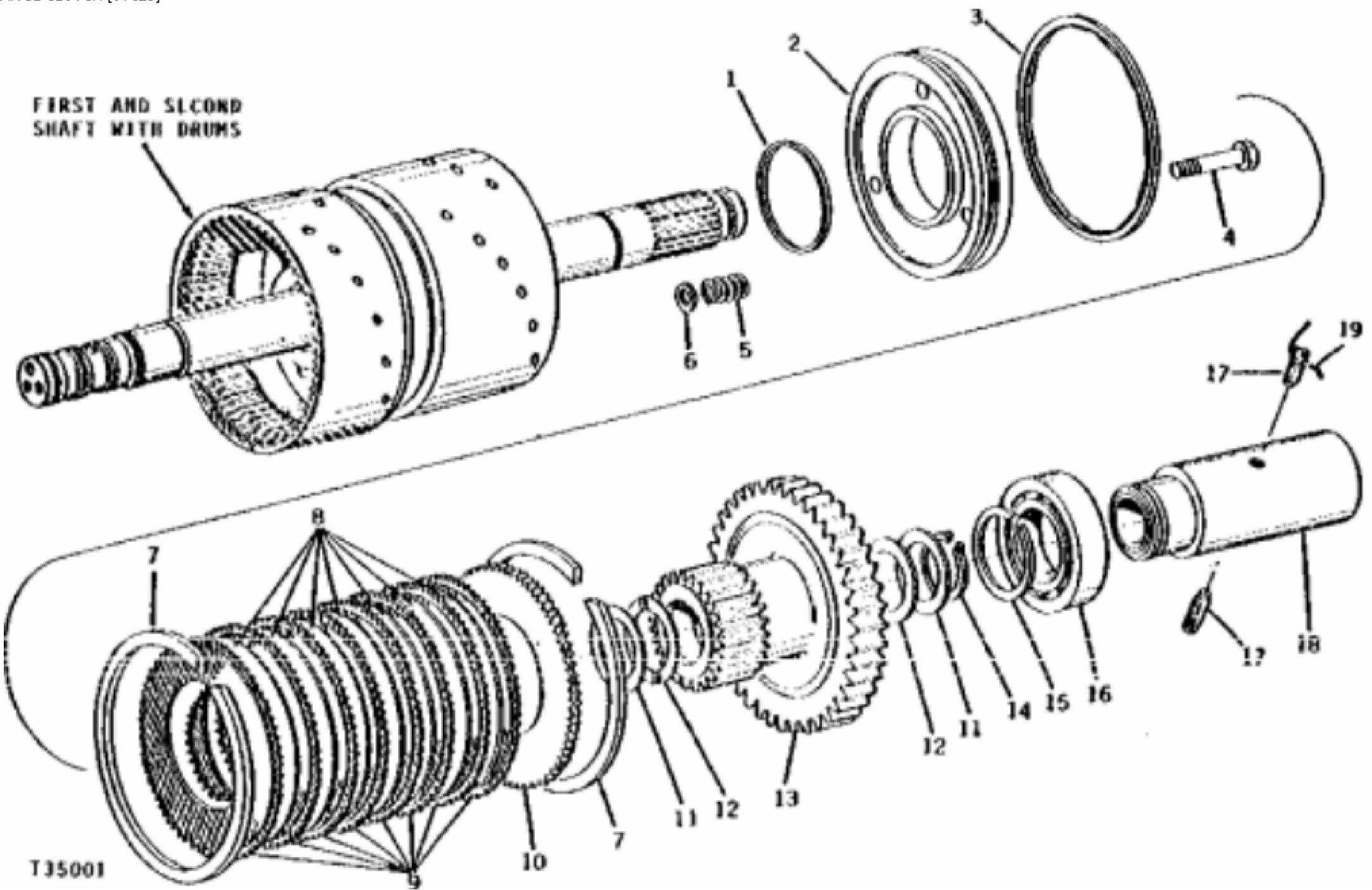
Suggest:

For more complete manuals. Please go to the home page.

<https://www.ebooklibonline.com>

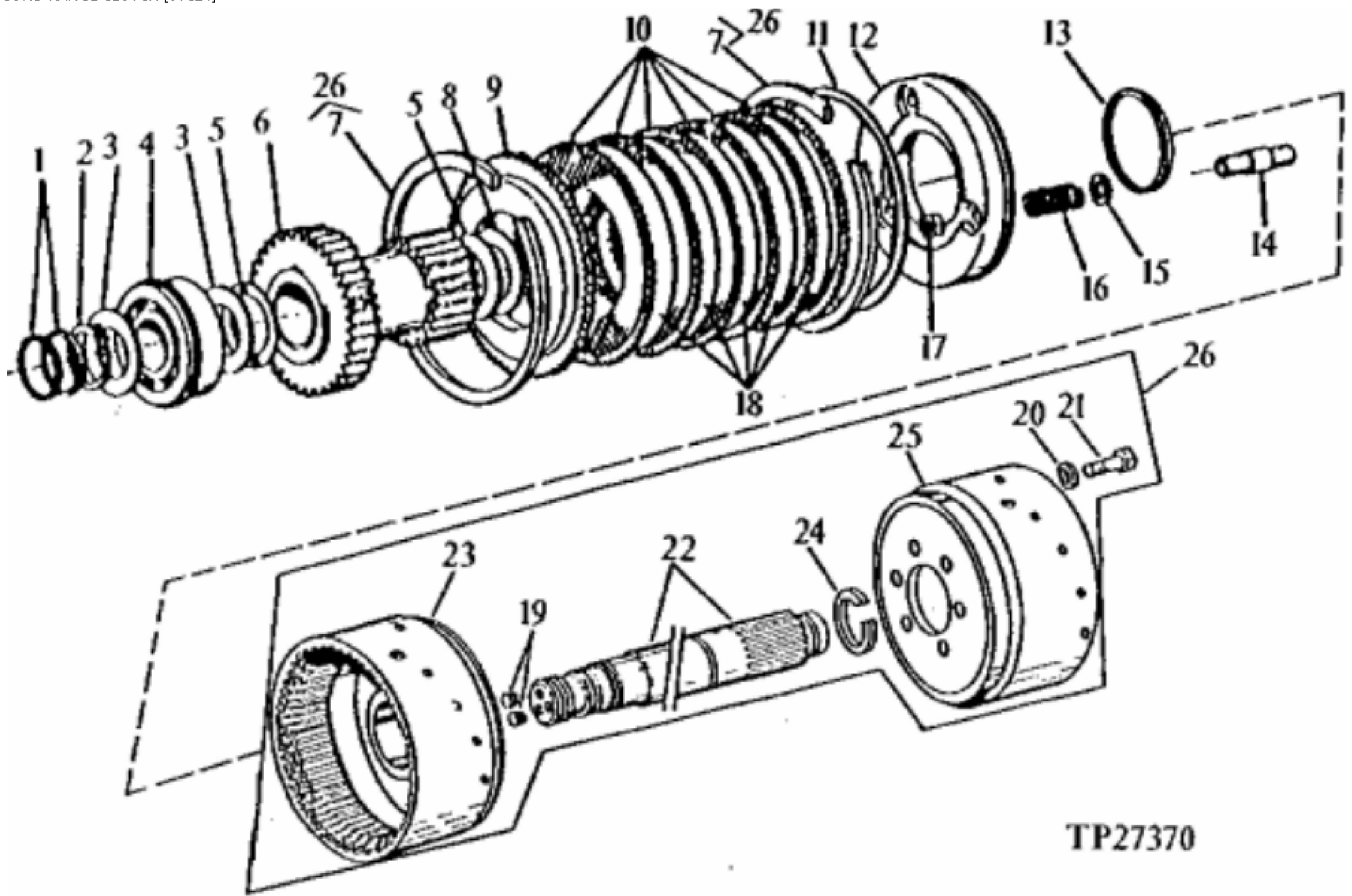
If the above button click is invalid. Please download this document first, and then click the above link to download the complete manual.

Thank you so much for reading



John Deere > Construction And Forestry >BULLDOZER >550 - BULLDOZER >550 Crawler Bulldozer >3 TRANSMISSION 3 >GEARS, SHAFTS, BEARINGS, AND POWER SHIFT CLUTCH 0350 >00350-2 - FIRST RANGE CLUTCH [01C23]

KEY	PART NO.	PART NAME	QTY	REMARKS
1	T44810	RING	1	
2	T44822	PISTON	1	
3	AT43725	RING	1	SEALING WITH EXPANDER
4	T44826	CAP SCREW	3	
5	T44812	COMPRESSION SPRING	3	PISTON RETURN (WITH THREE HOLE PISTON)
5	T105142	EXTENSION SPRING	6	(WITH SIX HOLE PISTON)
6	T44816	WASHER	3	
7	T44806	RING	2	
8	T44804	CLUTCH PLATE	7	STEEL CLUTCH
9	T44805	CLUTCH PLATE	8	
10	T44803	PLATE	1	
11	T44807	THRUST BEARING RACE	2	
12	T44815	WASHER	2	
13	AT43732	GEAR	1	(MARKED UXB7224) (48 TEETH)
14	U11031	SNAP RING	1	(SUB FOR T44808)
15	T44824	SNAP RING	1	
16	JD8537	BALL BEARING	1	
17	T44825	SET SCREW	2	
18	AT43733	COUPLING	1	(MARKED UXB7224)
19	T44829	WIRE	1	



TP27370

<https://www.ebooklibonline.com>

Hello dear friend!

Thank you very much for reading.

Enter the link into your browser.

The full manual is available for immediate download.

<https://www.ebooklibonline.com>