

John Deere > Construction And Forestry > EXCAVATOR > 490E - EXCAVATOR > 490E Excavator > 04 ENGINE 4045TT009 > 0404 CYLINDER BLOCK 4045TT009 4045TT009 > ST264243 - CYLINDER BLOCK / MAIN BEARING CAP

KEY	PART NO.	PART NAME	QTY	REMARKS
1	R55233	PIPE PLUG	1	Drain
2	RE57836	PIPE PLUG	1	12.700 mm (1/2"), (SUB FOR 15H624)
3	R48685	DOWEL PIN	4	
4	R39741	DRAIN PLUG	1	(W/O ENGINE COOLANT HEATER)
5	U13639	O-RING	1	(W/O ENGINE COOLANT HEATER)
6	RE57836	PIPE PLUG	1	12.700 mm (1/2"), (SUB FOR 15H561)(W/O TURBOCHARGER)
7	AT145384	SWITCH	1	Engine Oil Pressure
8	R39503	FITTING	1	(W/ TURBOCHARGER)
9	T25701	STUD	1	
9	R122226	STUD	2	(SUB FOR R122226)
10	T18891	PLUG	2	
11	R26493	BUSHING	1	
12	T27658	SPRING	1	
13	R83169	VALVE	1	
14	R111135	VALVE	1	
15	R111137	SPRING	1	
16	R57160	BUSHING	6	
17	R26650	DOWEL PIN	2	
18	R115390	BUSHING	1	
19	R97185	O-RING	1	
20	R65215	BEARING CAP	4	
21	T23474	CAP SCREW	10	
22	T20168	WASHER	10	
23	R79089	CAP	1	
24	R54802	ORIFICE	4	
25	.....	CYLINDER BLOCK	1	
26	R104592	PIPE PLUG	5	
27	15H562	PIPE PLUG	1	1"
28	RE50671	CYLINDER BLOCK	1	(MARKED R108755 OR R124851) (ALSO ORDER R83169, T27658, R112867, R111135 AND R111137)
29	R112867	OIL TUBE	1	OIL PUMP
30	15H623	PIPE PLUG	AR	3/8"

**<https://www.ebooklibonline.com>**

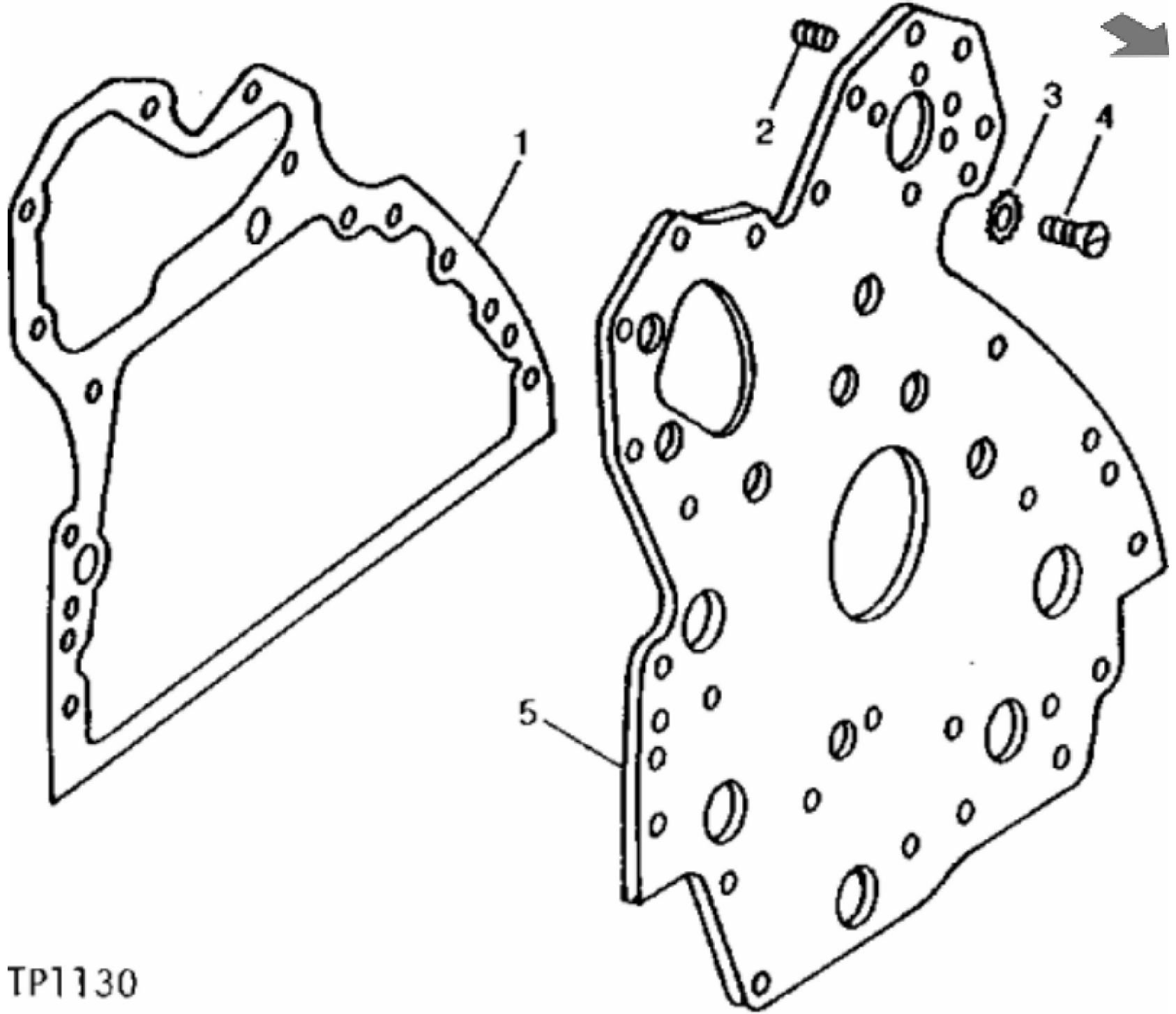
Hello dear friend!

Thank you very much for reading.

Enter the link into your browser.

The full manual is available for immediate download.

**<https://www.ebooklibonline.com>**



TP1130

KEY	PART NO.	PART NAME	QTY	REMARKS	
1	R131794	GASKET	1	(SUB FOR R90648)	
2	AT21191	SET SCREW	8		
2	AT22919	SET SCREW	2		
3	12H324	WASHER	5	3/8"	
4	T20166	SCREW	5		
5	RE16149	PLATE	1	(ALSO ORDER (2) AT22919 AND (5) AT21191)	



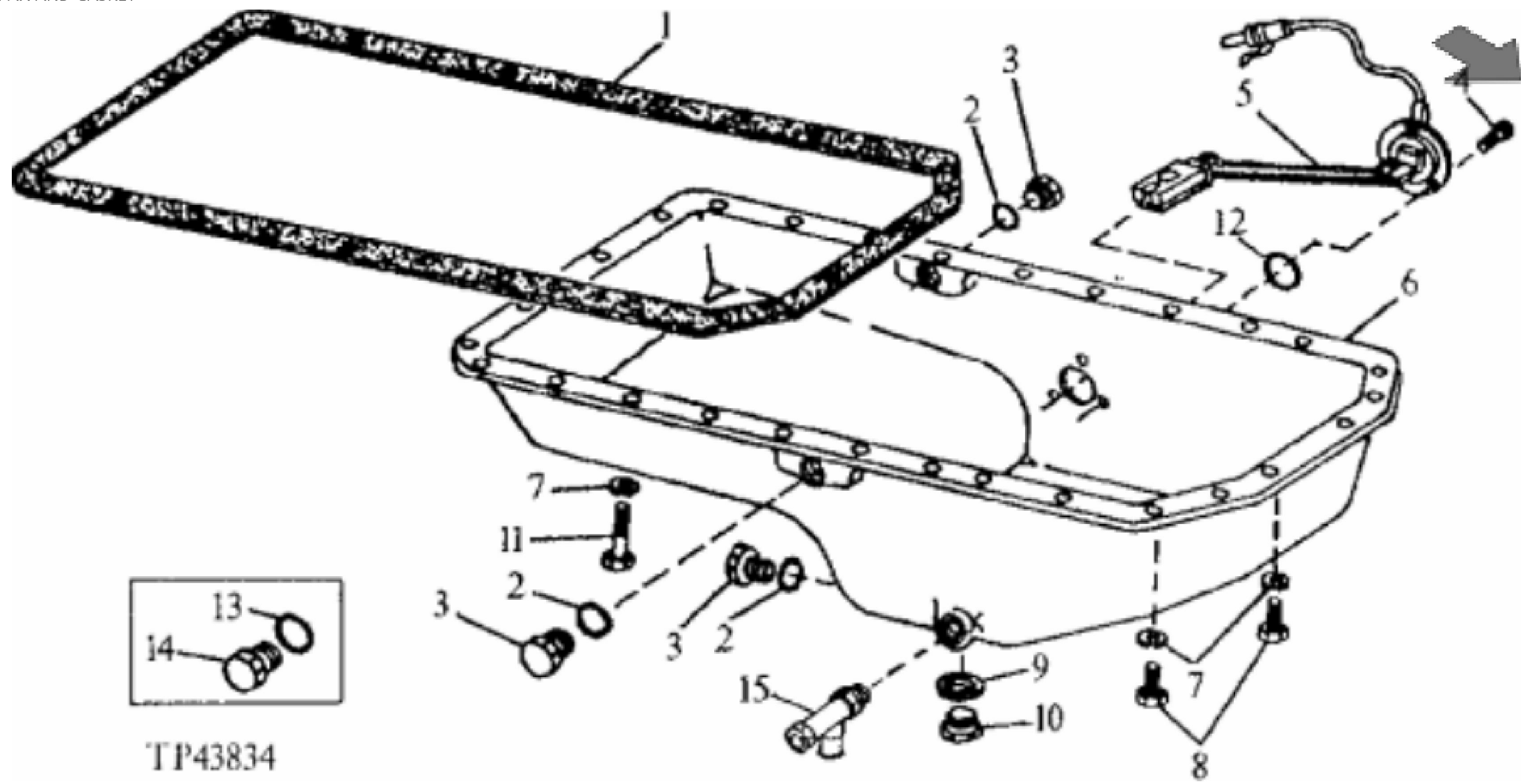
**Suggest:**

**For more complete manuals. Please go to the home page.**

**<https://www.ebooklibonline.com>**

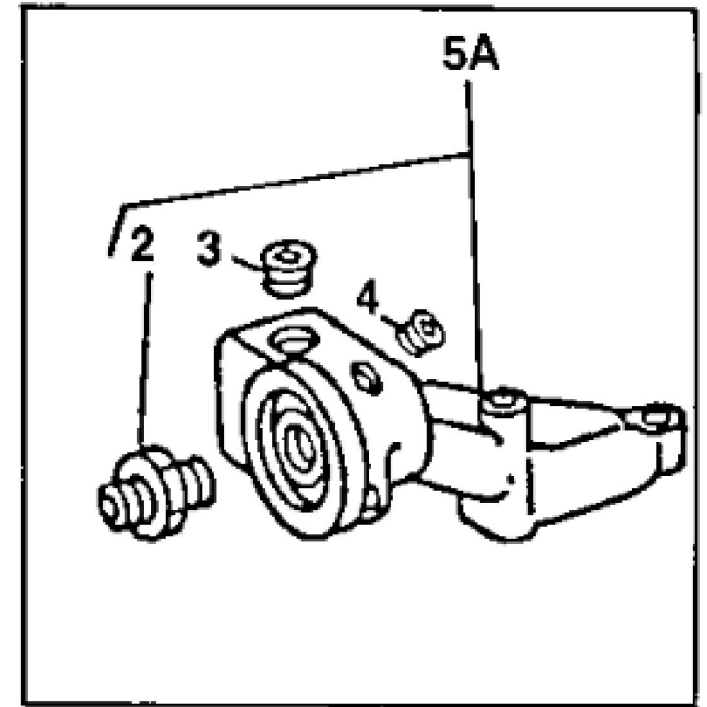
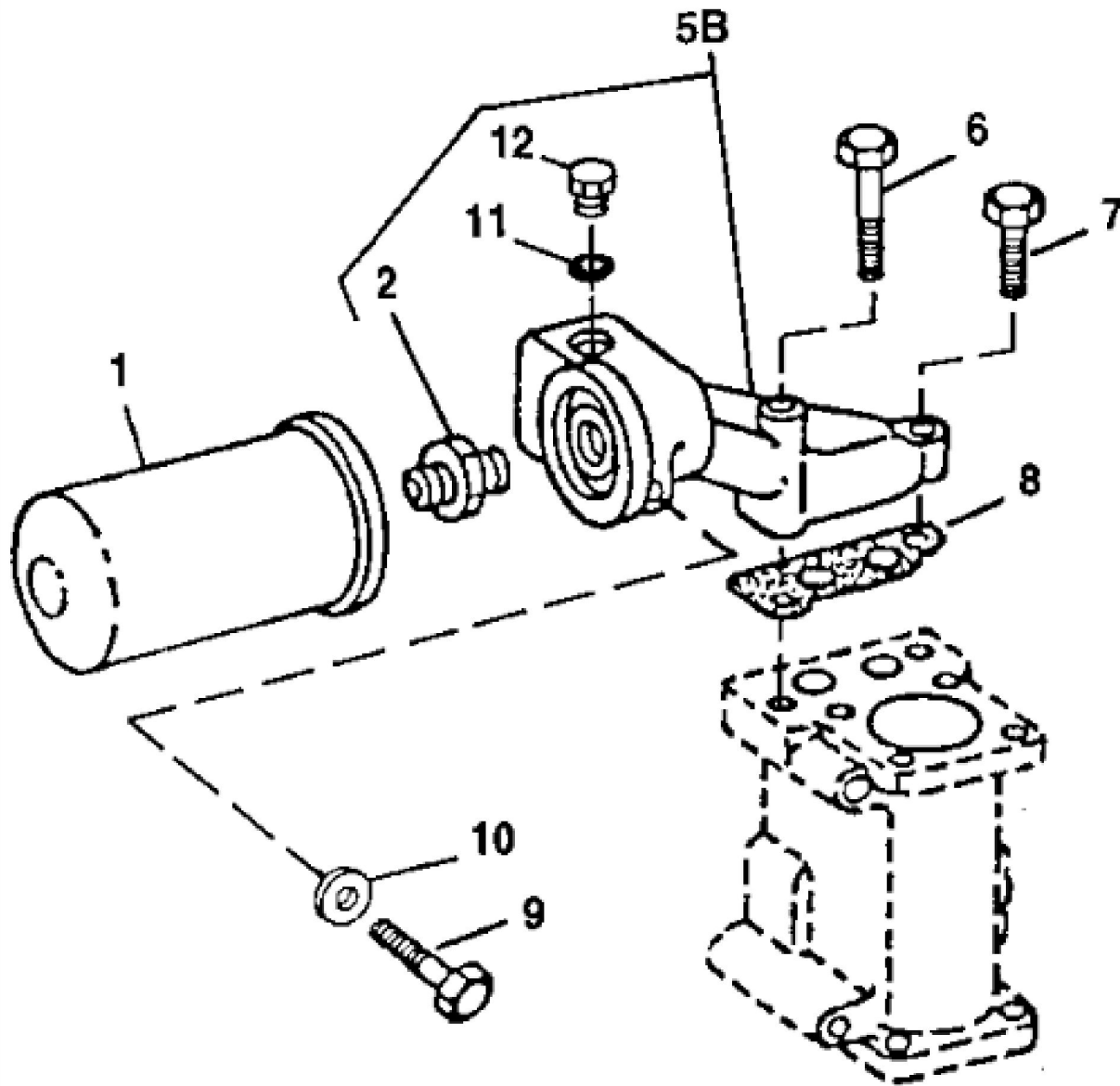
**If the above button click is invalid. Please download this document first, and then click the above link to download the complete manual.**

**Thank you so much for reading**



TP43834

KEY	PART NO.	PART NAME	QTY	Engine Serial No.	REMARKS
1	R97342	GASKET	1		
2	R47151	O-RING	3	____-400443	
3	R27474	DRAIN PLUG	3	____-400443	
4	19M8425	CAP SCREW	3		M6 X 16
5	RE16223	SENSOR	1		Engine Oil Level
6	R107751	OIL PAN	1		
7	12H304	LOCK WASHER	28		3/8"
8	19H3411	SCREW	20		3/8" X 1-1/8"
9	T13213	WASHER	1		
10	M1746T	DRAIN PLUG	1		
11	19H3065	CAP SCREW	8		3/8" X 2"
12	R47154	O-RING	1		
13	R47151	O-RING	1	____-400443	
14	R27474	DRAIN PLUG	1	____-400443	
15	AT152180	DRAIN VALVE	1	400444-____	



TP55120

**<https://www.ebooklibonline.com>**

Hello dear friend!

Thank you very much for reading.

Enter the link into your browser.

The full manual is available for immediate download.

**<https://www.ebooklibonline.com>**