

TP18553

John Deere > Construction And Forestry > EXCAVATOR > 490D - EXCAVATOR > 490D Excavator and 493D Feller Buncher > 4 ENGINE 4 > CAMSHAFT AND VALVE ACTUATING MEANS 0402 > 0402-4 -
ROCKER ARM COVER [01C07]

| KEY | PART NO. | PART NAME | QTY | 490D | 493D | REMARKS | |
|-----|----------|-------------------|-----|------|------|--------------------|--|
| 1 | AR103811 | SCREW WITH WASHER | 8 | X | X | (SUB FOR AR100124) | |
| 2 | AR65864 | FILLER CAP | 1 | X | X | | |
| 3 | AR71130 | VALVE COVER | 1 | X | X | | |
| 4 | R73521 | GASKET | 1 | X | X | | |

<https://www.ebooklibonline.com>

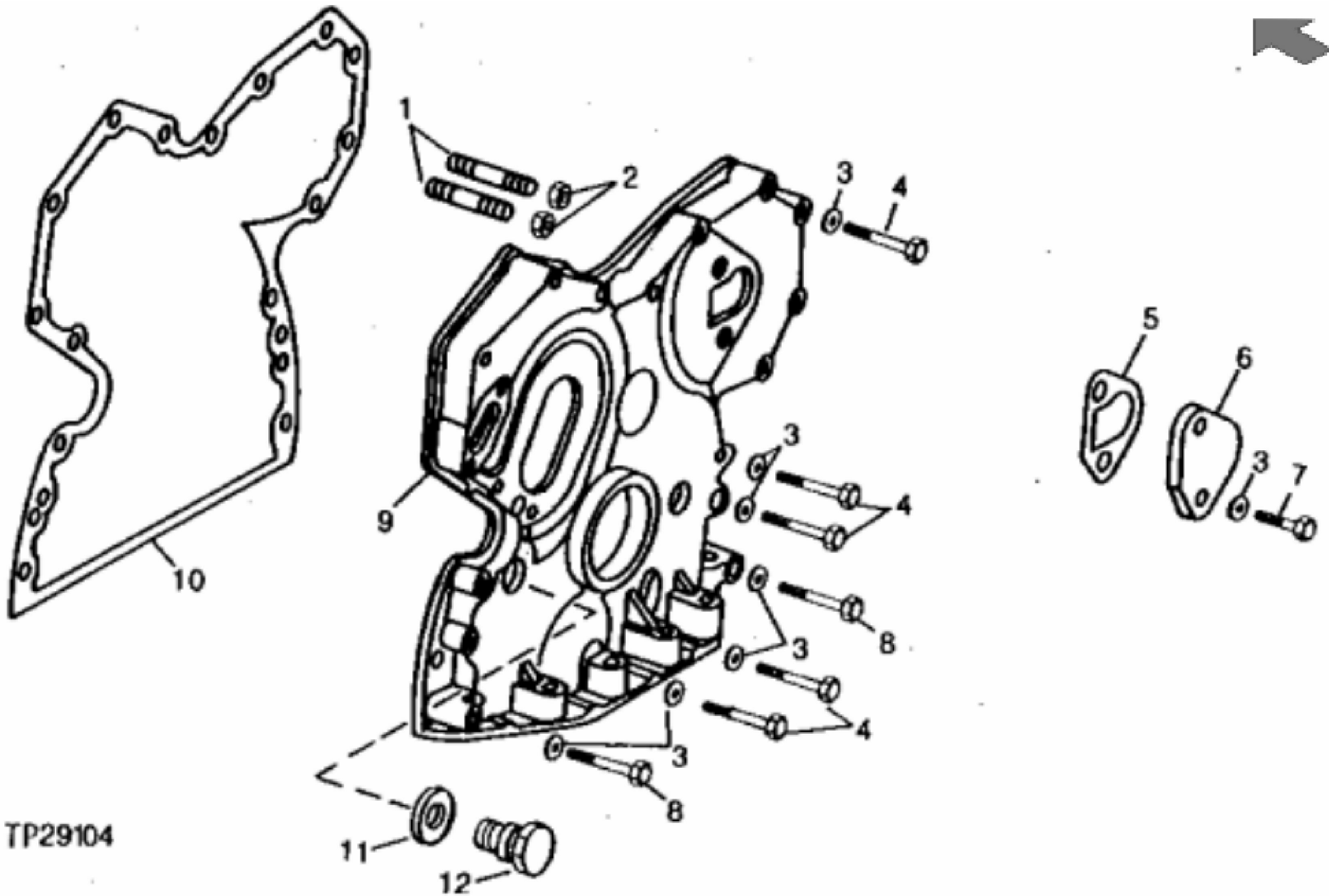
Hello dear friend!

Thank you very much for reading.

Enter the link into your browser.

The full manual is available for immediate download.

<https://www.ebooklibonline.com>



TP29104

John Deere > Construction And Forestry > EXCAVATOR > 490D - EXCAVATOR > 490D Excavator and 493D Feller Buncher > 4 ENGINE 4 > CAMSHAFT AND VALVE ACTUATING MEANS 0402 > 0402-5 - TIMING GEAR COVER [01C08]

| KEY | PART NO. | PART NAME | QTY | 490D | 493D | REMARKS |
|-----|----------|--------------|-----|------|------|--|
| 1 | R122226 | STUD | 2 | X | X | (SUB FOR R122226) |
| 2 | 14H1076 | NUT | 2 | X | X | 3/8" |
| 2 | 24H1304 | WASHER | 2 | X | X | 13/32" X 23/32" X 0.120" |
| 3 | 24H1304 | WASHER | AR | X | X | 13/32" X 23/32" X 0.120" |
| 4 | 19H2549 | CAP SCREW | 5 | X | X | 3/8" X 1-7/8" |
| 4 | 19H2545 | CAP SCREW | 5 | X | X | 3/8" X 1-3/8" |
| 5 | R125066 | GASKET | 1 | X | X | (SUB FOR R78366 OR R97773) |
| 6 | R126041 | COVER | 1 | X | X | (SUB FOR T20362) |
| 7 | R124277 | CAP SCREW | 2 | X | X | (SUB FOR R122618, THIS APPLICATION) |
| 8 | 19H3031 | CAP SCREW | 2 | X | X | 3/8" X 2-1/2" |
| 9 | RE39252 | COVER | 1 | X | X | WITH INSERTS, (SUB FOR RE27895) |
| 10 | R126513 | GASKET | 1 | X | X | (SUB FOR T20155, R97454, R119269 OR R121314) |
| 11 | A4827R | WASHER | 1 | X | X | |
| 12 | T27657 | FITTING PLUG | 1 | X | X | |



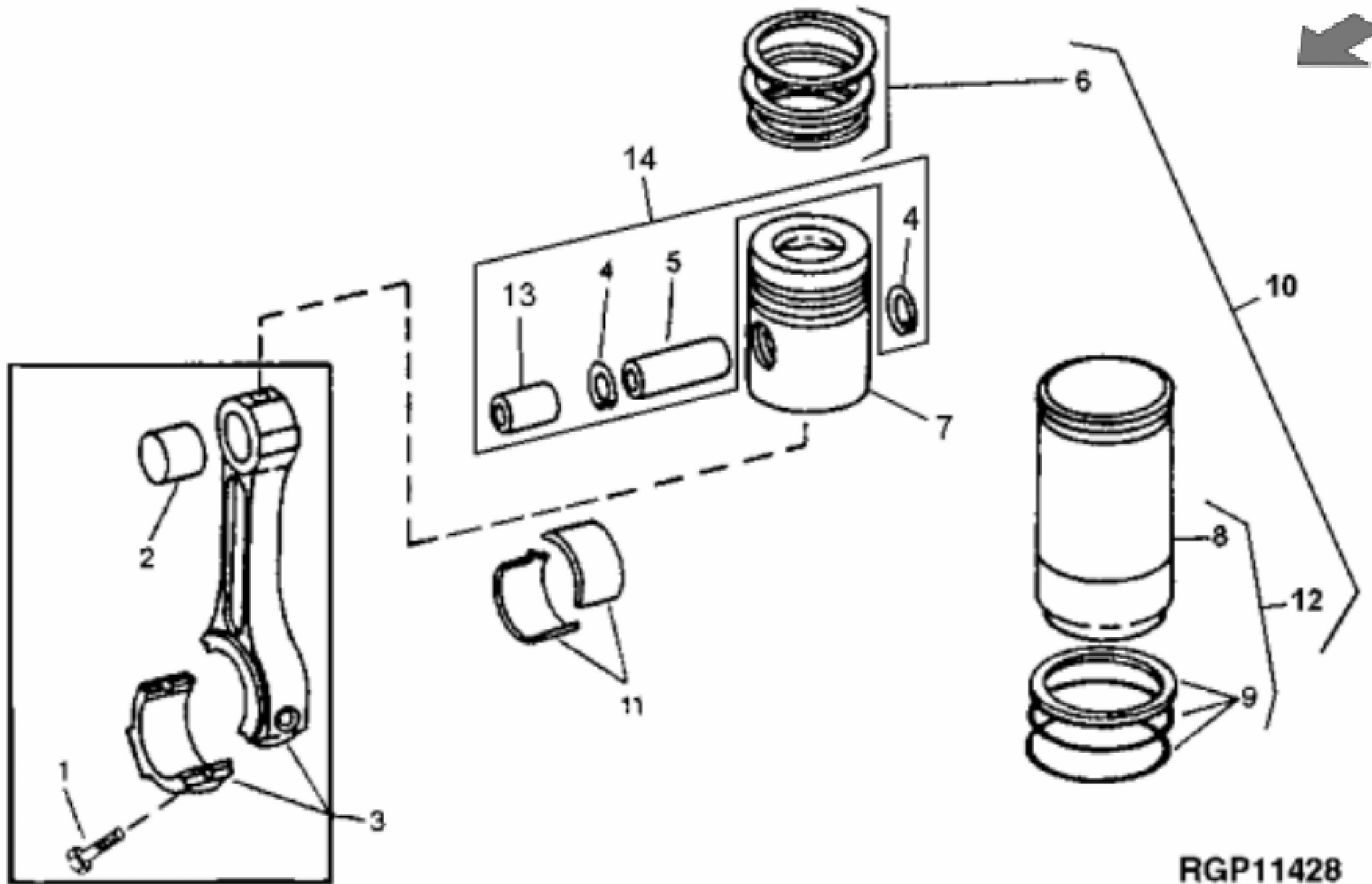
Suggest:

For more complete manuals. Please go to the home page.

<https://www.ebooklibonline.com>

If the above button click is invalid. Please download this document first, and then click the above link to download the complete manual.

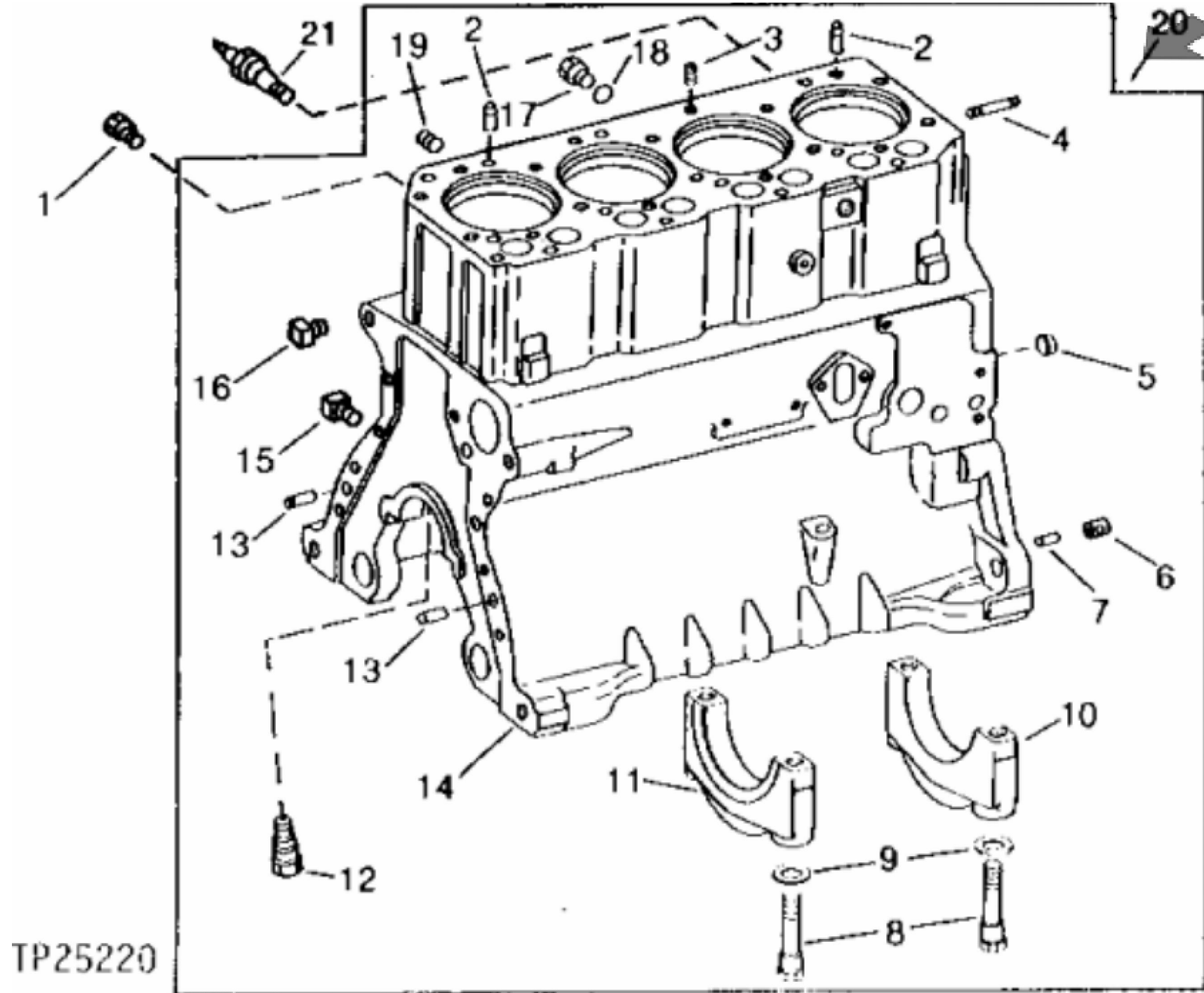
Thank you so much for reading



RGP11428

John Deere > Construction And Forestry > EXCAVATOR > 490D - EXCAVATOR > 490D Excavator and 493D Feller Buncher > 4 ENGINE 4 > CONNECTING RODS AND PISTONS 0403 > 0403-2 - CONNECTING ROD, PISTON, RINGS AND LINER [01C09]

| KEY | PART NO. | PART NAME | QTY | 490D | 493D | REMARKS |
|-----|----------|-----------------|-----|------|------|---|
| 1 | R74195 | SCREW | 8 | X | X | |
| 2 | | BUSHING | 4 | X | X | (R56186 NO LONGER AVAILABLE) |
| 3 | RE53716 | CONNECTING ROD | 4 | X | X | (MARKED R116851) (SUB FOR AR66400) (MARKED R56187) |
| 4 | R54114 | SNAP RING | 8 | X | X | |
| 5 | | PIN | 4 | X | X | (R124230 NO LONGER AVAILABLE,FURNISH RE63913) |
| 6 | RE507852 | PISTON RING KIT | 4 | X | X | (SUB FOR RE15674, RE48818, RE66820) |
| 7 | | PISTON | 4 | X | X | (FURNISH RE19833) |
| 8 | R121867 | CYLINDER LINER | 4 | X | X | (SUB FOR R80500) (SUB RE500024) (ALSO USE AR54749 LUBRICANT FOR CYLINDER LINER PACKING INSTALLATION) (SUB FOR R54505) |
| 9 | AR65507 | O-RING KIT | 4 | X | X | |
| 10 | RE19833 | KIT | 4 | X | X | (SUB FOR RE19832) |
| 11 | AR97517 | BEARING | 4 | X | X | (SET OF (2) R54801) (SUB FOR AR69098) |
| 11 | | BEARING | 4 | X | X | (AR68413 NO LONGER AVAILABLE) .05 MM (.002") UNDERSIZE (SET OF (2) R57123) |
| 11 | AR68414 | BEARING | 4 | X | X | .25 MM (.010") UNDERSIZE (SET OF (2) R57124) (SUB AR97653) |
| 11 | AR68415 | BEARING | 4 | X | X | .51 MM (.20") UNDERSIZE (SET OF (2) R57125) (SUB AR97654) |
| 11 | AR68416 | BEARING | 4 | X | X | .76 MM (.030") UNDERSIZE (SET OF (2) R57126) (SUB AR97655) |
| 12 | RE500024 | CYLINDER LINER | 4 | X | X | |
| 13 | | BUSHING | 4 | X | X | |
| 14 | RE63913 | KIT | 4 | X | X | |



TP25220

<https://www.ebooklibonline.com>

Hello dear friend!

Thank you very much for reading.

Enter the link into your browser.

The full manual is available for immediate download.

<https://www.ebooklibonline.com>