

TX1091287

KEY	PART NO.	PART NAME	QTY	REMARKS	
1A	1090002840	BOLT	1		
1B	1090701270	BOLT	1		
1C	1090701380	BOLT	1		
1D	8970737820	BOLT	3		
7A	1125310990	SHAFT	1		
7B	8982583790	SHAFT	1	SUB FOR 1125311150	
7C	8980359240	SHAFT	1		
10	1125350211	THRUST RING	1		
11A	8972097282	THRUST WASHER	1		
11B	8980359252	THRUST RING	1		
12A	8980054830	IDLER GEAR	1		
12B	8981568931	IDLER GEAR	1		
12C	8981586340	IDLER GEAR	1		
14	0281612450	BOLT	1		

<https://www.ebooklibonline.com>

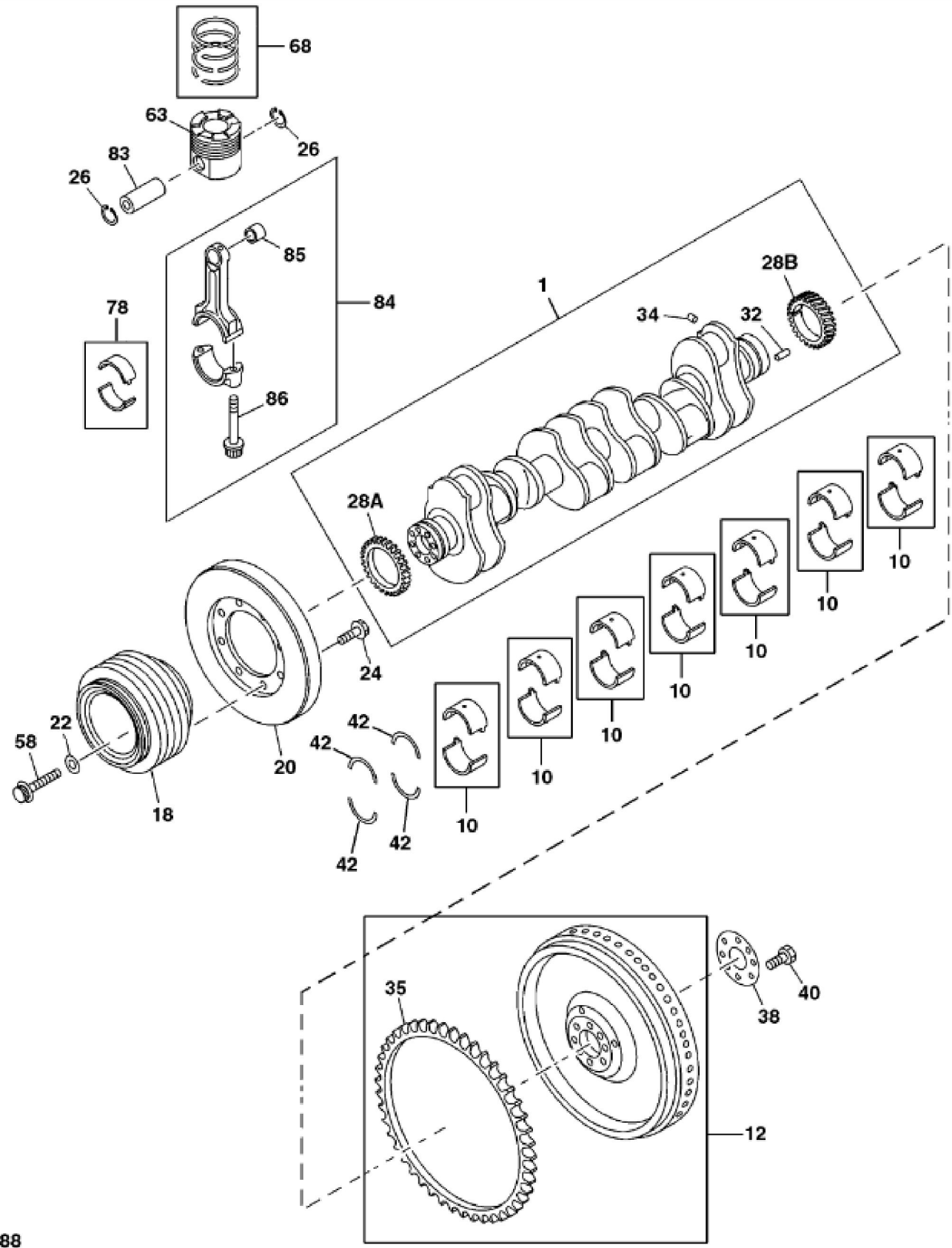
Hello dear friend!

Thank you very much for reading.

Enter the link into your browser.

The full manual is available for immediate download.

<https://www.ebooklibonline.com>



TX1091288



Suggest:

For more complete manuals. Please go to the home page.

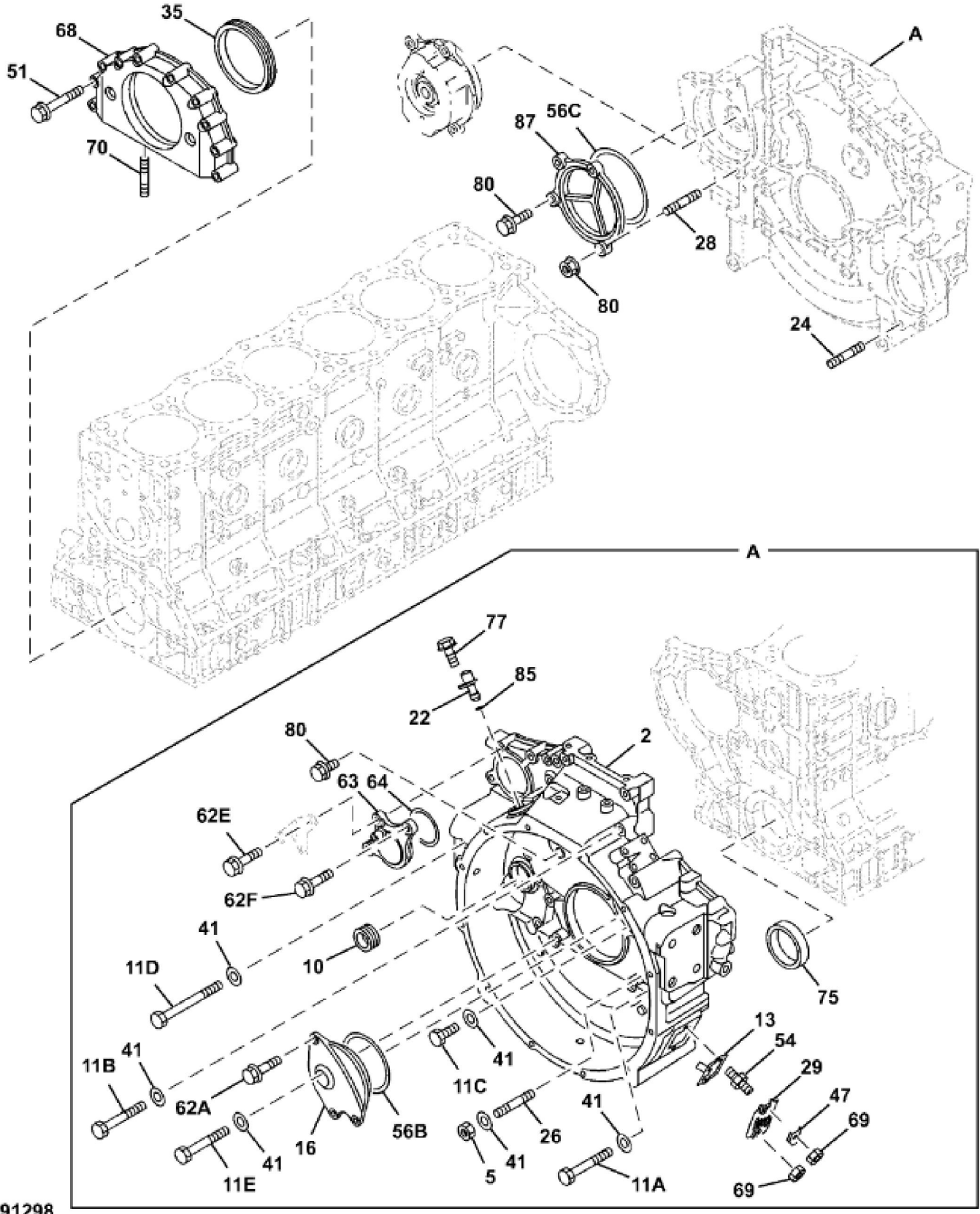
<https://www.ebooklibonline.com>

If the above button click is invalid. Please download this document first, and then click the above link to download the complete manual.

Thank you so much for reading

John Deere > Construction And Forestry > EXCAVATOR > 470GLC - EXCAVATOR > 470GLC Excavator (PIN: 1FF470GX__E470001-) > 04 ENGINE > 0400 ENGINE > ST451632 - CRANKSHAFT, CRANKSHAFT BEARINGS AND GEAR

KEY	PART NO.	PART NAME	QTY	REMARKS
1	8976030465	CRANKSHAFT	1	SUB FOR 8976030464
10	8976097680	CRANKSHAFT AND PISTON KIT	7	Blue
10	8976097690	CRANKSHAFT AND PISTON KIT	7	Black
10	8976097700	CRANKSHAFT AND PISTON KIT	7	Brown
12	8981343101	FLYWHEEL	1	
18	8981344720	PULLEY	1	
20	1123751950	TORSIONAL DAMPER	1	
22	9098519350	PLATE	4	ID=17 OD=30
24	0281612250	BOLT	8	SUB FOR 0281912250, M12X25 FLANGE
26	1095870751	SNAP RING	12	ALSO INCLUDED IN LINER SET
28A	8976075831	GEAR	1	SUB FOR 8976075830
28B	8980023321	GEAR	1	
32	9081508160	PIN FASTENER	1	OD=8 L=16
34	9098786260	DOWEL PIN	1	OD=5 L=6
35	1123330131	RING GEAR	1	Z=139
38	1123360060	WASHER	1	
40	1090701461	BOLT	8	SUB FOR 1090701460
42	8981060070	THRUST WASHER	4	
58	0288616700	BOLT	4	M16X70 FLANGE
63	8980287372	PISTON	6	GRADE=AX ALSO INCLUDED IN LINER SET, SUB FOR 8980287370 OR 8980287371
63	8980287382	PISTON	6	GRADE=CX ALSO INCLUDED IN LINER SET, SUB FOR 8980287380 OR 8980287381
68	8981175940	RING KIT	6	
78	8976054840	CONNECTING ROD	6	
83	8976032630	PIN	6	ALSO INCLUDED IN LINER SET
84	8980449500	CONNECTING ROD	6	
85	1122510510	BUSHING	6	
86	1122350460	BOLT	12	



TX1091298

KEY	PART NO.	PART NAME	QTY	REMARKS
2	8981342920	HOUSING	1	
5	9991105120	NUT	1	SUB FOR 0911105120
10	9095757990	GROMMET	1	
11A	0168562600	BOLT	8	
11B	0168562900	BOLT	1	
11C	0238012250	BOLT	2	
11D	8973881590	BOLT	1	
11E	9016662750	BOLT	5	
13	1113270451	POINTER	1	
16	8976033410	COVER	1	
22	8976069430	SENSOR	1	
24	0440114400	STUD	2	
26	0440112600	STUD	1	
28	9944112400	STUD	1	
29	1113491310	COVER	1	
35	1096255403	SEAL	1	
41	8970472940	WASHER	18	SUB FOR 9098519330
47	1113491270	WASHER	1	
51	0281510600	BOLT	12	
54	1093000581	STUD	2	
56B	1096234640	GASKET	1	
56C	1096235700	GASKET	1	
62A	0280508160	BOLT	3	
62C	0280808140	BOLT	3	
62E	0281512700	BOLT	1	
62F	0281512800	BOLT	2	SUB FOR 0281812800
63	8980056041	COVER	1	SUB FOR 8980056040
64	1096231430	O-RING	1	
65	0911801120	NUT	1	
68	8981416090	COVER	1	
69	0911801080	NUT	2	SUB FOR 8940120390
70	9096300341	STUD	6	
75	1096255412	SEAL	1	
77	0286506160	BOLT	1	
80	0281512350	BOLT	3	

<https://www.ebooklibonline.com>

Hello dear friend!

Thank you very much for reading.

Enter the link into your browser.

The full manual is available for immediate download.

<https://www.ebooklibonline.com>