

John Deere > Construction And Forestry > EXCAVATOR > 450LC - EXCAVATOR > 450LC Excavator > 04 ENGINE 6101AT010 > 0402 CAMSHAFT AND VALVE ACTUATING MEANS 6101AT010 6101AT010 > ST265204 - ROCKER ARM COVER

KEY	PART NO.	PART NAME	QTY	REMARKS	
1	19M7803	SCREW	3	M8 X 70, (SUB FOR CH19100 OR AT211859)	
2	RE71265	ISOLATOR	3		
3	R120467	ELBOW FITTING	1		
4	TY22467	CLAMP	1		
5	TY22450	BULK HOSE	AR		
6	R72328	O-RING	1	(NLR)	
7	R116843	VALVE COVER	1		
8	R63185	O-RING	1		
9	RE66329	DEFLECTOR	1		
10	R505677	GASKET	1	(SUB FOR R130738)	
11	R130091	SCREW	2	M6 X 12	
12	R501292	GROMMET	2	(SUB FOR R127451)	
13	R132985	MEDALLION	1		

**<https://www.ebooklibonline.com>**

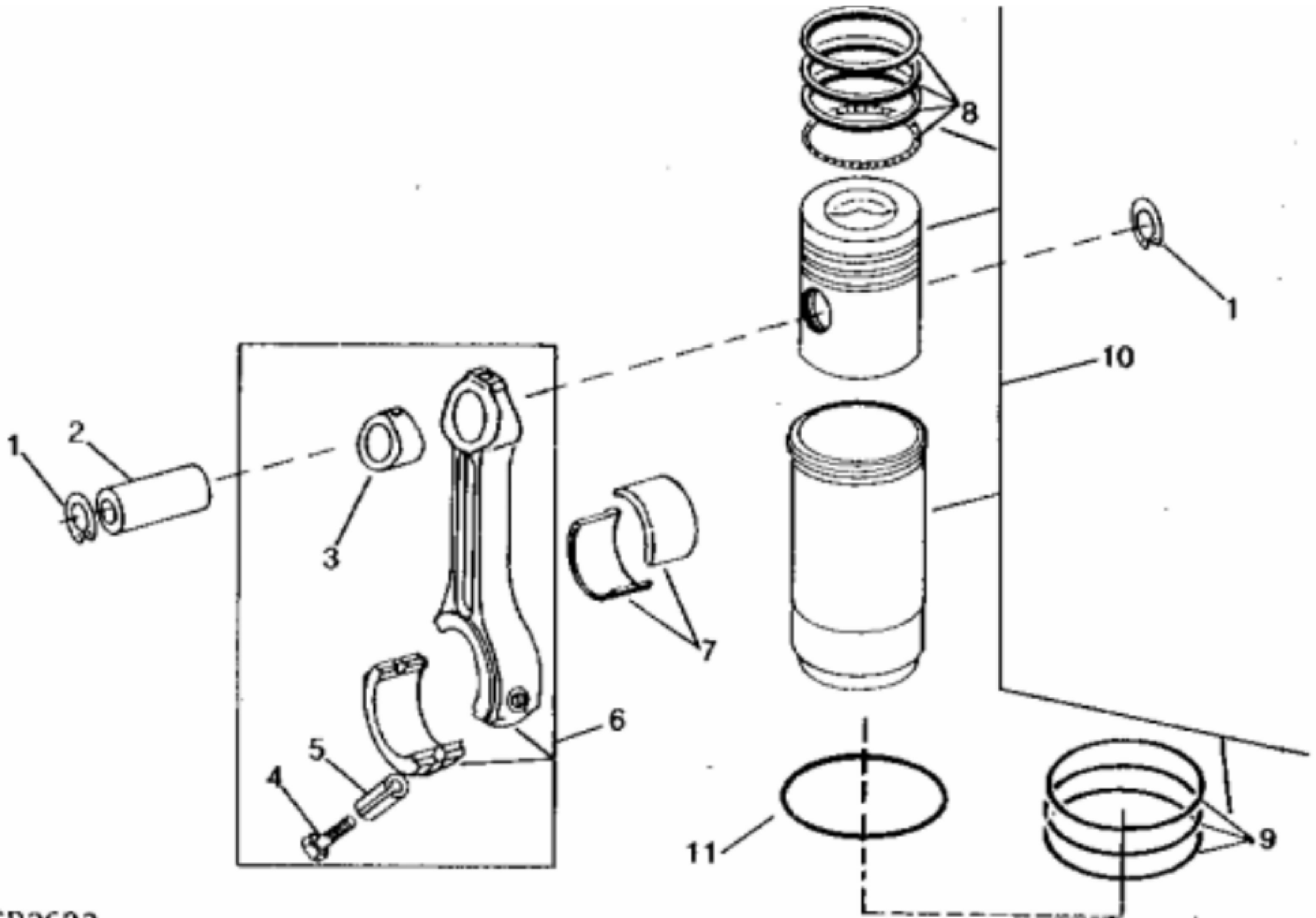
Hello dear friend!

Thank you very much for reading.

Enter the link into your browser.

The full manual is available for immediate download.

**<https://www.ebooklibonline.com>**



John Deere > Construction And Forestry > EXCAVATOR > 450LC - EXCAVATOR > 450LC Excavator > 04 ENGINE 6101AT010 > 0403 CONNECTING RODS AND PISTONS 6101AT010 6101AT010 > ST265206 - PISTON, RINGS, LINERS AND CONNECTING RODS

KEY	PART NO.	PART NAME	QTY	REMARKS
1	N51168	SNAP RING	12	
2	R64451	PISTON PIN	6	
3	R69045	BUSHING	6	
4	R66453	CAP SCREW	12	
5	R48317	SLEEVE	12	
6	AR79366	CONNECTING ROD	6	NLA (ORDER SE500499)
6	SE500499	CONNECTING ROD REMAN	6	(REMAN FOR AR79366)
7	AR101271	BEARING	AR	(STD) (PKG OF (2) R74671)
7	AR104129	BEARING	AR	0.05 mm (.002 in.), (US) (PKG OF (2) R76649)
7	AR104130	BEARING	AR	0.25 mm (.010 in.), (US) (PKG OF (2) R76650)
7	AR104131	BEARING	AR	0.50 mm (.020 in.), (US) (PKG OF (2) R76651)
7	AR104132	BEARING	AR	0.75 mm (.030 in.), (US) (PKG OF (2) R76652)
8	AR82355	PISTON RING KIT	1	
9	AR72351	O-RING KIT	6	
10	RE53215	PISTON-LINER KIT	6	(PISTON MARKED) RE57949 AND WHITE DOT) (LINER MARKED E)
11	R81276	SHIM	AR	0.05 mm
11	R81277	SHIM	AR	0.10 mm



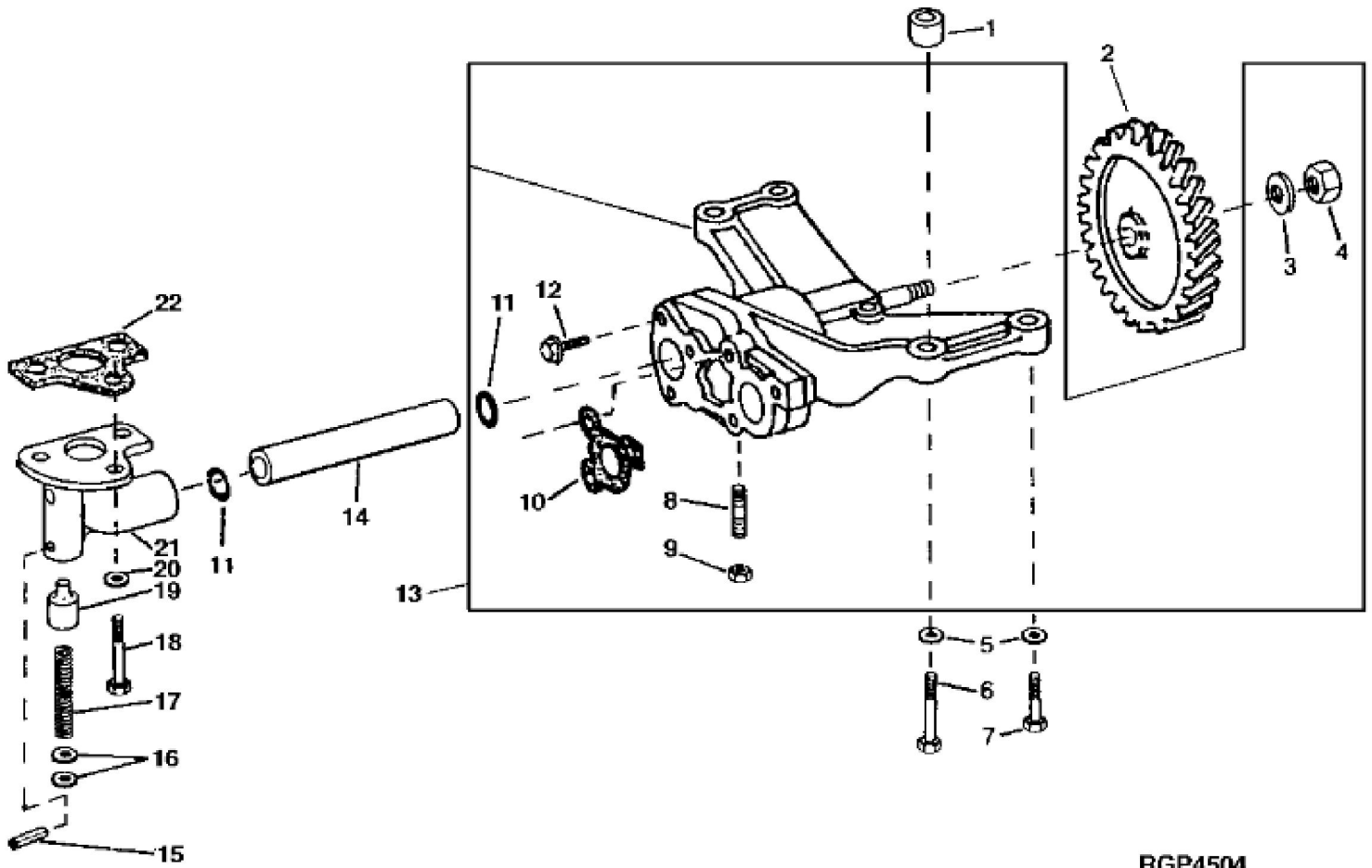
**Suggest:**

**For more complete manuals. Please go to the home page.**

**<https://www.ebooklibonline.com>**

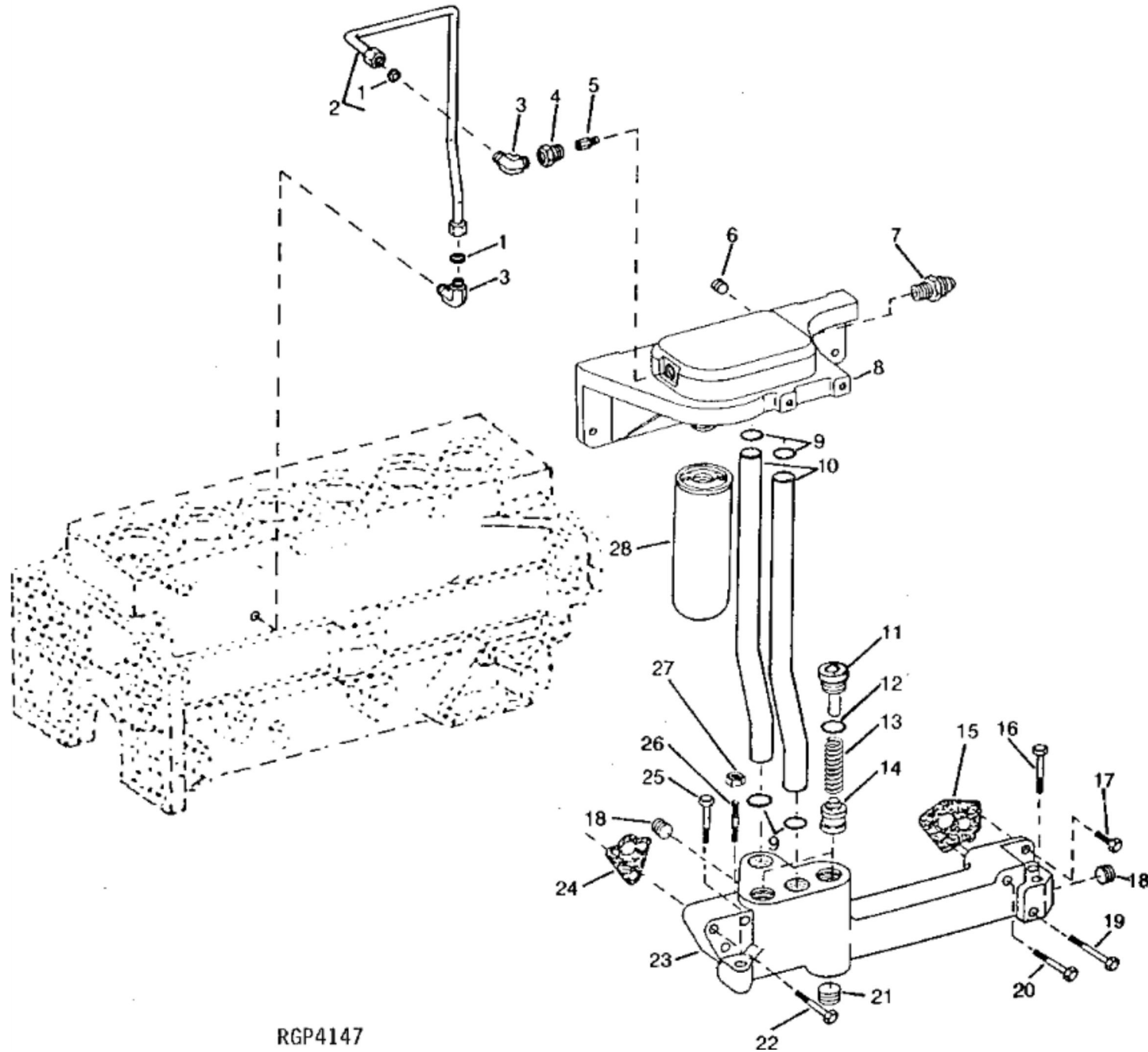
**If the above button click is invalid. Please download this document first, and then click the above link to download the complete manual.**

**Thank you so much for reading**



RGP4504

KEY	PART NO.	PART NAME	QTY	REMARKS
1	R500642	BUSHING	2	(SUB FOR R62930, THIS APPLICATION)
2	R62938	GEAR	1	
3	T21242	WASHER	1	
4	14H826	NUT	1	1/2"
5	R57696	WASHER	4	
6	19H2549	CAP SCREW	2	3/8" X 1-7/8"
7	19H3219	CAP SCREW	2	3/8" X 1-3/8"
8	22H1040	SET SCREW	1	5/16" X 1-1/4"
9	14H785	NUT	1	5/16"
10	R100569	GASKET	1	
11	R71732	O-RING	2	
12	R104628	SCREW	2	
12	R104628	SCREW	3	(OIL PUMP INTAKE TO COVER)
13	RE507076	OIL PUMP	1	NLA (MARKED R504028) (ORDER SE500877)
13	SE500877	OIL PUMP REMAN	1	(REMAN FOR RE507076)
13	RE60622	OIL PUMP	1	NLA (MARKED R124328 OR R62946) (SUB FOR RE44118) (ORDER SE501063)
13	SE501063	OIL PUMP REMAN	1	(REMAN FOR RE60622 OR RE44118)
14	R62947	TUBE	1	
15	34H283	SPRING PIN	1	3/16" X 1-1/8"
16	24H1287	WASHER	3	9/32" X 5/8" X 0.065"
17	T31636	SPRING	1	
18	19H3483	CAP SCREW	3	3/8" X 1-1/8"
19	R63532	VALVE	1	
20	24M7239	WASHER	3	10.700 X 21 X 2.500 mm, (SUB FOR M72490)
21	R82177	HOUSING	1	
22	R520576	GASKET	1	(SUB FOR R69418)



RGP4147

**<https://www.ebooklibonline.com>**

Hello dear friend!

Thank you very much for reading.

Enter the link into your browser.

The full manual is available for immediate download.

**<https://www.ebooklibonline.com>**