

KEY	PART NO.	PART NAME	QTY	REMARKS
1	.....	CYLINDER BLOCK	1	MARKED R534172; ORDER RE545935
2	RE505232	FITTING	1	
3	51M7045	O-RING	1	19.300 X 2.200 mm
4	A120R	DOWEL PIN	4	
5	RE71255	PIPE PLUG	5	
6	R116466	PLUG	1	
7	R119874	BUSHING	1	
8	B153R	DOWEL PIN	2	
9	RE505501	BLEED VALVE	1	
10	R131425	COMPRESSION SPRING	1	
11	R121043	VALVE	1	(By Pass)
12	R111137	SPRING	1	
13	R115299	BUSHING	6	
14	R535005	CAP SCREW	10	
15	R536082	BEARING CAP	4	MARKED R536083; SUB FOR APPL R114241
16	R535004	BEARING CAP	1	MARKED R536083; SUB FOR APPL R114240
17	15H695	PIPE PLUG	1	3/8"
18	RE539115	FITTING	2	
19	51M7043	O-RING	1	15.300 X 2.200 mm
20	RE539114	FITTING	3	
21	51M7041	O-RING	1	11.300 X 2.200 mm
22	RE508185	FITTING	2	
23	U13639	O-RING	1	
24	T18891	PLUG	2	
25	R97185	O-RING	1	
26	R131182	ORIFICE	4	
27	RE63674	VALVE	1	

**<https://www.ebooklibonline.com>**

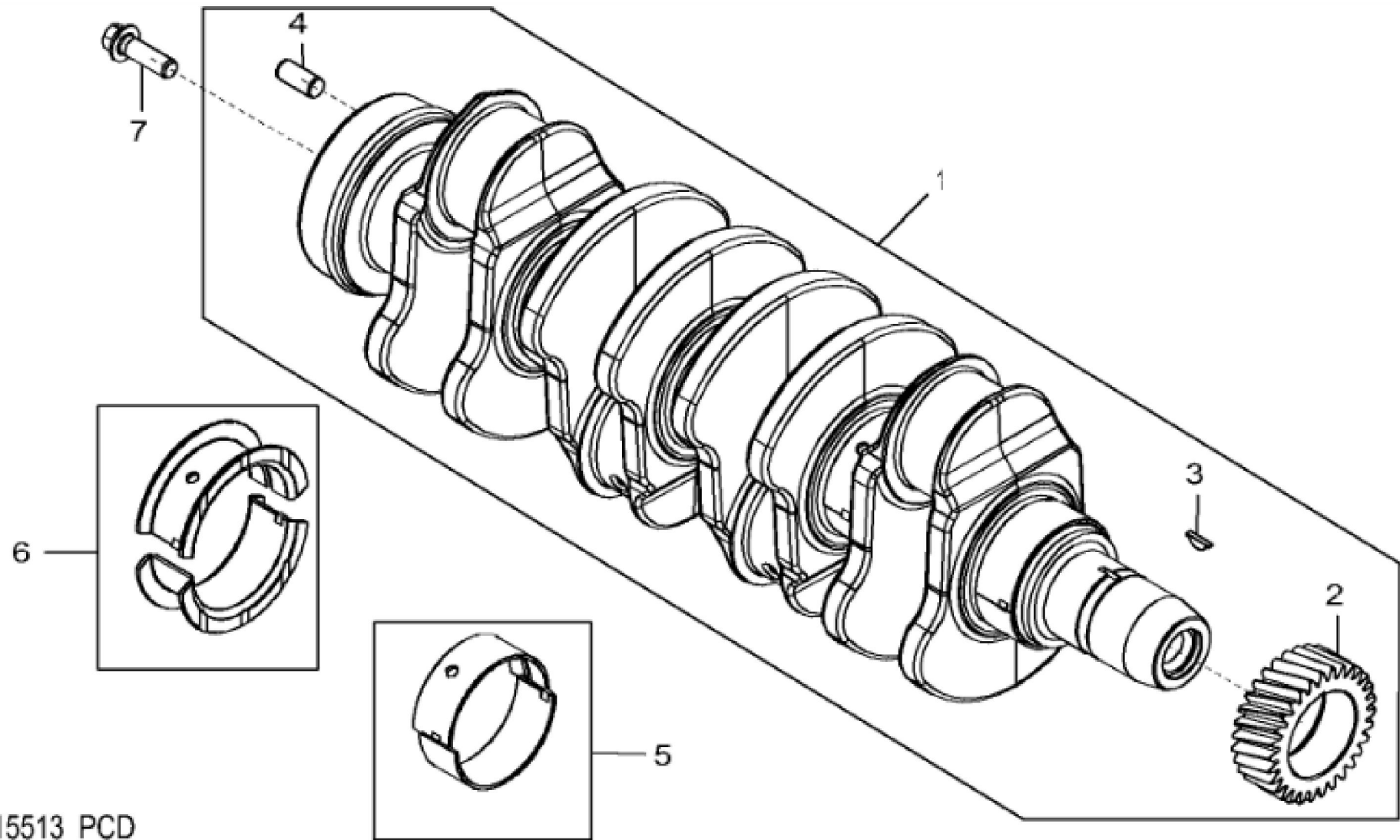
Hello dear friend!

Thank you very much for reading.

Enter the link into your browser.

The full manual is available for immediate download.

**<https://www.ebooklibonline.com>**



4715\_RE515513\_PCD

John Deere > Construction And Forestry >DOZER, CRAWLER >450K - DOZER, CRAWLER >450K Crawler Dozer (PIN: 1T0450KX\_ F304771- ) >04B ENGINE 4045HT098-DZ107345 >0400B ENGINE 4045HT098-DZ107345 4045HT098 >ST275044 - 4715 CRANKSHAFT AND BEARINGS

KEY	PART NO.	PART NAME	QTY	REMARKS
1	RE506195	CRANKSHAFT	1	(Grinding Guidelines : See CTM104) (Iron) ALSO ORDER RE538097 AND RE44574
1	SE501656	CRANKSHAFT REMAN	1	(With Bearings) REMAN FOR RE506195
2	R120631	GEAR	1	Z = 30
3	R505609	SHAFT KEY	1	
4	A120R	DOWEL PIN	1	
5	RE65165	BEARING KIT	4	STD KIT, MARKED R123561 AND R123562
5	RE65911	BEARING	1	US -0.254 MM , MARKED R130576 AND R130577
6	RE65168	BEARING KIT	1	STD KIT, MARKED R123563 AND R123564
6	RE65912	THRUST BEARING	1	US -0.254MM , MARKED R130576 AND R130577
7	R135918	BOLT	4	



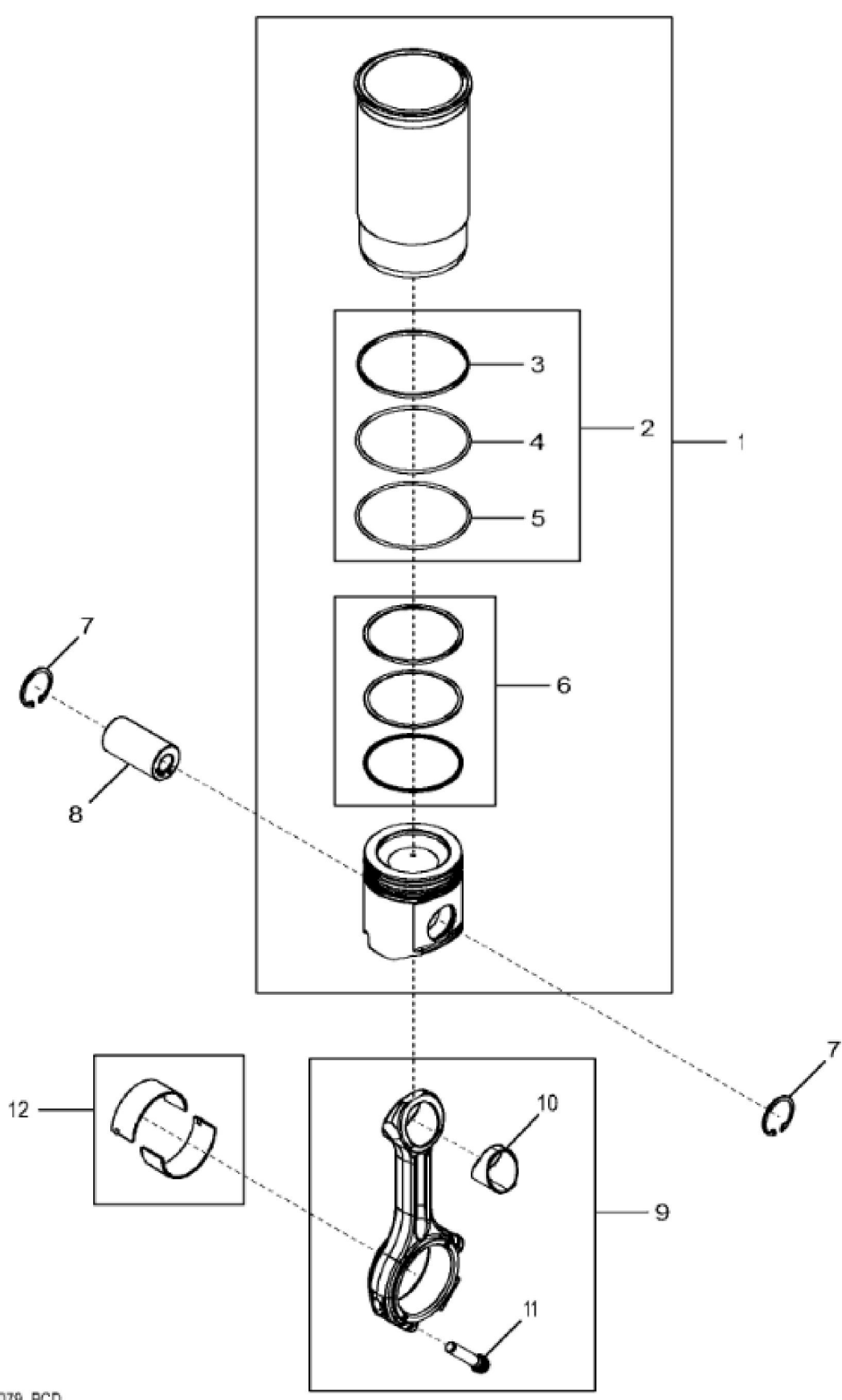
**Suggest:**

**For more complete manuals. Please go to the home page.**

**<https://www.ebooklibonline.com>**

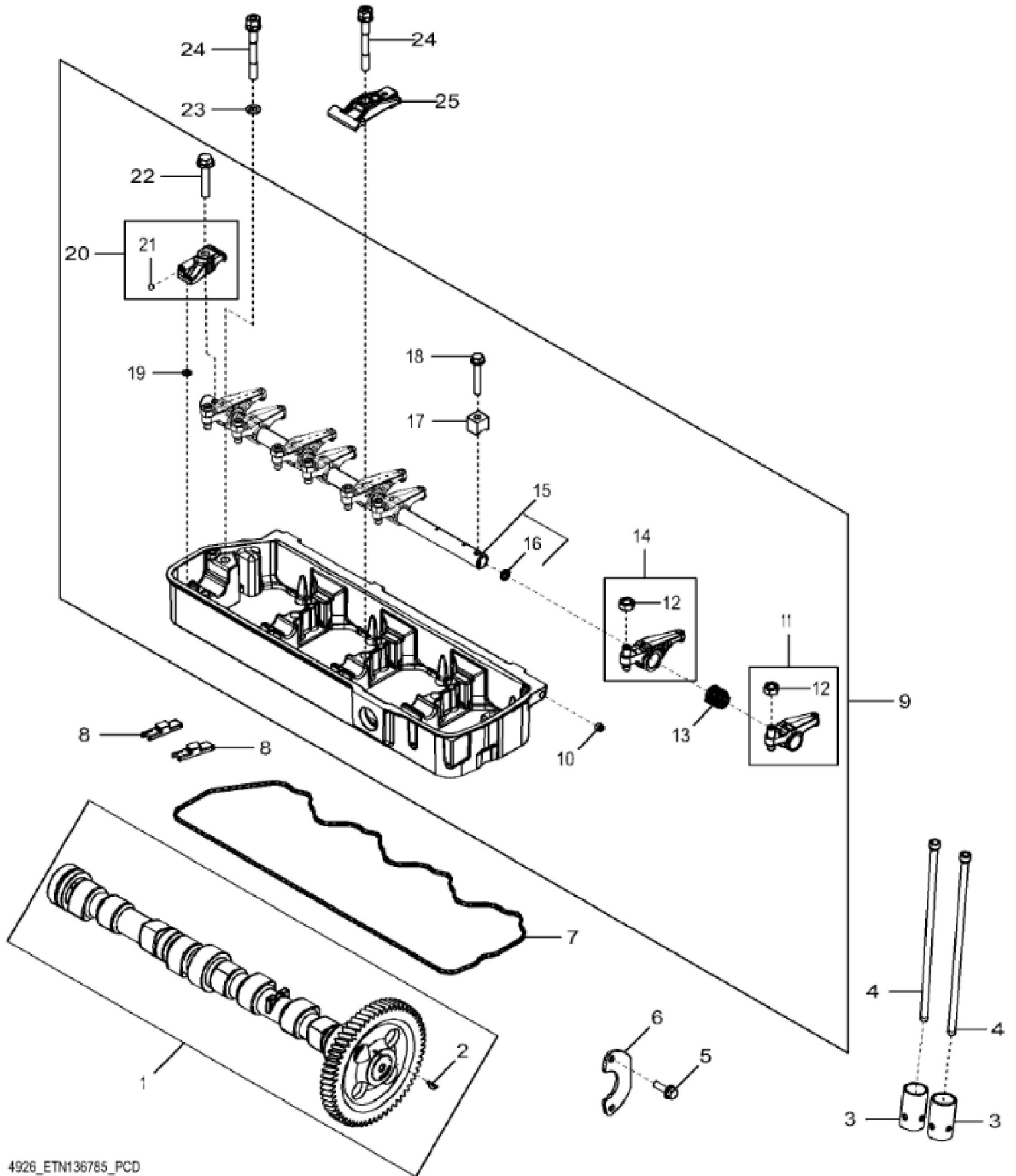
**If the above button click is invalid. Please download this document first, and then click the above link to download the complete manual.**

**Thank you so much for reading**



John Deere > Construction And Forestry >DOZER, CRAWLER >450K - DOZER, CRAWLER >450K Crawler Dozer (PIN: 1T0450KX\_ F304771- ) >04B ENGINE 4045HT098-DZ107345 >0400B ENGINE 4045HT098-DZ107345 4045HT098 >ST813409 - 4872 CONNECTING RODS AND PISTONS

KEY	PART NO.	PART NAME	QTY	REMARKS
1	RE565583	PISTON-LINER KIT	4	PISTON MARKED RE556803
2	AR65507	O-RING KIT	4	
3	R48767	PACKING	4	
4	R26121	O-RING	4	
5	R55453	O-RING	4	
6	DZ104221	PISTON RING KIT	4	
7	R54114	SNAP RING	8	
8	R502755	PISTON PIN	4	
9	RE500608	CONNECTING ROD	4	
9	SE501094	CONNECTING ROD REMAN	AR	REMAN FOR RE500608
10	R114082	BUSHING	4	
11	R501124	SCREW	8	
12	RE65908	BEARING KIT	4	KIT; (2) R113698



**<https://www.ebooklibonline.com>**

Hello dear friend!

Thank you very much for reading.

Enter the link into your browser.

The full manual is available for immediate download.

**<https://www.ebooklibonline.com>**